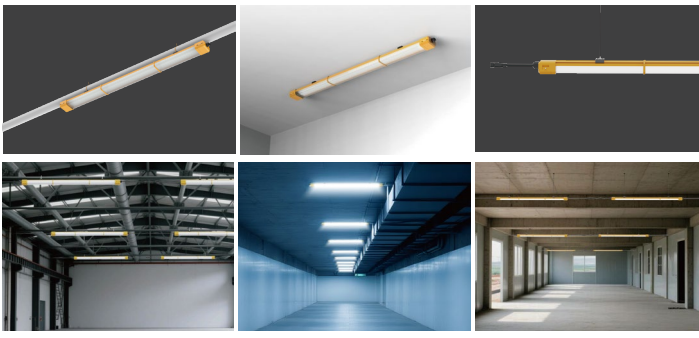
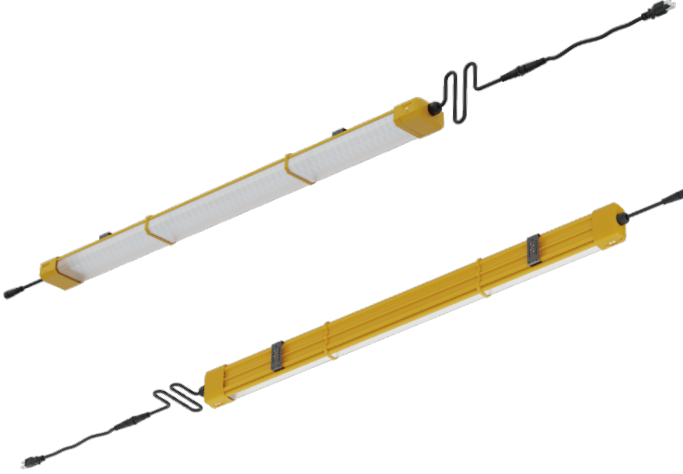


PROJECT: \_\_\_\_\_  
 DATE: \_\_\_\_\_  
 TYPE: \_\_\_\_\_  
 PREPARED BY: \_\_\_\_\_

# T35 Linear Work Light



## Application Scenarios

The T35 linear work light features wiring compartment with integrated terminals, allowing for quick and easy installation in a variety of temporary work environments.

## Highlights

- \* The wiring compartment is equipped with QC terminals, facilitating rapid installation and connection.
- \* Supports a maximum of 14 units connected in series at 277V, up to 1260W.
- \* Features a milky white PC diffuser that ensures uniform and soft light distribution.
- \* Strong, durable, lightweight construction.
- \* Fitted with M15 threaded waterproof connectors, facilitating easy connection of multiple units.
- \* High-efficiency and stable LED light sources.
- \* Multiple Installation Options: Ceiling, Sling, Secured with nylon zip ties.
- \* 3-year Warranty.

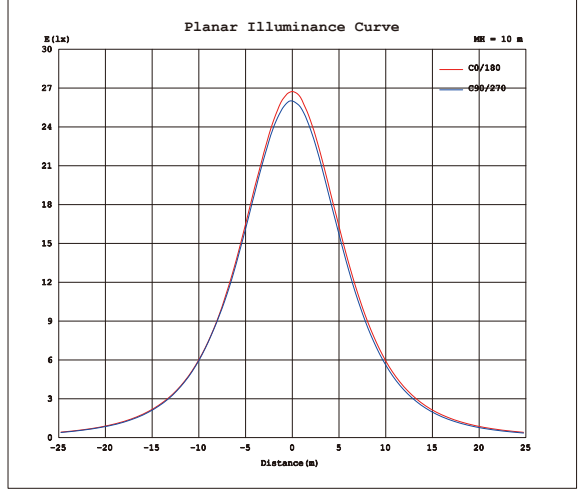
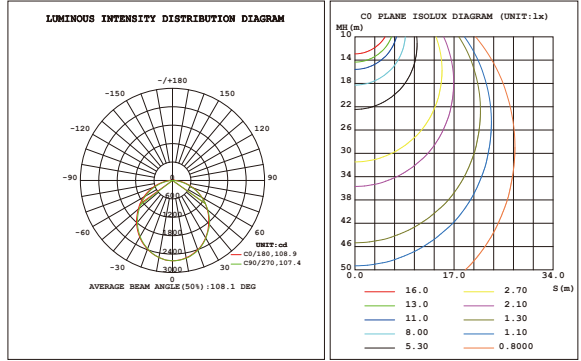


## Features

- Operating Temperature: 5°F~113°F
- Mounting Options: Surface Mount and Suspended Mount
- Mercury Free and UV Free
- RoHS Compliant
- IP65 Rated, Wet Location
- UL 1598 Certified

## Light Distribution Curve

Test: 120V

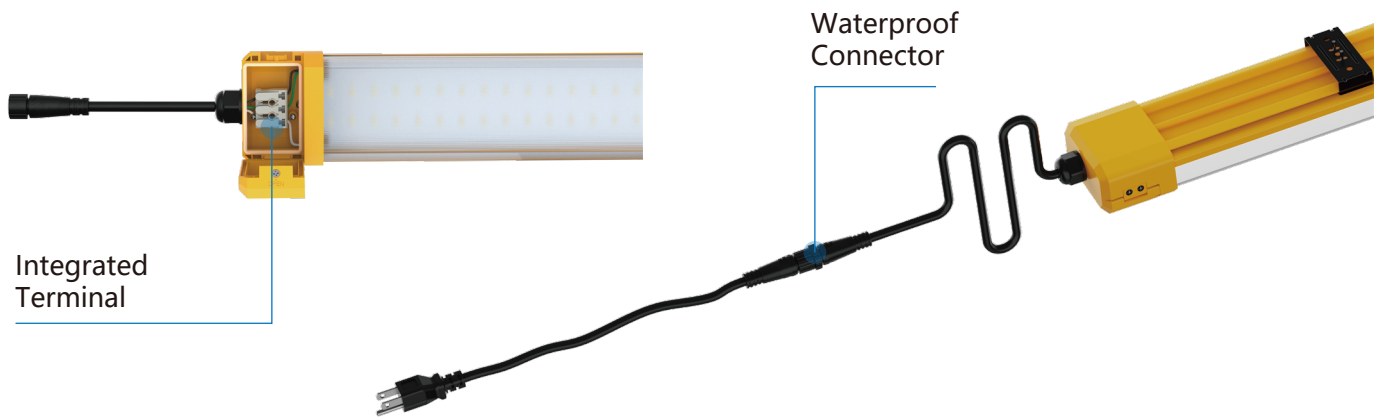


CLASS	CLASS	2000	1000	500	<=500
2-15	A				
1-30	B				
1-80	C				
2-200	D				
3-300	E				

LUMINANCE (cd/m²)	CS/180	CS/270
85	2243514	1555474
80	2046764	1478380
75	2100911	1478391
70	2163271	2003990
65	2244634	2272941
60	2270574	2384653
55	2322030	2257911
50	2388497	2324128
45	2404783	2382165

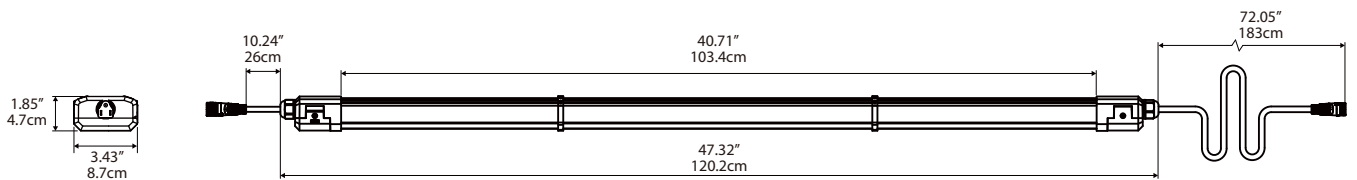
## Constructions



**6pcs @120V, 12pcs@240V, 14pcs@277v**



## Dimensions Unit: in / cm



## Specifications

Catalog Number	Voltage	Connect Limit	CCT	Efficacy	Lumens	Surge Protection	Operating Temp	IP Rated	Certification	Warranty
T35-90W-01	120V	6pcs	5000K	115 Lm/W ~ 120 Lm/W	10350 Lm~10800 Lm	2KV	5°F~113°F	IP65	UL FCC	3 Years
	240V	12pcs								
	277V	14pcs								

Commercial/Industrial Warranty: This product is warranted for 3 years from the date of purchase.

## Packing

Catalog Number	N.W per lamp (lbs=kgx2.2)	G.W per carton (lbs=kgx2.2)	Color box size (x0.0393=inch)	Carton size (x0.0393=inch)	Quantity per carton	20'GP	40'HQ
T35-90W-01	0.9 kg	9.8 kg	1300*97*52MM	1310*210*223MM	8 pcs/carton	3696 PCS	8640 PCS

