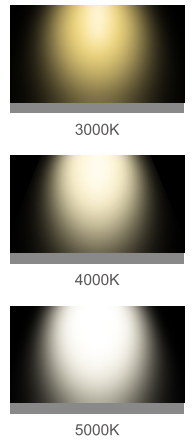
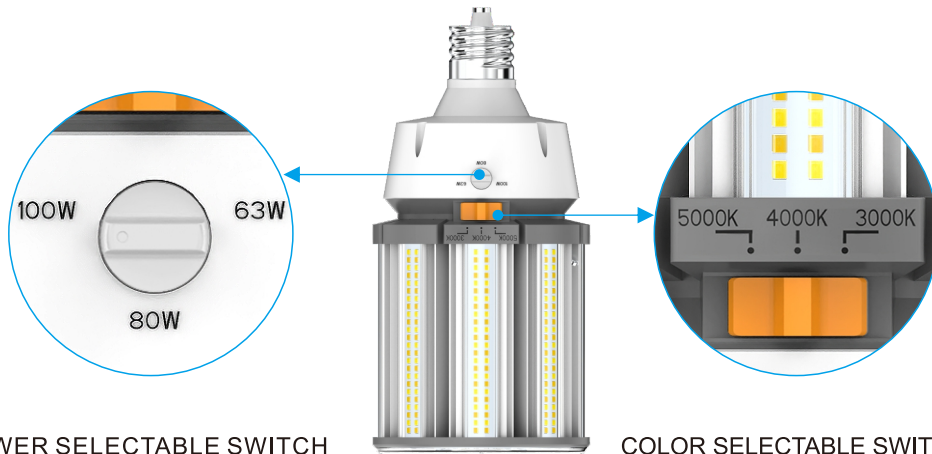
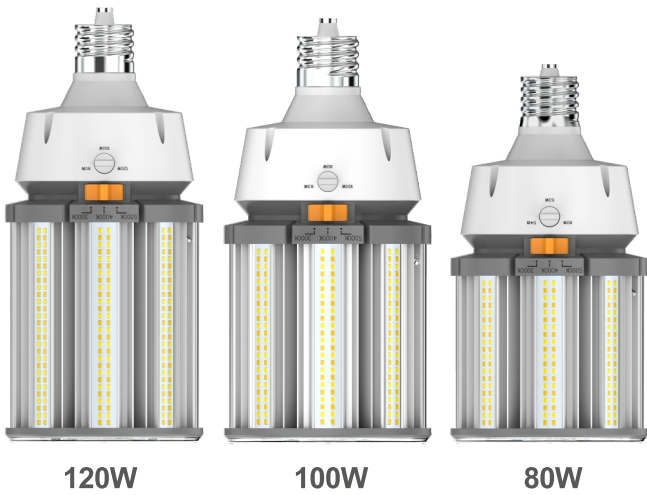


# GKS39-30

80W 100W 120W

# LED CORN LAMP

CCT Selectable



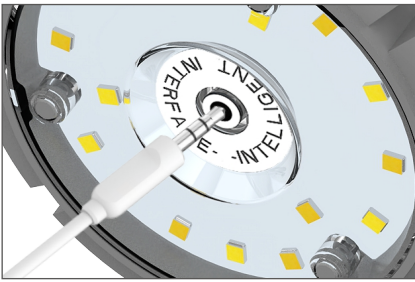
POWER SELECTABLE SWITCH

COLOR SELECTABLE SWITCH

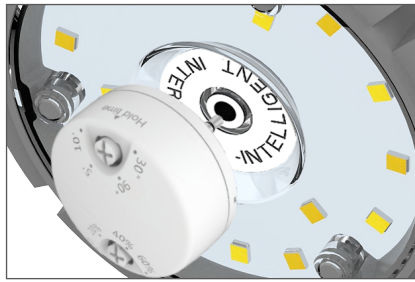
## Specifications

Model No.	Power	LED Chip	PF	CRI	Voltage	CCT	Lumen	Operation temp (°C/°F)	Certificate	Equal to
GKS39-80W-30	54W 63W 80W	2835	≥0.9	≥80	100-277VAC 50-60Hz	3000K±300K 4000K±300K 5000K±300K	7290lm ± 10% ~ 11600lm ± 10%	minus 30~60°C minus 22~140°F	LM80 DLC cUL/UL LM79	320W HPS MHL
GKS39-100W-30	63W 80W 100W	2835	≥0.9	≥80	100-277VAC 50-60Hz	3000K±300K 4000K±300K 5000K±300K	8505lm ± 10% ~ 14500lm ± 10%	minus 30~60°C minus 22~140°F	LM80 DLC cUL/UL LM79	400W HPS MHL
GKS39-120W-30	80W 100W 120W	2835	≥0.9	≥80	100-277VAC 50-60Hz	3000K±300K 4000K±300K 5000K±300K	10800lm ± 10% ~ 17400lm ± 10%	minus 30~60°C minus 22~140°F	LM80 DLC cUL/UL LM79	500W HPS MHL

## Features



3 in 1 dimming: 0-10V dimming  
PWM dimming resistance dimming.

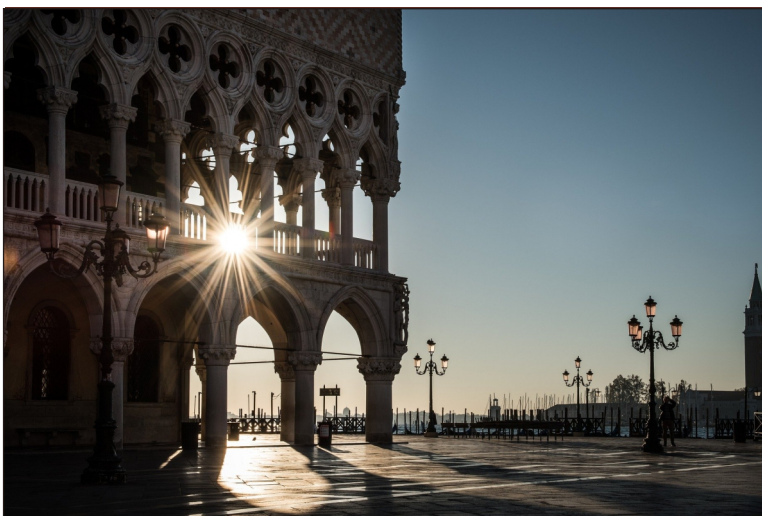


Compatible with MW sensor  
Daylight sensor PIR sensor WIFI sensor



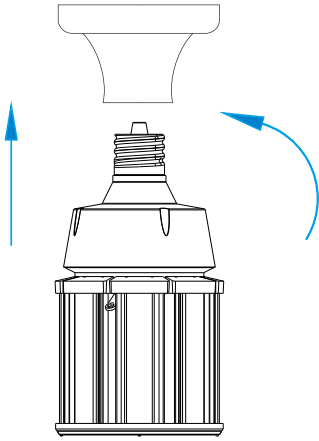
LED Chip:LUMILEDS 2835

## Application



# Installation

## Lamp Installation



### Step:1

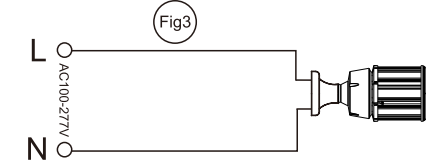
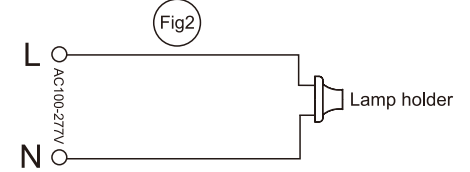
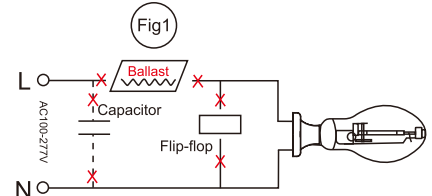
Shown as Figure 1  
Remove old ballast or disconnect from existing lamp holder. Remove and dispose of ballast in correct manner.  
(North America 100-277VAC)

### Step:2

Shown as Figure 2  
Reconnect directly to the existing lamp holder.  
(North America 100-277VAC)

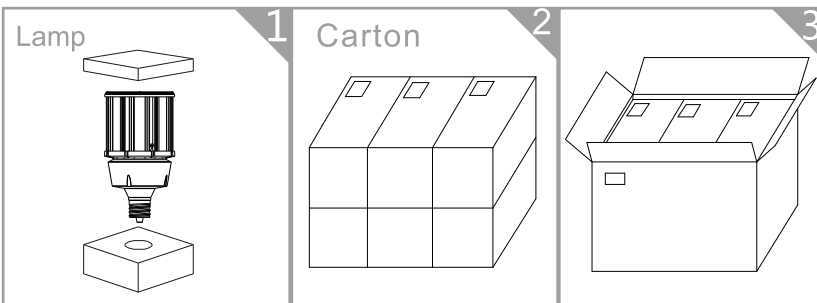
### Step:3

Shown as Figure 3  
Install new LED replacement lamp. Please make sure the old fitting is correctly earth.  
(North America 100-277VAC)



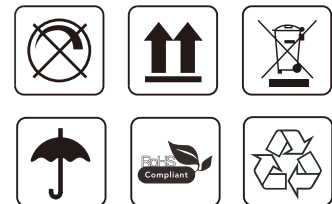
# Packing

Wattes	Inner box size(mm) (x0.0393=inch)	N.W per lamp(kg) (lbs=kgx2.2)	G.W per box(kg) (lbs=kgx2.2)	G.W per Carton(kg) (lbs=kgx2.2)	Carton size(mm) (x0.0393=inch)	Quantity per carton
80W	140*140*295mm	1.33kg	1.50kg	10.59kg	440*305*300mm	6pcs
100W	140*140*310mm	1.45kg	1.62kg	11.37kg	440*320*300mm	6pcs
120W	140*140*330mm	1.58kg	1.76kg	12.32kg	440*340*300mm	6pcs



Pack Quantity:

**6pcs**



## ⚠ CAUTIONS

- Risk of electric shock. Do not use where directly exposed to water.
- 80W 100W 120W are suitable for using in totally enclosed fixtures, but please do not install horizontally.
- Don't take apart the lamps without our permit.
- Please read carefully manual before installation.