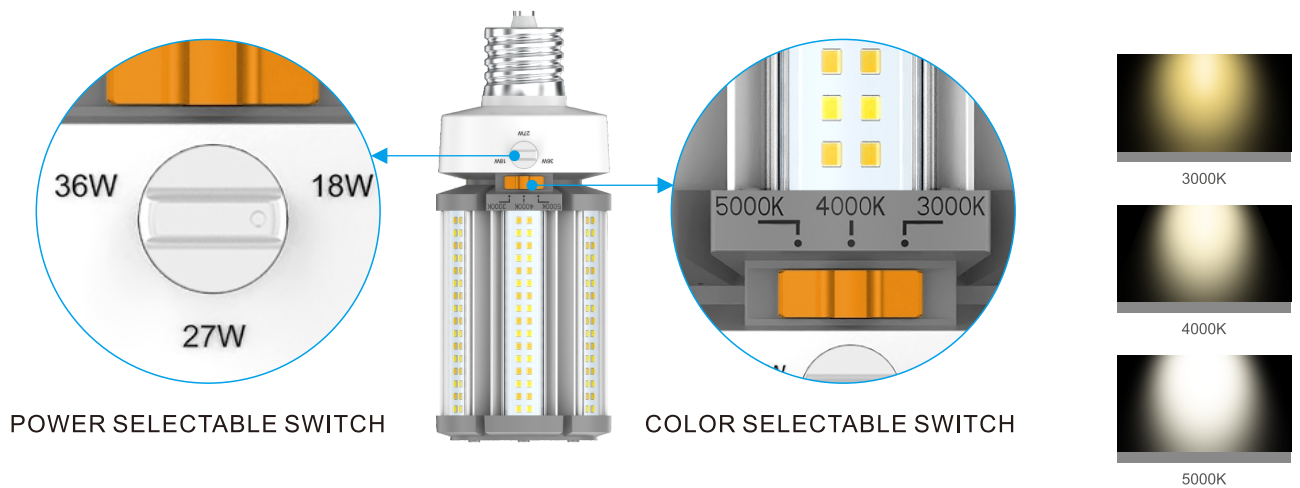


# GKS39-30

63W 54W 45W 36W

# LED CORN LAMP

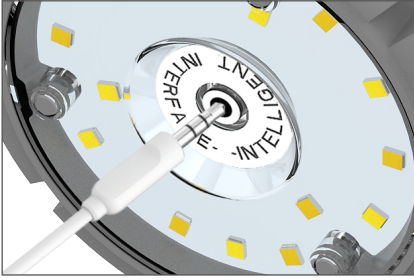
CCT Selectable



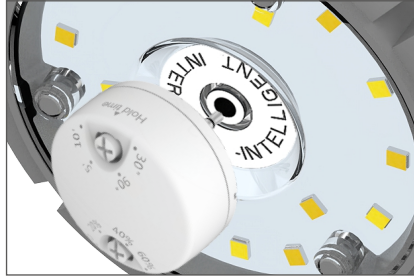
## Specifications

Model No.	Power	LED	PF	CRI	Voltage	CCT	Lumen	Opertion temp (°C / °F)	Certificate	Equal to
GKS39-36W-30	18W 27W 36W	2835	≥0.9	≥80	100-277VAC 50-60Hz	3000K±300K 4000K±300K 5000K±300K	2430lm±10% ~ 5220lm±10%	minus 30~60°C minus 22~140°F	LM80 DLC CUL UL LM79	150W HPS MHL
GKS39-45W-30	27W 36W 45W	2835	≥0.9	≥80	100-277VAC 50-60Hz	3000K±300K 4000K±300K 5000K±300K	3645lm±10% ~ 6525lm±10%	minus 30~60°C minus 22~140°F	LM80 DLC CUL UL LM79	175W HPS MHL
GKS39-54W-30	36W 45W 54W	2835	≥0.9	≥80	100-277VAC 50-60Hz	3000K±300K 4000K±300K 5000K±300K	4860lm±10% ~ 7830lm±10%	minus 30~60°C minus 22~140°F	LM80 DLC CUL UL LM79	200W HPS MHL
GKS39-63W-30	45W 54W 63W	2835	≥0.9	≥80	100-277VAC 50-60Hz	3000K±300K 4000K±300K 5000K±300K	6075lm±10% ~ 9135lm±10%	minus 30~60°C minus 22~140°F	LM80 DLC CUL UL LM79	250W HPS MHL

## Features



3 in 1 dimming: 0-10V dimming  
PWM dimming resistance dimming.



Compatible with MW sensor  
Daylight sensor PIR sensor WIFI sensor



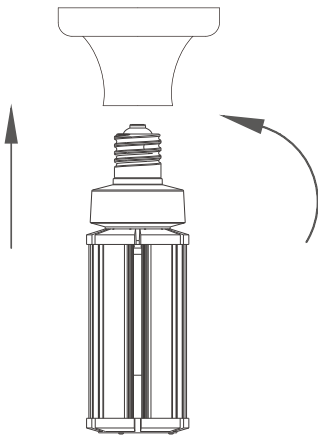
LED Chip: LUMILEDS 2835

## Application



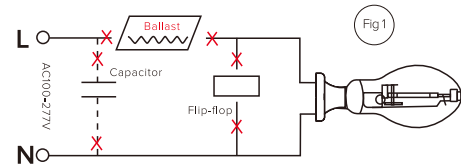
# Installation

## Lamp Installation



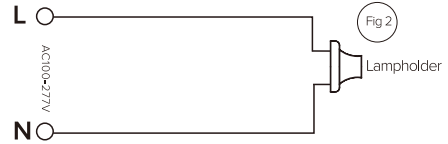
### Step: 1

Shown as Figure 1  
Remove old ballast or disconnect from existing lamp holder. Remove and dispose of ballast in correct manner.  
(North America 100-277VAC)



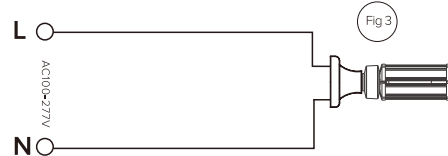
### Step: 2

Shown as Figure 2  
Reconnect directly to the existing lamp holder.  
(North America 100-277VAC)



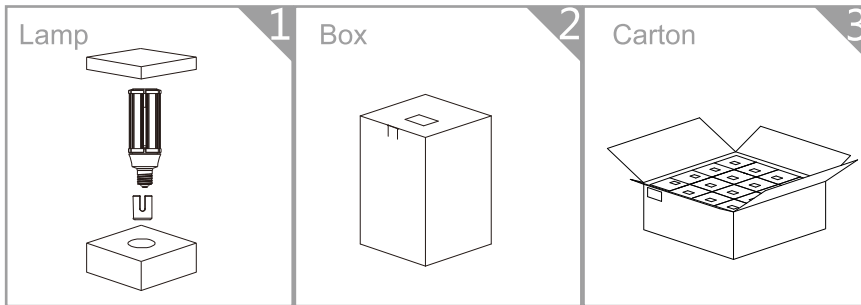
### Step: 3

Shown as Figure 3  
Install new LED replacement lamp. Please make sure the old fitting is correctly earth.  
(North America 100-277VAC)

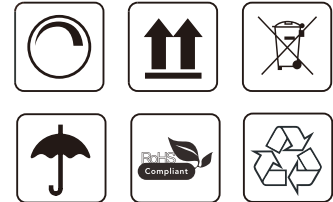


# Packing

Wattes	Inner box size(mm) (x0.0393=inch)	N.W per lamp(kg) (lbs=kgx2.2)	G.W per box(kg) (lbs=kgx2.2)	G.W per Carton(kg) (lbs=kgx2.2)	Carton size(mm) (x0.0393=inch)	Quantity per carton
36W	93*93*249mm	0.67kg	0.78kg	13.50kg	395*390*264mm	16pcs
45W	93*93*279mm	0.80kg	0.88kg	15.50kg	395*390*294mm	16pcs
54W	93*93*279mm	0.80kg	0.88kg	15.50kg	395*390*294mm	16pcs
63W	93*93*294mm	0.82kg	0.96kg	16.50kg	395*390*309mm	16pcs



Pack Quantity:  
**16pcs**



## ! CAUTIONS

- Risk of electric shock. Do not use where directly exposed to water.
- 36W 45W 54W 63W are suitable for using in totally enclosed fixtures.
- Don't take apart the lamps without our permit.
- Please read carefully manual before installation.