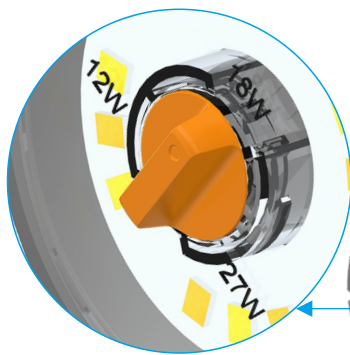
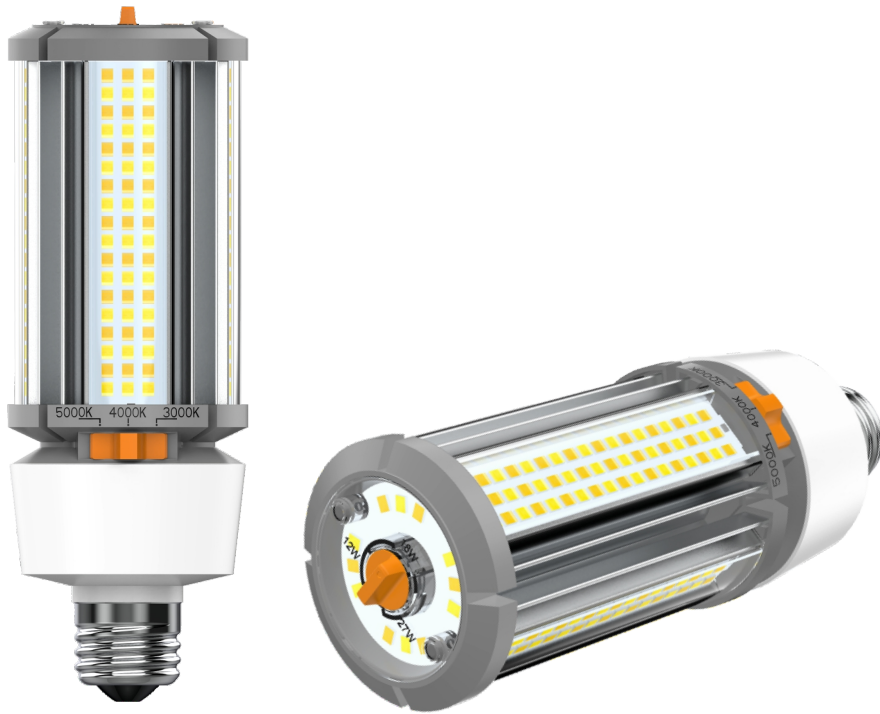


# GKS39-30

18W 27W

# LED CORN LAMP

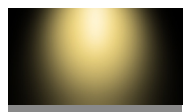
CCT Selectable



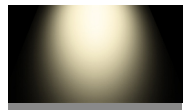
POWER SELECTABLE SWITCH



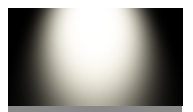
COLOR SELECTABLE SWITCH



3000K



4000K



5000K

## Specifications

Model No.	Power	led	PF	CRI	Voltage	CCT	Lumen	Operation temp (°C/°F)	Certificate	Equal to
GKS39-18W-30	9W 12W 18W	2835	≥0.9	≥80	100~277VAC 50~60Hz	3000K±300K 4000K±300K 5000K±300K	1215lm±10% ~2610lm±10%	minus 30~60 °C minus 22~140 °F	LM80 DLC cUL/UL LM79	75W HPS MHL
GKS39-27W-30	12W 18W 27W	2835	≥0.9	≥80	100~277VAC 50~60Hz	3000K±300K 4000K±300K 5000K±300K	1620lm±10% ~3915lm±10%	minus 30~60 °C minus 22~140 °F	LM80 DLC cUL/UL LM79	100W HPS MHL

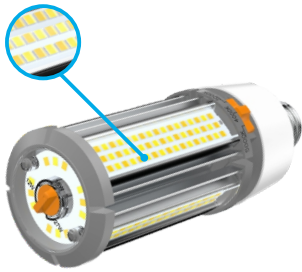
## Features



REPLACE



2835



Omnidirectional type



Flame retardant material



## Advantages



High lumen efficacy



New production process:  
ultrasonic without screw



Compact size for more luminaire



Our own driver solution with  
high-quality components  
(Rubycon capacitor)



Less weight



1 Isolated driver, better for heat dissipation



2 New production process:  
ultrasonic without screw



3 High quality driver components:  
Rubycon capacitor (Japan);  
FIRST MOS(USA); MPS IC Chip  
(USA); Galaxy Diodes (biggest in  
China)



4 Driver with heat sink silicone for  
waterproof, dust proof and anti-  
mosquitoes

## Application



Wall pack



Acorn



Canopy



Garage light



Post top



Shoe box



Cobra Head

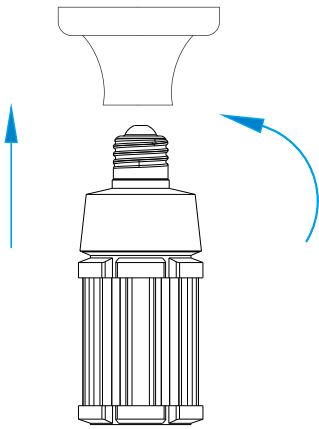


Flood light



# Installation

## Lamp Installation



### Step:1

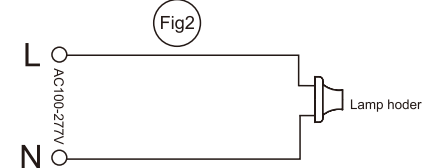
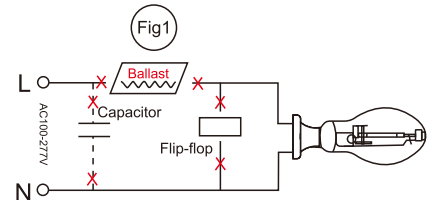
Shown as Figure 1  
Remove old ballast or disconnect from existing lamp holder. Remove and dispose of ballast in correct manner.  
(North America 100-277VAC)

### Step:2

Shown as Figure 2  
Reconnect directly to the existing lamp holder.  
(North America 100-277VAC)

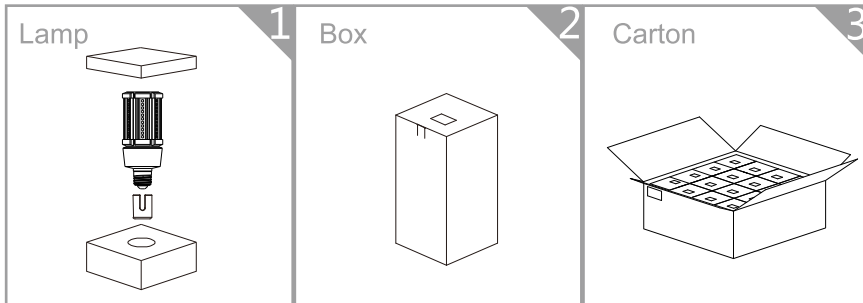
### Step:3

Shown as Figure 3  
Install new LED replacement lamp. Please make sure the old fitting is correctly earth.  
(North America 100-277VAC)

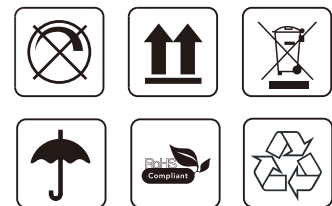


# Packing

Wattes	Inner box size(mm) (x0.0393=inch)	N.W per lamp(kg) (lbs=kgx2.2)	G.W per box(kg) (lbs=kgx2.2)	G.W per Carton(kg) (lbs=kgx2.2)	Carton size(mm) (x0.0393=inch)	Quantity per carton
18W	72*72*210mm	0.26kg	0.33kg	5.68kg	310*305*225mm	16pcs
27 W	72*72*225mm	0.30kg	0.35kg	6.06kg	310*305*240mm	16pcs



Pack Quantity:  
**16pcs**



## CAUTIONS

- Risk of electric shock. Do not use where directly exposed to water.
- Do not use with dimmers, timers, or other control devices.
- 18W 27W are suitable for using in totally enclosed fixtures.
- Don't take apart the lamps without our permit.
- Please read carefully manual before installation.