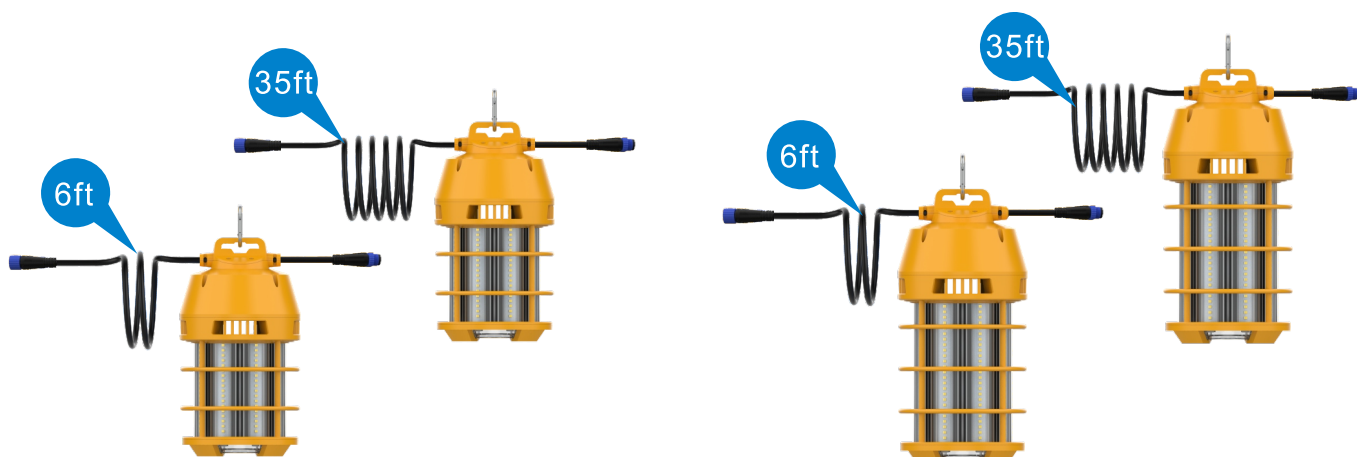


GKT31-03

LED WORK LIGHTS

100W/150W



T31-100W-03

120V Linkable
6 PCS



277V Linkable
12 PCS

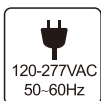


T31-150W-03

120V Linkable
4 PCS



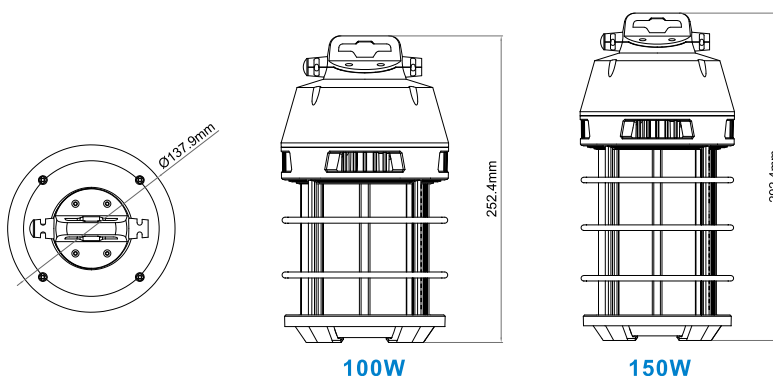
277V Linkable
9 PCS



Specifications

Power	LED Chip	PF	CRI	Voltage	CCT	Lumen	Size mm (x0.0393=inch)	Operating temp (°C / °F)	Beam Angle	Weight (lbs=kgx2.2)	Certificate	Equal to
100W±10%	LUMILEDS 2835	≥0.9	≥80	120-277VAC 50~60Hz	3000-6000K	12000±10%	Φ138*253mm Φ5.43**9.96"	-15°~45°C 5°~113°F	360°	NW: 1.66kg GW: 2.4kg	LM80 CUL UL LM79	400W
150W±10%	LUMILEDS 2835	≥0.9	≥80	120-277VAC 50~60Hz	3000-6000K	18000±10% 20000±10%	Φ138*293mm Φ5.43**11.54"	-15°~45°C 5°~113°F	360°	NW: 1.94kg GW: 2.7kg	LM80 CUL UL LM79	600W

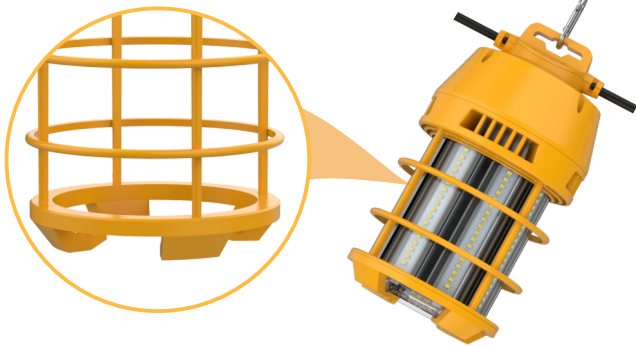
Dimensions



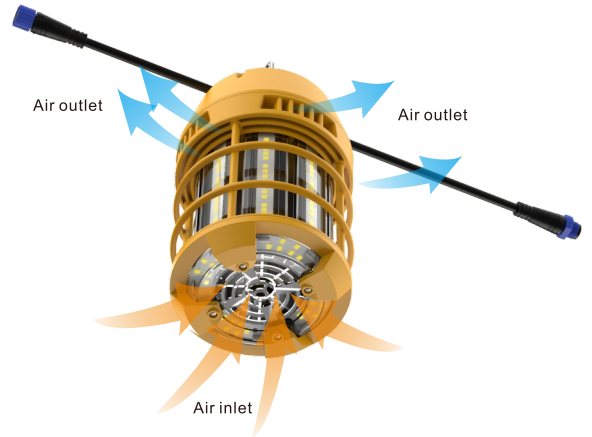
100W

150W

Features



360° plastic wrap



Air convection design with a good heat dissipation

High quality rust-proof buckle



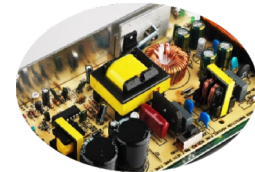
Brand power cable



GK original passive cooling structure



13 years experience in corn lamp, original power supply design



Customised corn lamp bead



PC material

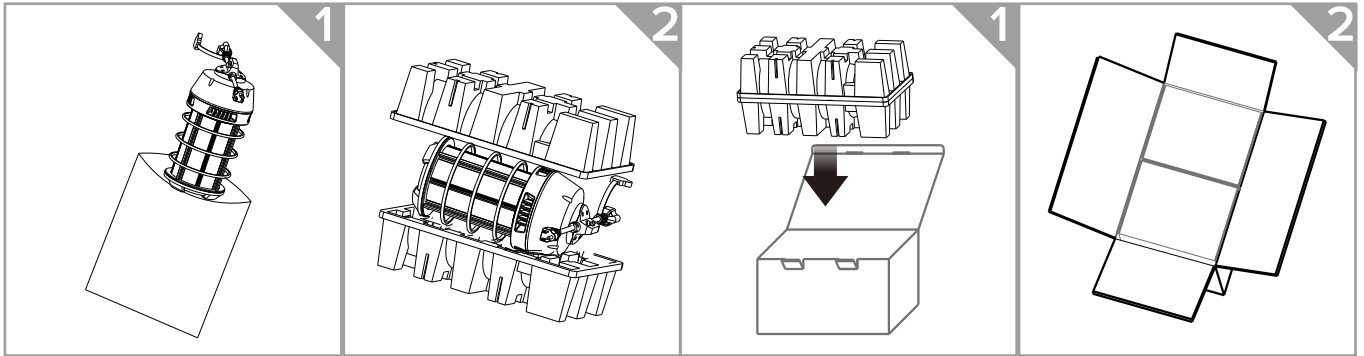


Application



Packing

Wattes	Line length	N.W per lamp(kg) (lbs=kgx2.2)	Inner box size(mm) (x0.0393=inch)	G.W per Carton(kg) (lbs=kgx2.2)	Carton size(mm) (x0.0393=inch)	Quantity per carton
100W	6ft	1.66kg	293*200*160mm	9.9kg	415*308*335mm	4pcs
150W	6ft	1.94kg	333*200*160mm	11.0kg	415*348*335mm	4pcs
100W	35ft	1.95kg	293*245*160mm	12.5kg	505*308*335mm	4pcs
150W	35ft	2.25kg	333*245*160mm	13.5kg	505*348*335mm	4pcs



Pack Quantity: **4PCS**

⚠ CAUTIONS

- Risk of electric shock. Do not use where directly exposed to water.
- Do not power the 120VAC electric tools on this lamp.
- The temporary lighting are non-dimmable.
- Don't take apart the lamps without our permit.
- Please read the instruction manual carefully before installation.

