

LED Panel Light Surface Mount Frame



2x2 Surface Mount Frame for Panels

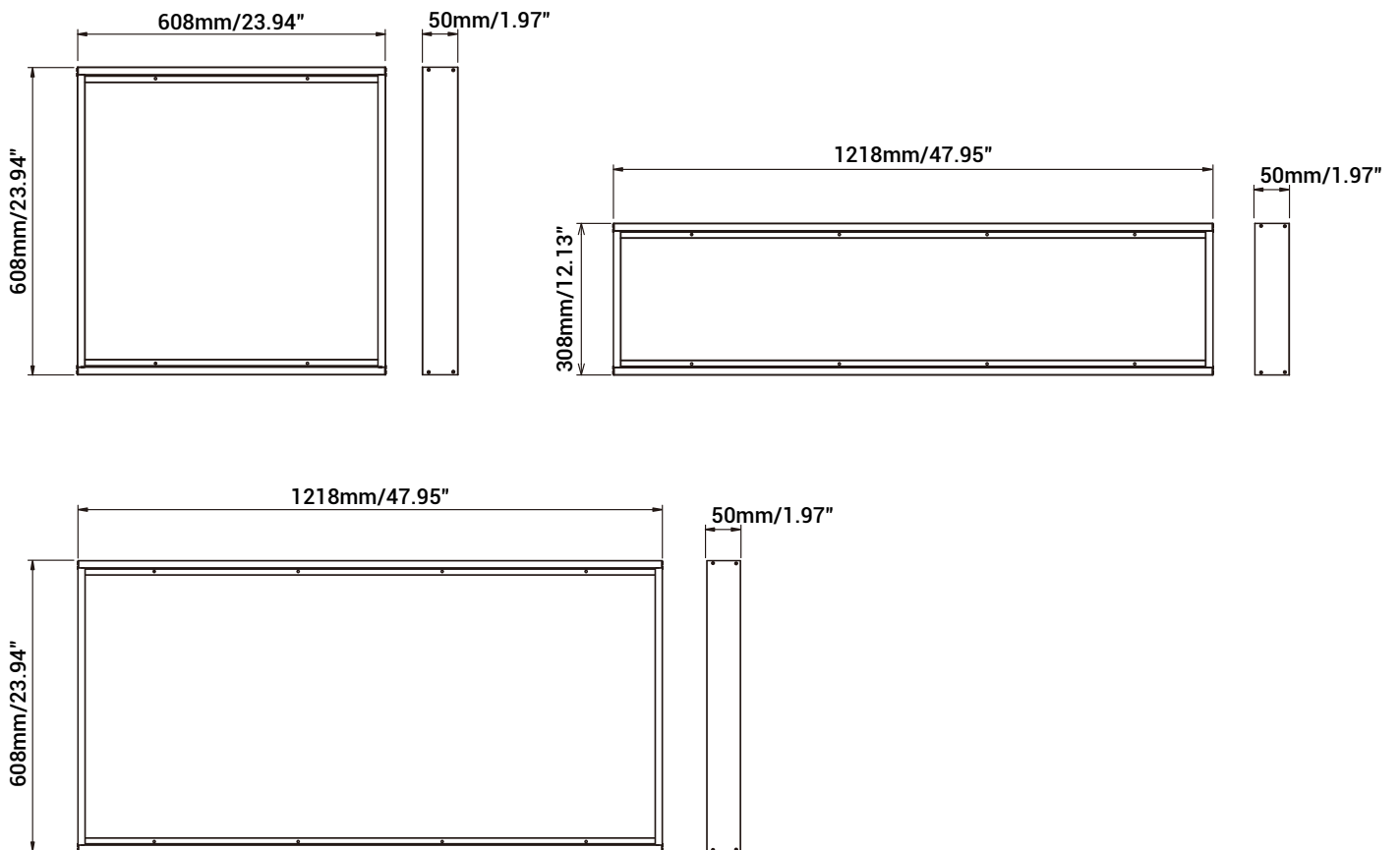


1x4 Surface Mount Frame for Panels



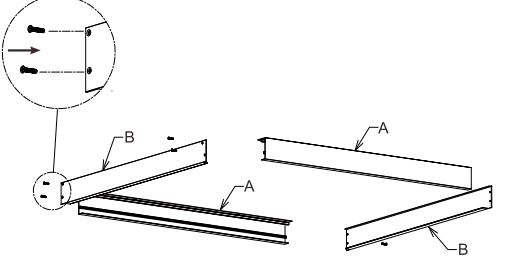
2x4 Surface Mount Frame for Panels

DIMENSIONS



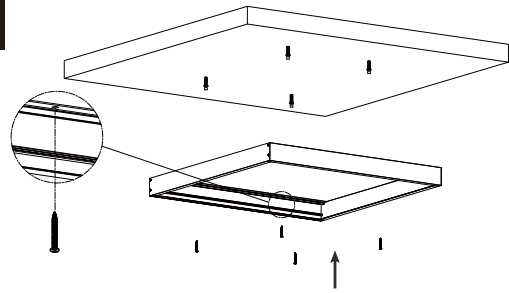
INSTALLATION INSTRUCTION

1



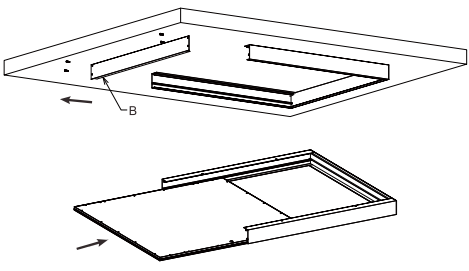
Assemble the surface mounted frame and fix by screws.

2



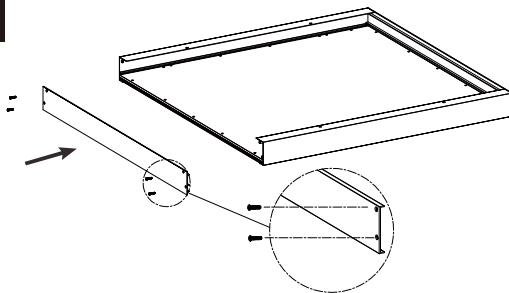
Knock the plastic anchor into ceiling, fix the surface mounted frame on the ceiling by screws.

3



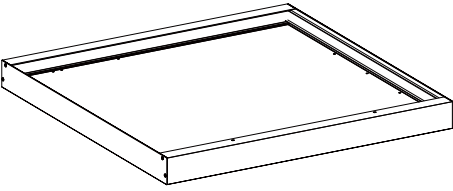
Unscrew the side frame then take out, connect the panel light to power supply, insert the panel light into the frame.

4



Fix the side frame back by screw.

5



Make sure the frame and panel light are firmly fixed, turn on the power.