

V3 Watt&CCT Tunable FLOOD LED LIGHT



CONSTRUCTION:

Heavy die-cast aluminum alloy housing with bronze powder-coated finish. Glass lens.

OPTICALSYSTEM:

High brightness Lumileds chips. High quality tempered glass optics. 120° beam angle.

WARRANTY:

5-year limited warranty. Actual performance may differ as a result of end-user environment and application.

PERFORMANCE

Model NO	Power Switchable	Voltage/CurrentInput			Light Efficiency	Kelvin Options
		120V	277V	347V		
LS3FL-15/20/35W	15W 20W 35W	0.12A/0.2A/0.3A	0.06A/0.07A/0.1A	0.04A/0.05A/0.10A	135LM/W	3000K/4000K/5000K
LS3FL-35/60/80W	35W 60W 80W	0.3A/0.5A/0.6A	0.1A/0.2A/0.3A	0.10A/0.17A/0.23A	135LM/W	3000K/4000K/5000K
LS3FL-100/120/150W	100W 120W 150W	0.8A/1.0A/1.2A	0.3A/0.4A/0.5A	0.28A/0.34A/0.43A	135LM/W	3000K/4000K/5000K

Date: Location:

Product:Project:

Quantity:Catalog#

FEATURES

- Both Power and CCT adjustable
- Easy install Multiple mounts like Knuckle, Yoke or slip filter, easy install.
- Sturdy and aesthetic design, die-casting aluminum alloy.
- IP65 rated. anti-corrosion and rust proof.
- Uniform and wide flood brightness.

SUITABLE APPLICATIONS

- Warehouses
- Factories
- Parking Lots
- Shopping Malls
- Supermarkets
- Logistic Centers

ELECTRICAL:

Available as 120-277V input. -20°C to 60°C,

INSTALLATION&MOUNTING:

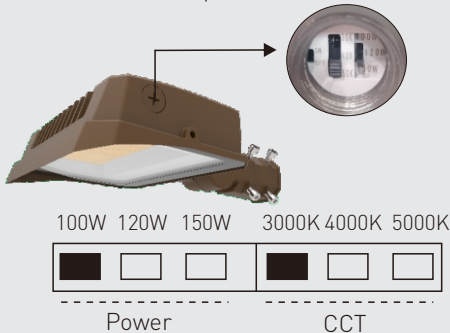
Wall Mounting Or Pipe pole Mounting for easy installation..

V3 Watt&CCT Tunable FLOOD LED LIGHT

Model NO	Wattage	Voltage/CurrentInput			Light Efficiency	Kelvin Options
		120V	277V	347V		
LS3FL-15W	15W	0.12A	0.06A	0.04A	135LM/W	3000K/4000K/5000K
LS3FL-20W	20W	0.20A	0.07A	0.05A	135LM/W	3000K/4000K/5000K
LS3FL-35W	35W	0.30A	0.12A	0.10A	135LM/W	3000K/4000K/5000K
LS3FL-60W	60W	0.50A	0.20A	0.17A	135LM/W	3000K/4000K/5000K
LS3FL-80W	80W	0.60A	0.30A	0.23A	135LM/W	3000K/4000K/5000K
LS3FL-100W	100W	0.80A	0.30A	0.28A	135LM/W	3000K/4000K/5000K
LS3FL-120W	120W	1.0A	0.43A	0.34A	135LM/W	3000K/4000K/5000K
LS3FL-150W	150W	1.25A	0.54A	1.25A	135LM/W	3000K/4000K/5000K

OPTIONAL ACCESSORIES

Open hole for Power Switchable



100W 120W 150W 3000K 4000K 5000K



Power

CCT

The lamps have the function of adjusting power and color temperature

PRODUCT ORDERING GUIDE

LS 3FL- XXW

1 2 3
 LS 3FL - 15W

LS LEDSION

3FL V3 Flood

- 15W Power 15W 20W Power 20W
 35W Power 35W 60W Power 60W
 80W Power 80W 100W Power 100W
 120W Power 120W 150W Power 150W

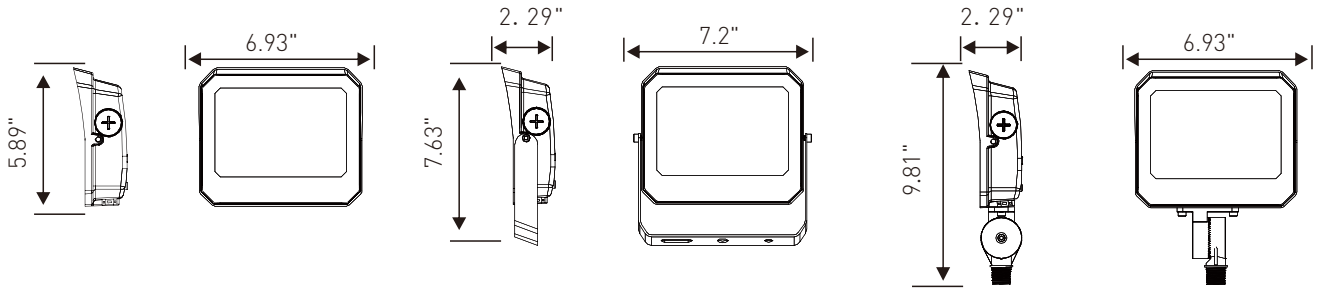
Electric Characteristic

Specification/Model	LS3FL-35/20/15W	LS3FL-80/60/35W	LS3FL-150/120/100W
LED Driver	UL listed CN Brand driver		
Inputpower	35W/20W/15W	80W/60W/35W	150W/120W/100W
Lumensoutput	4725LM/2700LM/2025LM	10800LM/8100LM/4725LM	20250LM/16200LM/13500LM
Eciency	135LM/W	135LM/W	135LM/W
CRI	>72	>72	>72
CCTtunable	30K/40K/50K	30K/40K/50K	30K/40K/50K
Inputvoltage	120-277V/120-347VAC	120-277V/120-347VAC	120-277V/120-347VAC
Lightdistributiontype	120D	120D	120D
Workingtemperature	-20+60°C	-20+60°C	-20+60°C
Junctiontemperature	<75°C	<75°C	<75°C
lampse ciency	≥90%	≥90%	≥90%
Certificate	UL CUL DLC	UL CUL DLC	UL CUL DLC
Equivalent	15-90WMMH/HPS	90-300WMMH/HPS	300-500WMMH/HPS

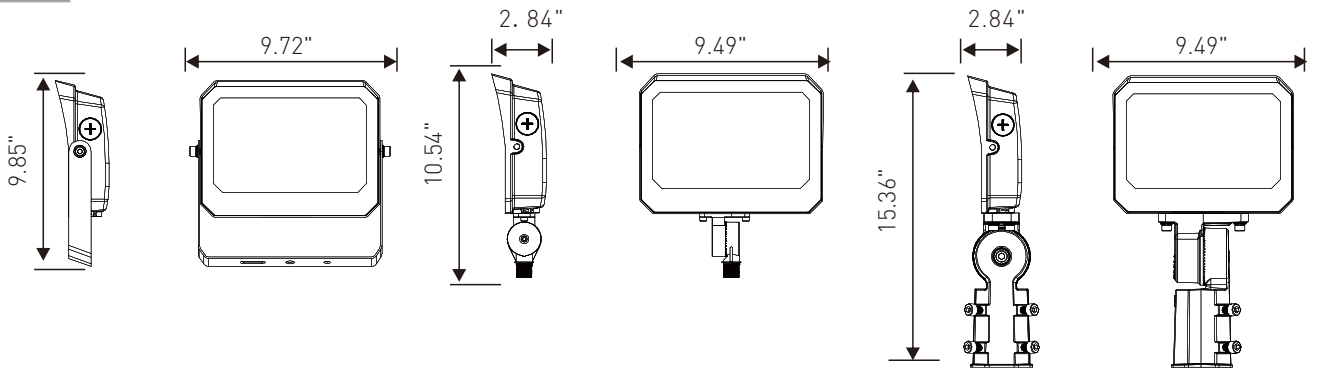
V3 Watt&CCT Tunable FLOOD LED LIGHT

DIMENSION

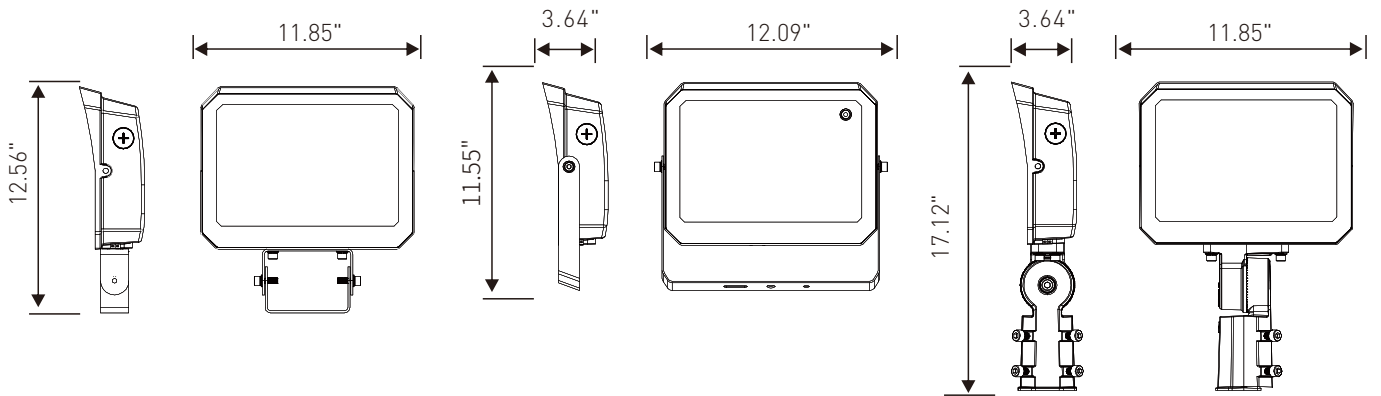
35W/15W



60W/80W



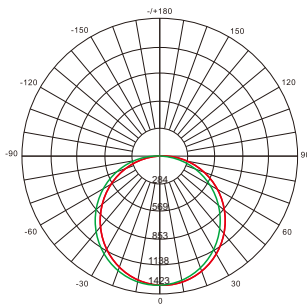
100W/150W



V3 Watt&CCT Tunable FLOOD LED LIGHT

DISTRIBUTION DIAGRAM

LS3FL-15W

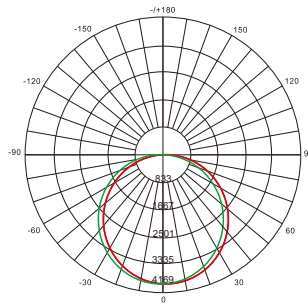


AVERAGE BEAM ANGLE(50%): 120°

UNIT:CD
 Test Number: LS3FL15W
 Lumens:2025LM
 Test Number:15W
 Test Number:5000K

— C0/180,112.9
 — C30/210,111.5
 — C60/240,109.7
 — C90/270,110.1

LS3FL-30W

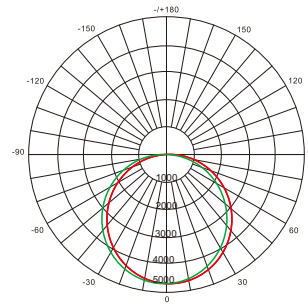


AVERAGE BEAM ANGLE(50%):120°

UNIT:CD
 Test Number: LS3FL-30W
 Lumens:4050LM
 Test Number:30W
 Test Number:5000K

— C0/180,113.5
 — C30/210,111.8
 — C60/240,111.9
 — C90/270,110.3

LS3FL-60W

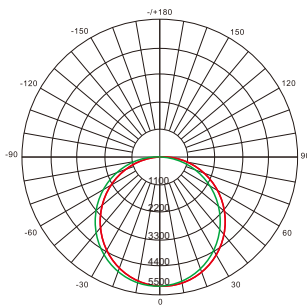


AVERAGE BEAM ANGLE(50%): 120°

UNIT:CD
 Test Number:LS-FL60W
 Lumens:8100LM
 Test Number:60W
 Test Number:5000K

— C0/180,114.5
 — C30/210,112.2
 — C60/240,111.6
 — C90/270,113.3

LS3FL-80W

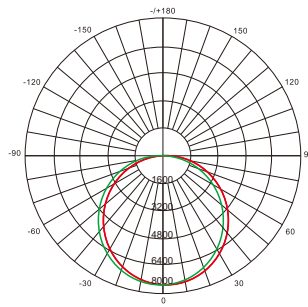


AVERAGE BEAM ANGLE(50%): 120°

UNIT:CD
 Test Number: LS3FL-80W
 Lumens:10800LM
 Test Number:80W
 Test Number:5000K

— C0/180,112.9
 — C30/210,111.5
 — C60/240,109.7
 — C90/270,110.1

LS3FL-100W

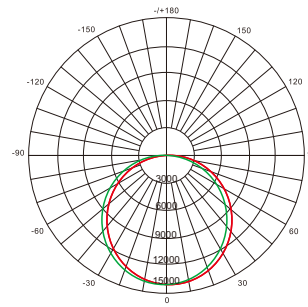


AVERAGE BEAM ANGLE(50%):120°

UNIT:CD
 Test Number: LS3FL-100W
 Lumens:13500LM
 Test Number:100W
 Test Number:5000K

— C0/180,113.5
 — C30/210,111.8
 — C60/240,111.9
 — C90/270,110.3

LS3FL-150W



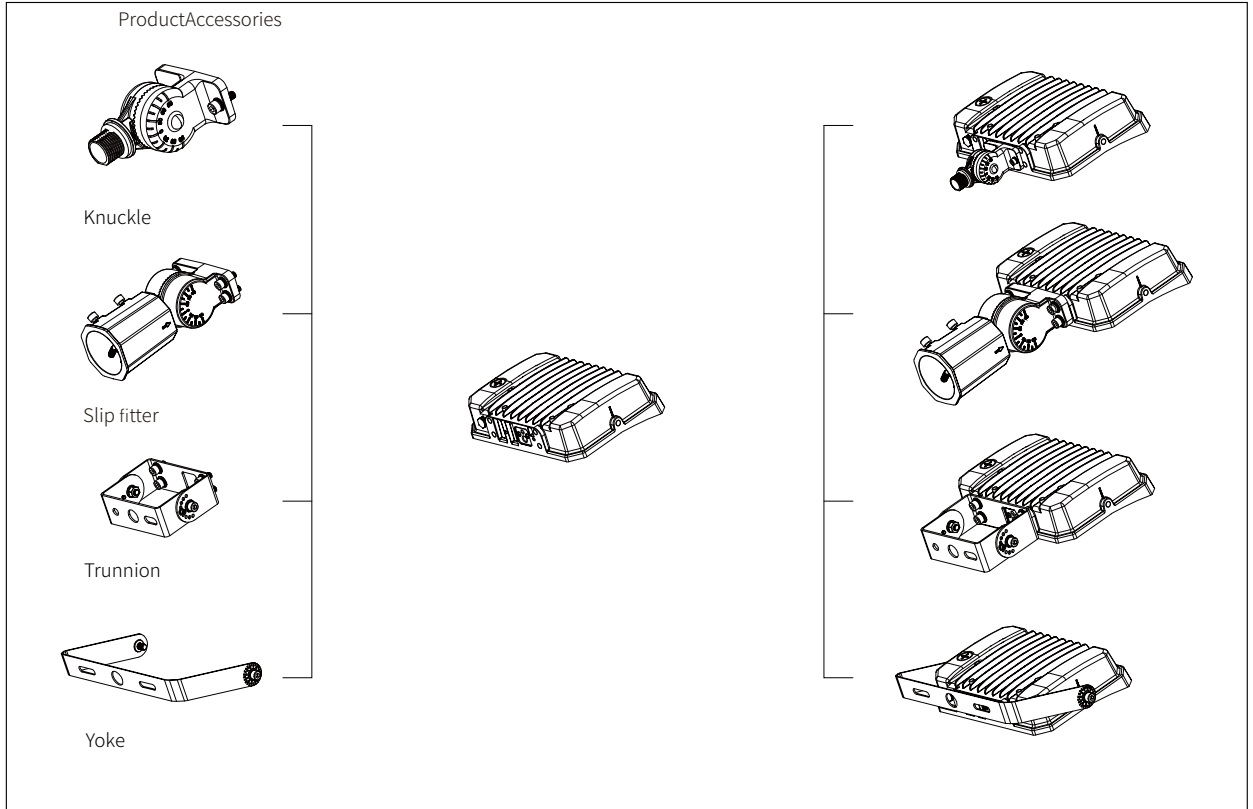
AVERAGE BEAM ANGLE(50%): 120°

UNIT:CD
 Test Number:LS3FL-150W
 Lumens:20250LM
 Test Number:150W
 Test Number:5000K

— C0/180,114.5
 — C30/210,112.2
 — C60/240,111.6
 — C90/270,113.3

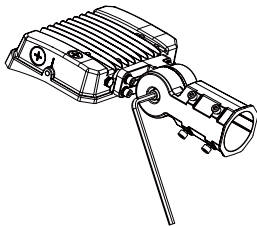
V3 Watt&CCT Tunable FLOOD LED LIGHT

Installation

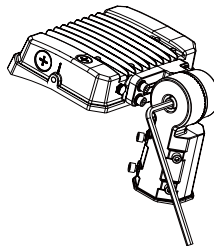


Installation Instruction (Slip-fitter)

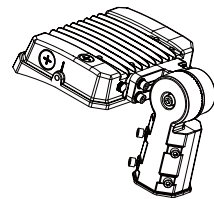
1. Loosen the screw used to fix the upper and the lower mount in rotating shaft by Hexagon wrench.



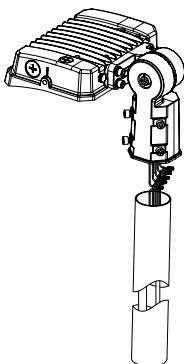
2. Rotate the bracket to proper Angle..



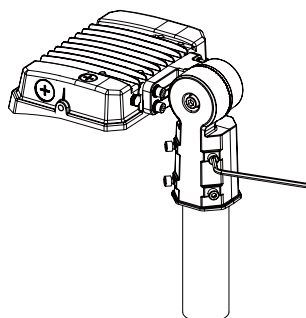
3. Lock the upper and lower brackets by Hexagon wrench.



4. Connect wires.



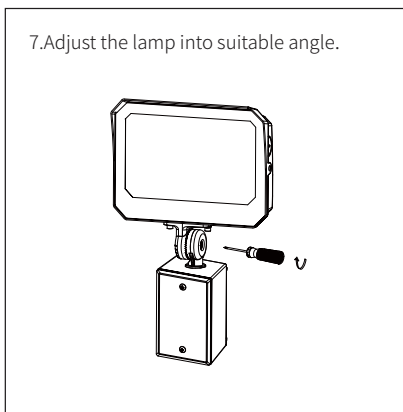
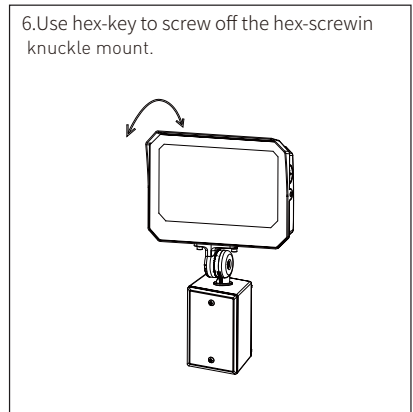
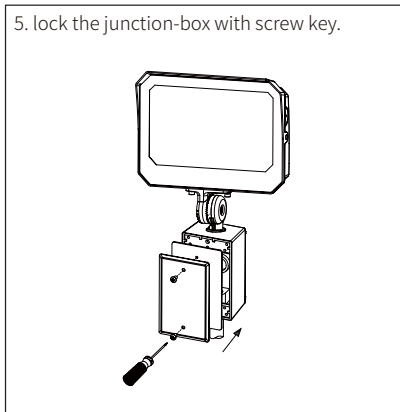
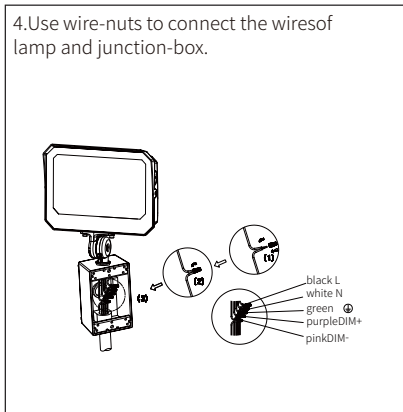
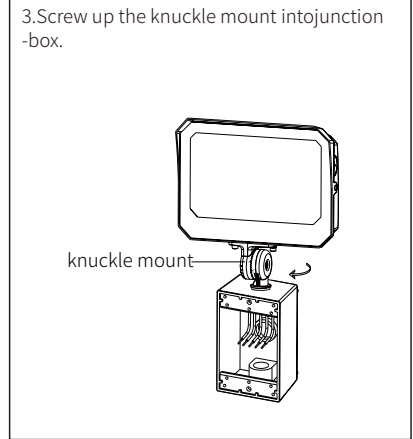
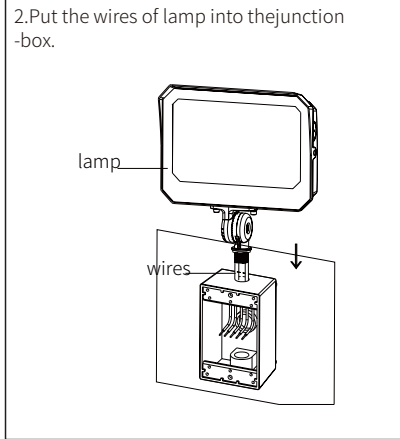
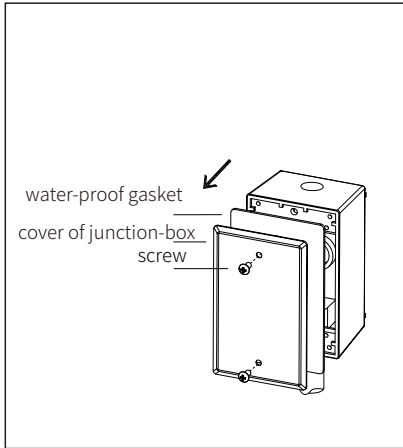
5. Fix the bracket to lamp pole by hexagonal wrench.



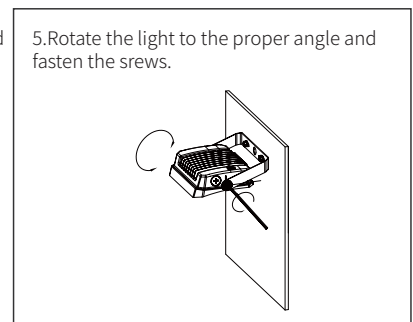
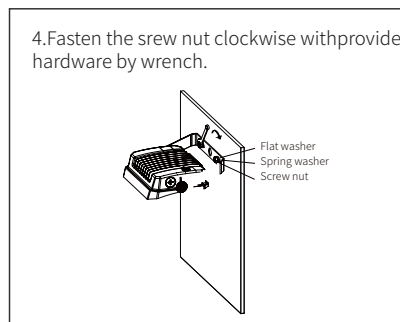
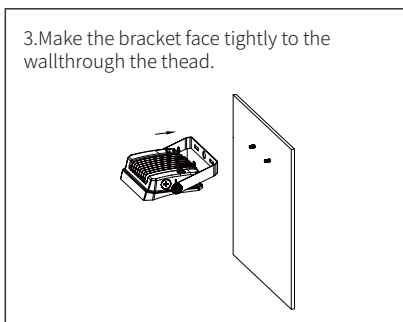
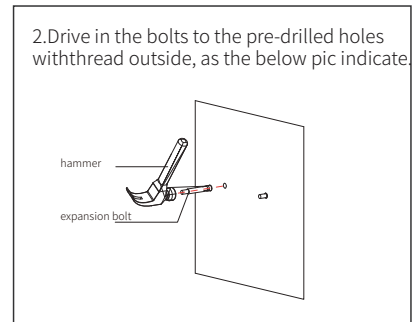
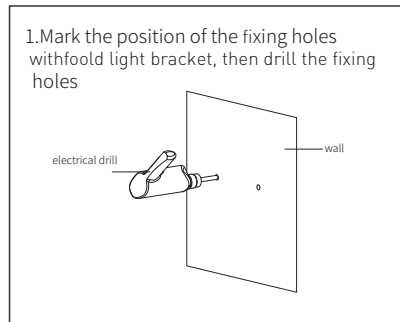
Notice: The maximum diameter of lamp pole is 2.36", lamp adjustable angle is 0-90°

V3 Watt&CCT Tunable FLOOD LED LIGHT

Installation Instruction

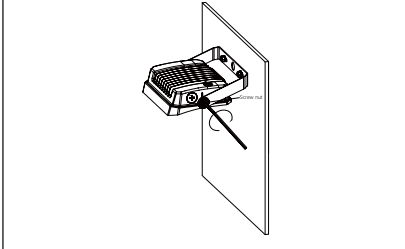


Installation Instruction (Yoke)

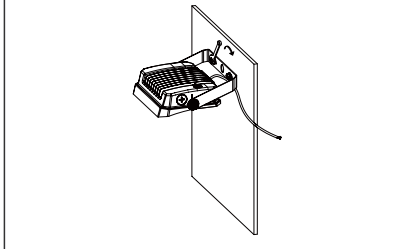


V3 Watt&CCT Tunable FLOOD LED LIGHT

6. Fasten the screw both sides with allen driver..

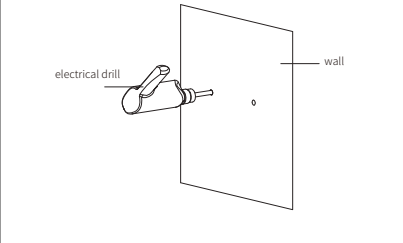


7. Connect wires.

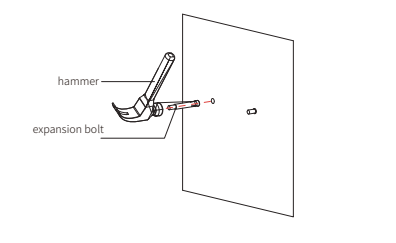


Installation Instruction (Trunnion)

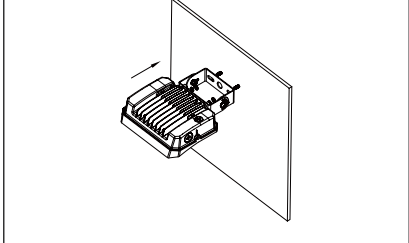
1. Mark the position of the fixing holes with foold light bracket, then drill the fixing holes



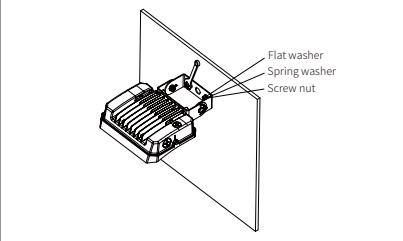
2. Drive in the bolts to the pre-drilled holes with thread outside, as the below pic indicate.



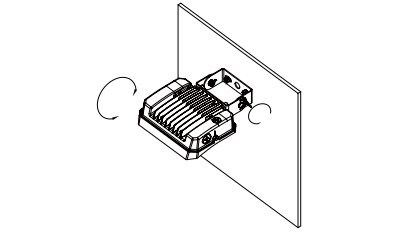
3. Make the bracket face tightly to the wall through the thread.



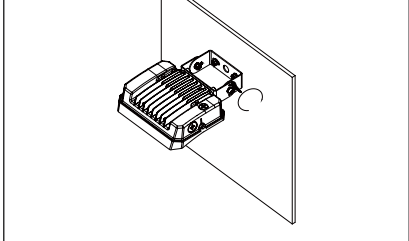
4. Fasten the screw nut clockwise with provided hardware by wrench.



5. Rotate the light to the proper angle and fasten the screws.



6. Fasten the screw both sides with allen driver.



7. Connect wires.

