

Architectural Up/down LED Linear Light

Date:..... Location:

Product:.....Project:.....

Quantity:..... Catalog#

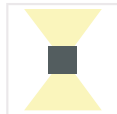
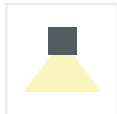


FEATURES

- This architectural linear light can generate both direct and indirect lighting
- 5 different lighting distributions for your lighting choice. Total output 6000lm.
- Up 100%+Down 0%, Up 70%+Down 30%, Up 50%+Down 50%, Up 30%+Down 70%, Up 0%+Down 100%,
- 3 CCT Selectable. 35/40/50K.
- Multiple fixtures can be linked seamlessly by using linkable kit (sold separately).
- Different linkable kit available (xlink kit, + link kit, L link kit sold separately).
- 0-10V Dimmable, DLC PREMIUM.

SUITABLE APPLICATIONS

- Commercial area
- Residential area
- Convention center
- Office
- Lobby
- Hospital
- Showroom
- Hotel



Descriptions

The 50W LED Architectural Linear light is designed by aluminum Housing and polycarbonate Lens light, which is a great product for commercial spaces, features with both direct and indirect lighting, provides much healthier light than other led lights,available in 2ft,4ft& 8ft and can be seamless linkable up to 7 fixtures. The fixture also offers wattage and CCT selectable from 3500K,4000K&5000K, both up and down light that can be controlled separately.

Electric Characteristic

Model	Light Distribution	Size	Total Watts	UP	UP Watts	DOWN	DOWN Watts	CCT	Efficacy LM/W	Voltage	DIM	CRI	Beam Angle
DB77E-4-50L -UD-S-A5C3	Adjustable Up & Down Lighting UP: 100% & DOWN: 0% UP: 70% & DOWN: 30% UP: 50% & DOWN: 50% UP: 30% & DOWN: 70% UP: 0% & DOWN: 100%	40FT	50W	100%	50W	0%	0W	UP: 35/40/50K Select Down: 35/40/50K Select	120LM/W	120V-277V 277V-347V	0-10V	80	110°
				70%	35W	30%	15W						
				50%	25W	50%	25W						
				30%	15W	70%	35W						
				0%	0W	100%	50W						

CCT & Up/Down Field Adjustable Controls

CCT Switchable
3500/4000/5000K

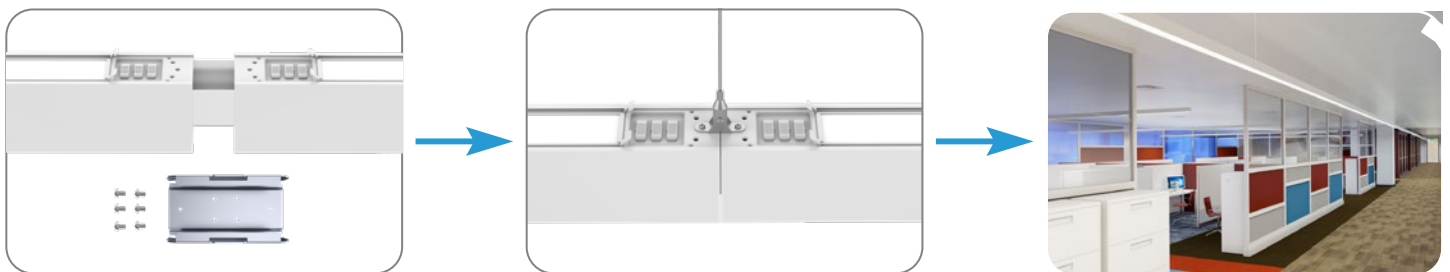
Uplight Downlight

Adjustable Light Distribution

- ① UP: 100% & DOWN: 0%
- ② UP: 70% & DOWN: 30%
- ③ UP: 50% & DOWN: 50%
- ④ UP: 30% & DOWN: 70%
- ⑤ UP: 0% & DOWN: 100%

Pendant (Up&down) Pendant (Up) Pendant (Down) Surfacemoun ted Recessed Wall mounted (Up&down) Wall mounted (Up) Wall mounted (Down)

Seamless linkable connection without screws

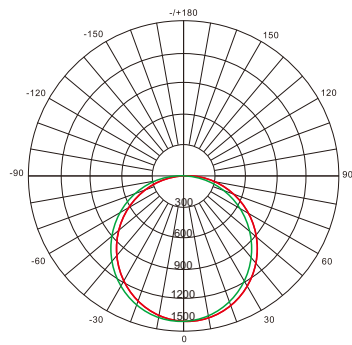


StraightConnector LConnector TConnector + Connector Cutable Flexible Cover

RoundCanopy & PowerCable SquareCanopy & PowerCable Microwave Motion Sensor (Merrytek) Emergency Battery Backup

Architectural Up/down LED Linear Light

DISTRIBUTION DIAGRAM



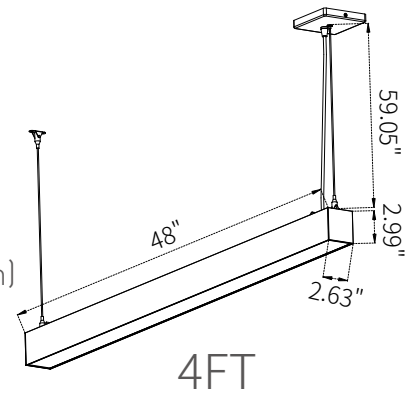
AVERAGE BEAM ANGLE(50%): 113°

UNIT: CD
— C0/180, 110.9
— C30/210, 110.5
— C60/240, 109.3
— C90/270, 109.1

Lumens: 5750LM
Test Number: 50W
Test Number: 5000K

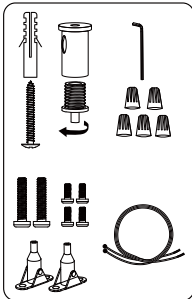
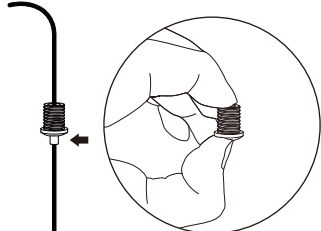
Electric Characteristic

4FT: LxWxH
48" x 2.63" x 2.99"
(1219.2x66.8x75.95mm)



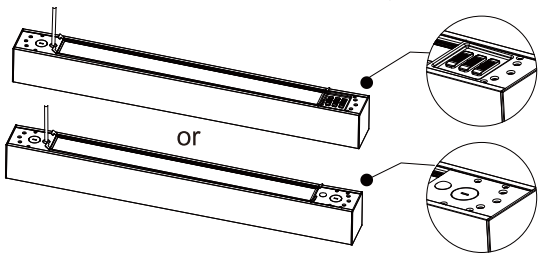
LED LINEAR LIGHT USER GUIDE

■ Suspension installation with square surface plate.

Press to adjust the length of the suspension wire

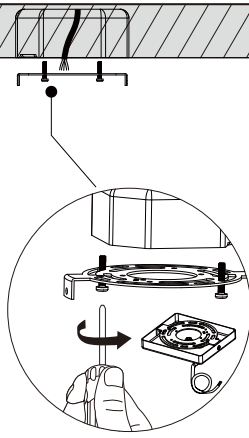
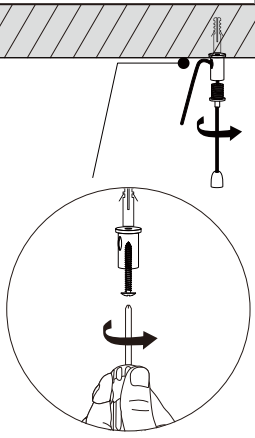
Choose the light distribution and color temperature of the upper and down lights

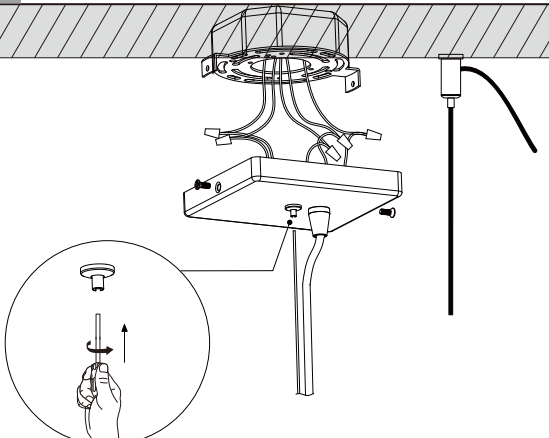


or

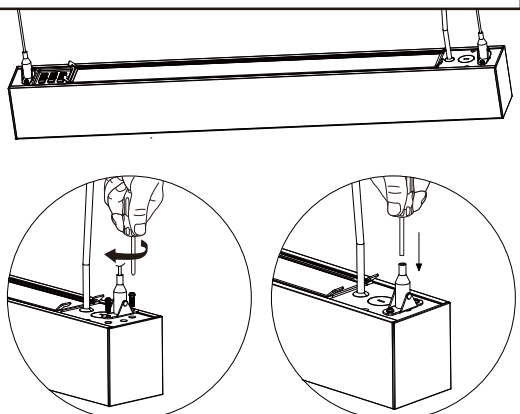
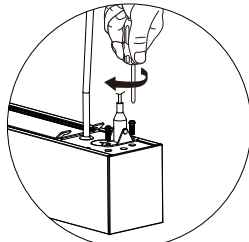
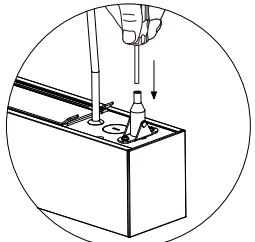
Single CCT and single power, not available to select.

1 2

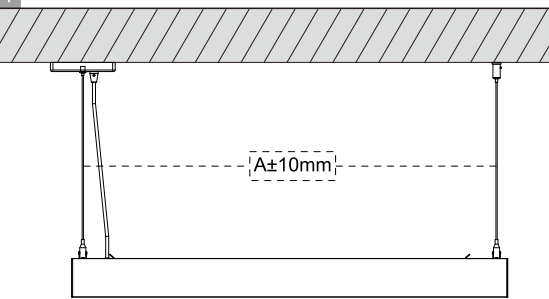





3 4

Insert the wire rope into the metal fixator



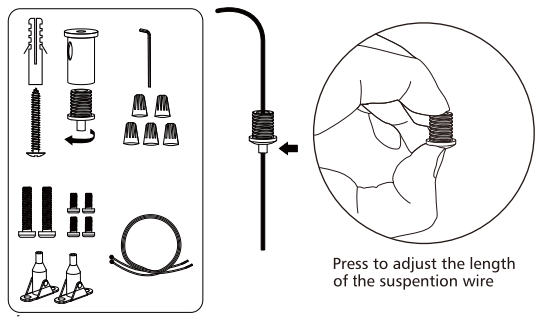
A±10mm

COMPLETED

SPEC	A
2FT	566mm
4FT	1175mm
8FT	2394mm

5 6

Suspension installation with round surface plate.



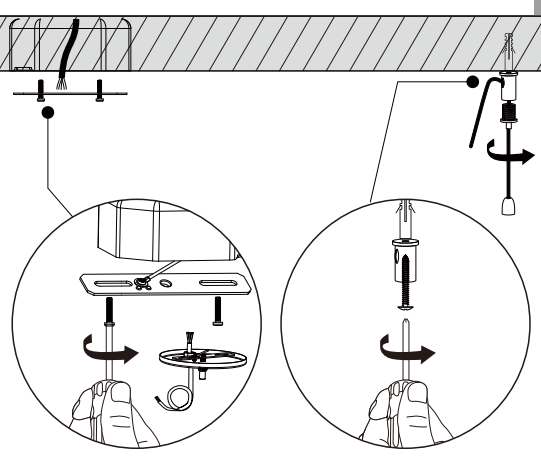
Press to adjust the length of the suspension wire

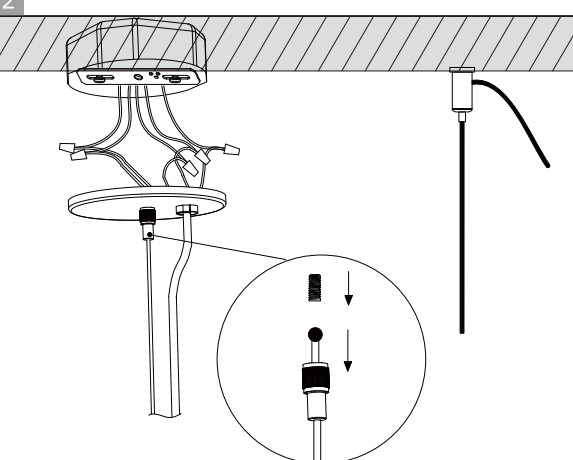
Choose the light distribution and color temperature of the upper and down lights

OR

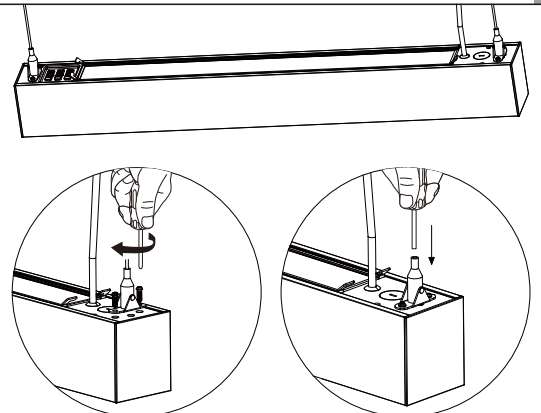
Single CCT and single power, not available to select.

1 2

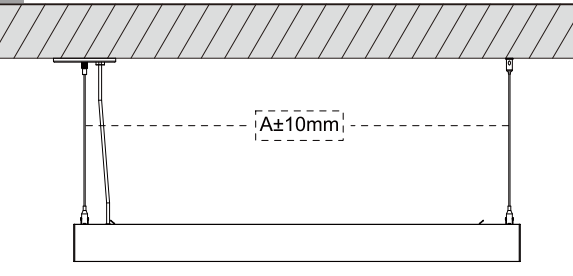




3 4



Insert the wire rope into the metal fixator

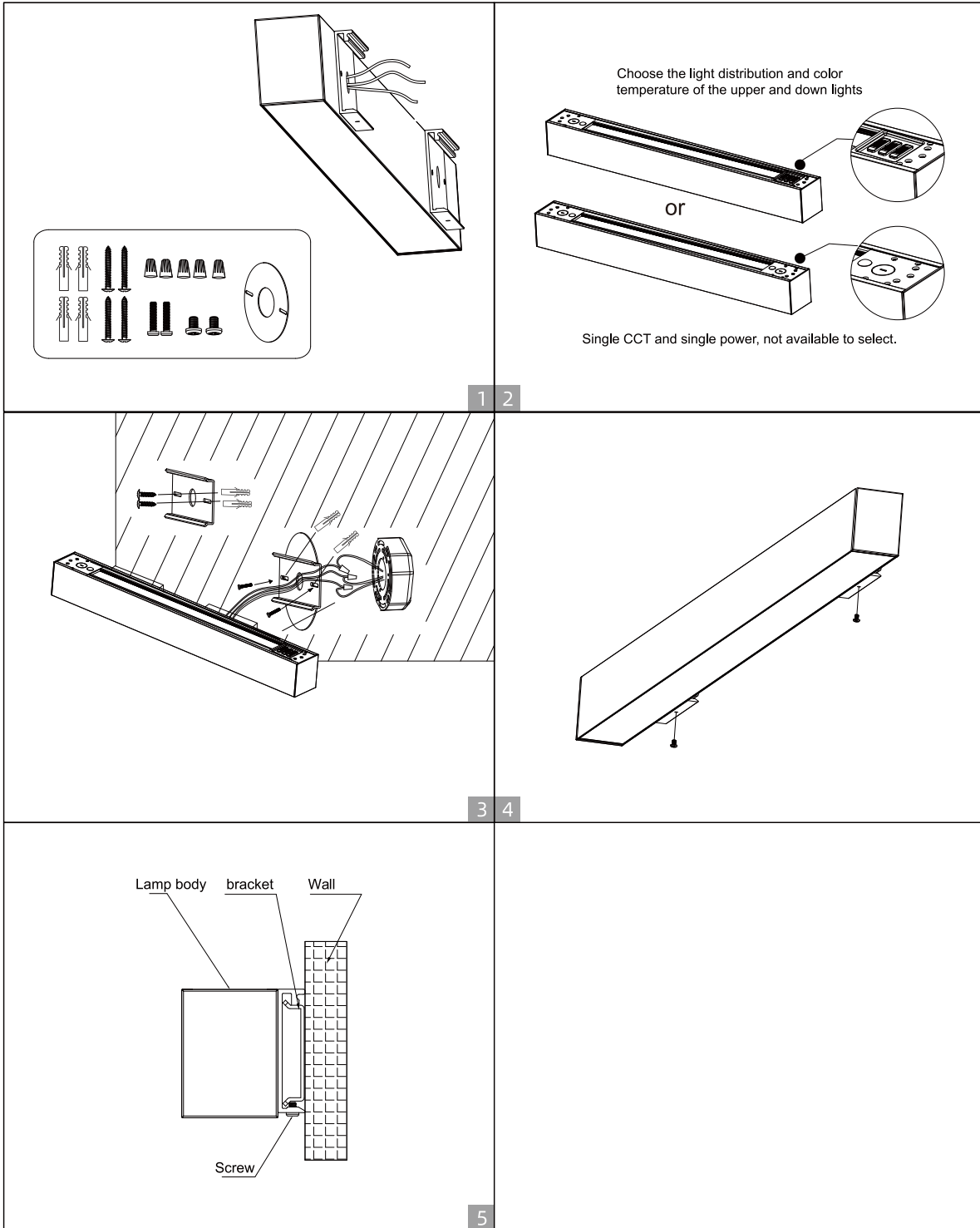


COMPLETED

SPEC	A
2FT	566mm
4FT	1175mm
8FT	2394mm

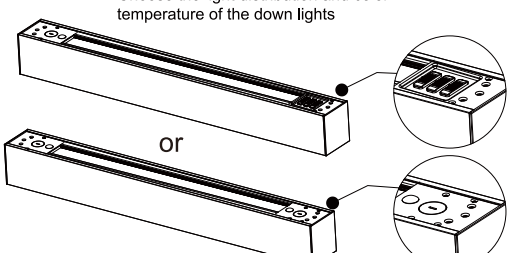
5 6

Wall mounted installation

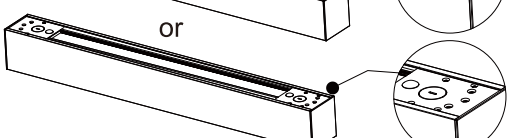


Surface mounted installation

Choose the light distribution and color temperature of the down lights

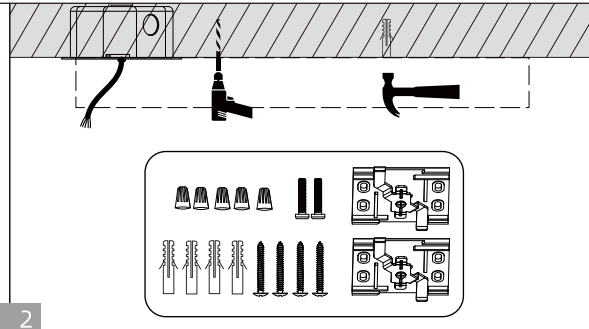


or

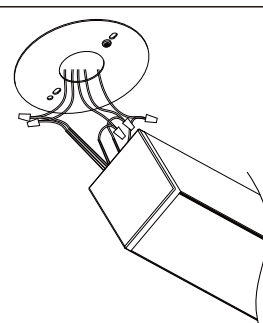


Single CCT and single power, not available to select.

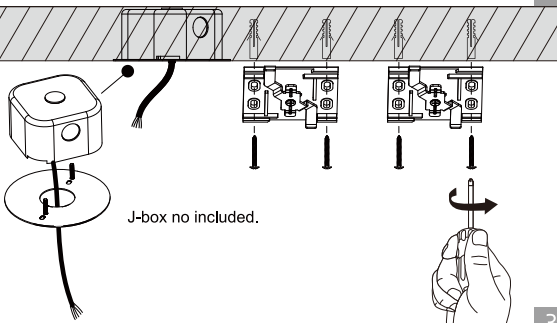
1 2



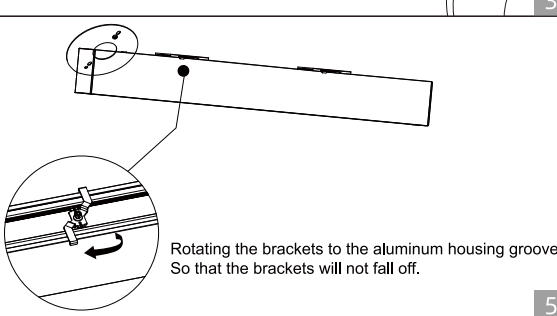
Connecting wires



J-box no included.

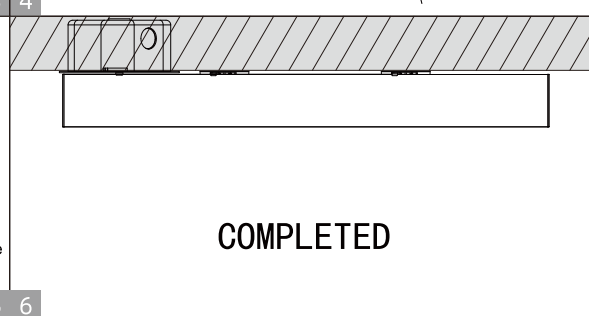


3 4



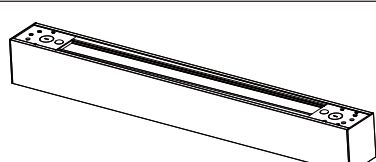
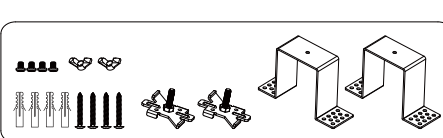
Rotating the brackets to the aluminum housing groove
So that the brackets will not fall off.

5 6

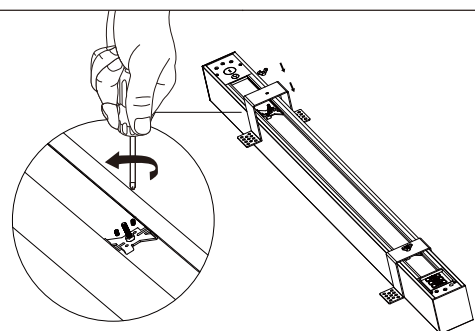
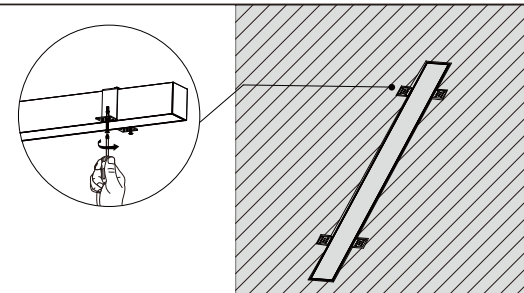
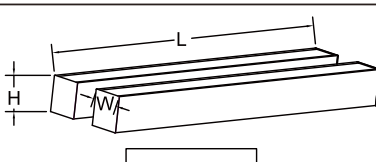


COMPLETED

Recessed installation

1 2

SPEC	(L)Length	(W)Width	(H)Height
2FT	610mm	67mm	76mm
4FT	1219mm	67mm	76mm
8FT	2438mm	67mm	76mm

3 4

Splicing installation for suspension

1
2
3
4
5
6
7

Straight connector

- DC
- DIM
- AC

Splicing Qty(Max):
 2FT-24W:28PCS
 4FT-36W:20PCS
 4FT-50W:15PCS
 8FT-72W:10PCS
 8FT-100W:7PCS

Seamless splice

Splicing installation for surface mounted and recessed

1
2
3
4
5
6

Straight connector

- DC
- DIM
- AC

Splicing Qty(Max):
 2FT-24W:28PCS
 4FT-36W:20PCS
 4FT-50W:15PCS
 8FT-72W:10PCS
 8FT-100W:7PCS

Seamless splice