

## LED WRAP



Date: ..... Location: .....

Product: ..... Project: .....

Quantity: ..... Catalog# .....

## FEATURES

- IP40 rated
- Easy installation and maintenance
- Corrosion and rust proof
- 50,000 hours lifetime

## SUITABLE APPLICATIONS

- Area Lighting
- Parking lot Auto Dealerships
- Shopping malls
- Building lighting
- Warehouse lighting
- Wall lighting

## CONSTRUCTION:

Die formed of 0.6mm cold-rolled steel body

All steel surface are painted after fabrication with high glossbackedwhitemattepowderpainted

ExtrudedopalprismaticmaterialwithUVprotection  
EndCaps:whitePCmaterial

## OPTICALSYSTEM:

High brightness2835LED chips. High quality tem pc optics.110° beam angle.

## WARRANTY:

5-year limited warranty. Actual performance maydiffer as a result of end-user environment and.application.

## PERFORMANCE

Model NO	SIZE	Wattage	Voltage	Light Efficiency	Kelvin Options
LS-WRA50W-TN	4FT	30W/40W/50W	120-277V	115LM/W	3500K/4000K/5000K

## Electric Characteristic

Model	Certificate	Input power	Lumens output	Efficiency	CRI	Color Temperature	lamps efficiency	Equivalent
LS-WRA50W-TN	UL DLC	30W/40W/50W	3450/4600/5750LM	115LM/W	>80	3500-5000K	≥90%	115-150W MH/HPS

## ELECTRICAL:

Available as 120-277V input. dim0-10V-22°F to104°F.

## INSTALLATION&MOUNTING:

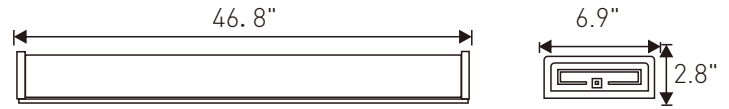
Wall/Square Pole Mounting with quick mount back plate for easy installation.

### OPTIONAL ACCESSORIES



Emergency Battery Backup

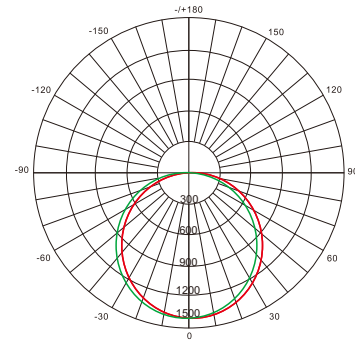
### Electric Characteristic



### WARNING

1. The installation and maintenance must be completed by electricians or professionals.
2. Please cut off the power before installation and maintenance.
3. The thermally insulating material is not allowed to cover the fixture.
4. Please keep away from the corrosive substance, and keep the fixture dry and clean.
5. Working temperature: -4°F~104°F, storage temperature: -22°F~140°F.

### DISTRIBUTION DIAGRAM



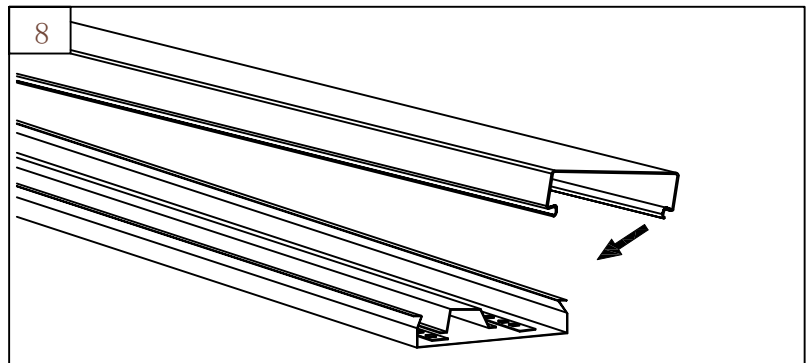
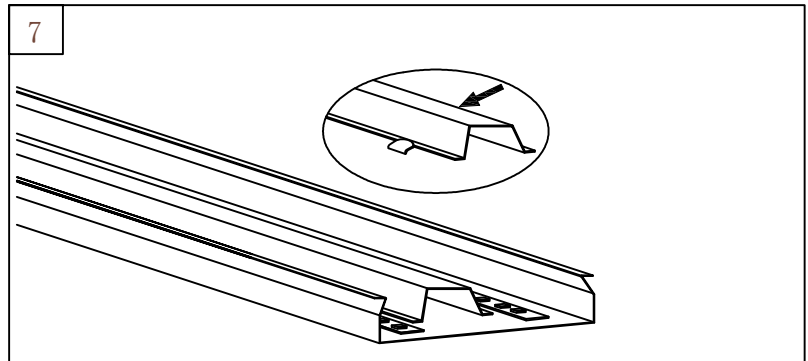
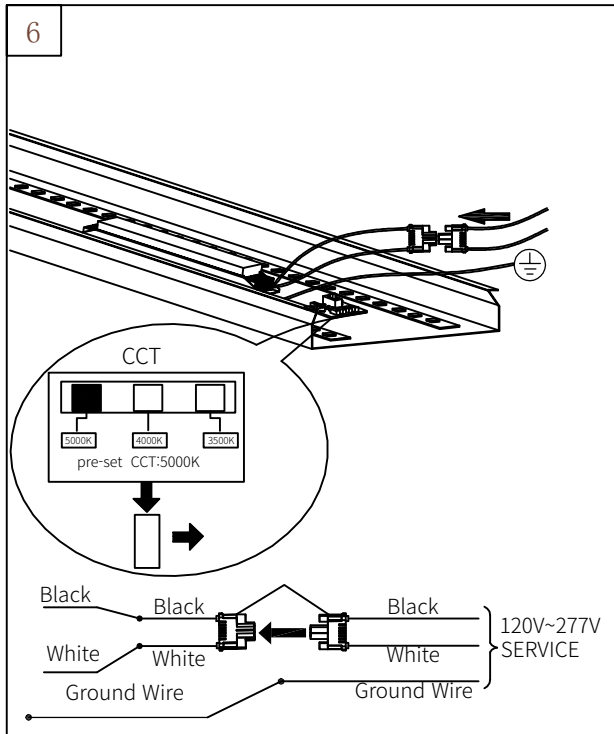
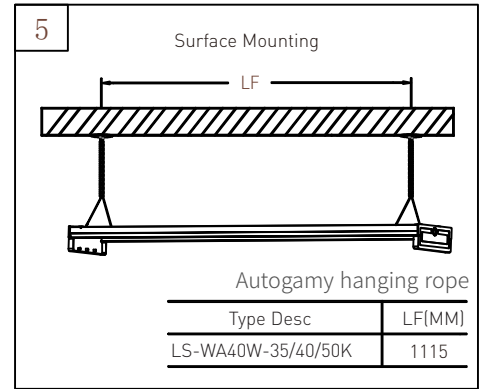
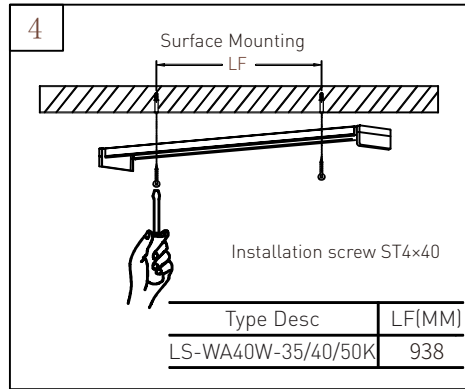
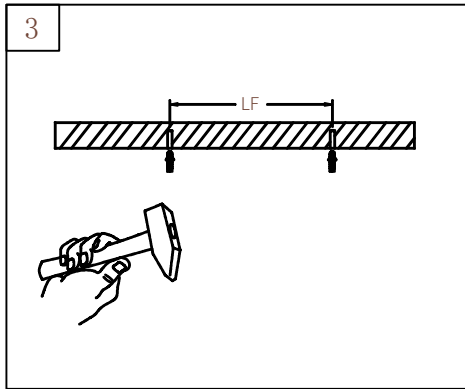
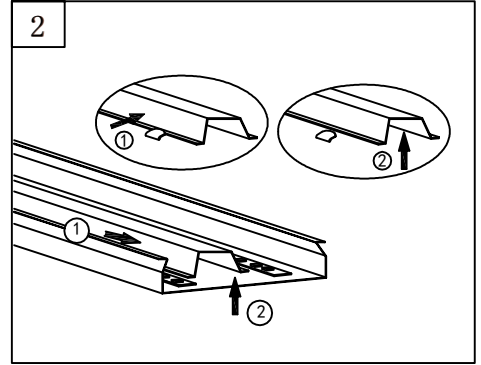
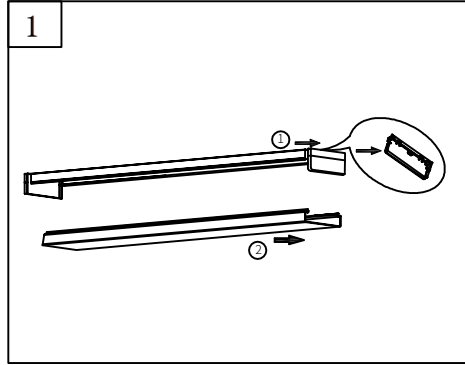
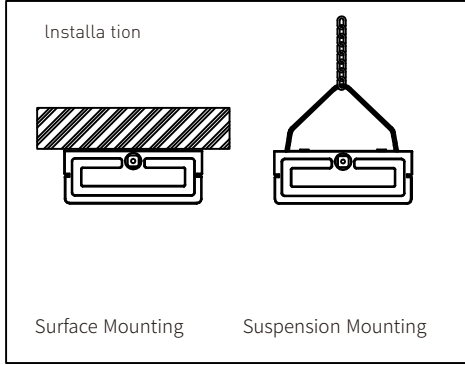
AVERAGE BEAM ANGLE(50%): 113°

UNIT:CD  
 Test Number:TS-WAL-4FT50W-TCP      - C0/180,110.9  
 Lumens:4600LM                              - C30/210,110.5  
 Test Number:30W/40W/50W              - C60/240,109.3  
 Test Number:3500K/4000K5000K       - C90/270,109.1

### PACKAGE/WEIGHT

Model No	Size	Master Carton Size (LxWxH)	Qty/Carton	Weight (KG) / (LBS)
LS-WRA50W-TN	4FT	48.62 "X 13.58 "X 10.04 "	5	17.5KG/38.58lbs

# LEDWraparound



### Sa fet y N ot i ce



1. Please check and ensure the products have not in damage before use, if there any breakage please do not install and use.
2. Please keep the kids far away from the product and don't let them touch any live parts.
3. Please keep packing materials far away from kids when playing, to prevent kids careless putting packing material on their head or directly inhaling, swallowing, causing suffocation.
4. The installation of the product must be certified by professional electrician.
5. Forbid covering anything on product.
6. To ensure that the power cord has enough length and do not be subjected to tension or tangential force, avoid too much tension and power cord ties when mounting connection of light fittings.
7. To protect the eyes from LED light damage please avoid long time looking straight into the LED light-emitting surface.
8. Please be sure power is off before clean light fitting, use dry cloth to clean.