

Date: \_\_\_\_\_ Location:.....

Product: \_\_\_\_\_Project: .....

Quantity: \_\_\_\_\_Catalog # .....

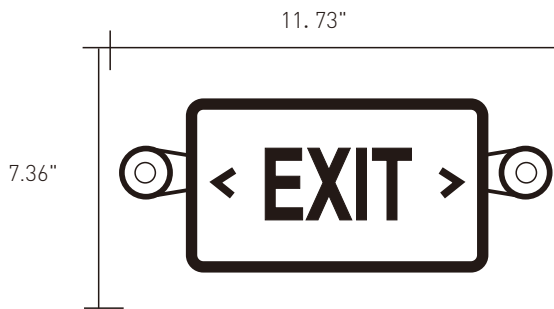
**BLACK COMBO EMERGENCY EXIT**



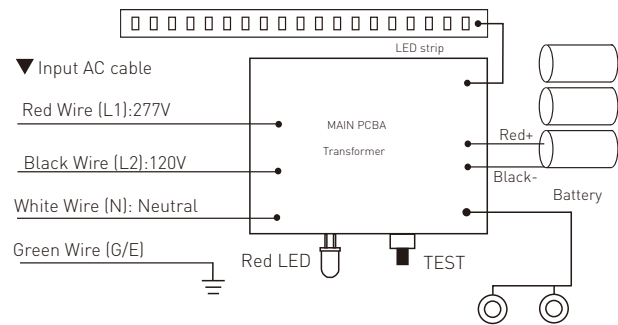
► Electric Characteristic

Model NO	Input Wattage	Input Current	Efficiency	Recharge Time	Output Wattage	LED QTY	Lead-Acid Battery	Emergency duration	Product Size
LS-ES007SBL	5W	0.04A	0.86P	24H	1W-2W	Φ Red*12pcs	3.6V/800mAh	>90mins	11.73"*7.36"*1.77"

► DIMENSION



**WARNING:**  
Unused wires must be capped by enclosed wire nuts.



**IMPORTANT SAFETY GUIDES**

**READ AND FOLLOW ALL SAFETY INSTRUCTIONS**

- 1. Review the diagrams thoroughly before beginning.
- 2. All electrical connections must be in accordance with local codes, ordinances and the National Electric code.
- 3. Disconnect power at fuse or circuit breaker before installing or servicing.
- 4. Do not use outdoors.
- 5. Do not mount in hazardous locations, or near gas or electric heaters.
- 6. Do not let power cords touch hot surface.
- 7. Equipment should be mounted in locations and heights where it will not be tampered by unauthorized personnel
- 8. The use of accessory equipment not recommend by the manufacturer may cause an unsafe condition.
- 9. Do not use this equipment for other than intended use.
- 10. All servicing should be performed by qualified personnel only.
- 11. Allow battery to charge for 24 hours before first use.
- 12. For connection to a single source of supply such that all lamps are simultaneously illuminated.

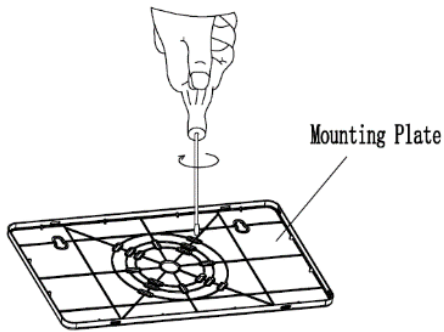
# BLACK COMBO EMERGENCY EXIT

## Mounting Instructions

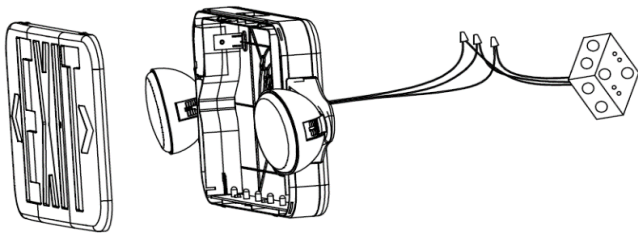
NOTE: First turn off electricity.

### Wall mounting (Max. mounting height: 18.2ft)

1. Knockout in back of mounting plate and push wires through the hole.



2. Securely attach mounting plate to J-box (not provided).

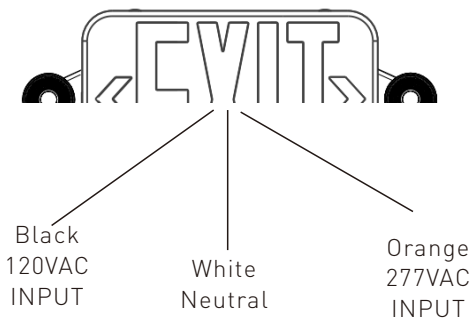


### 3. ELECTRICAL CONNECTIONS

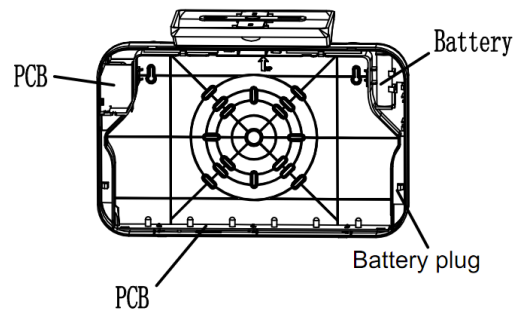
Make the proper supply wire connections.

If using 120VAC, connect the black and White wires to the building utility.

If using 277VAC, connect the Orange and White wires to the building utility



4. Connect the battery to connector on the PCB

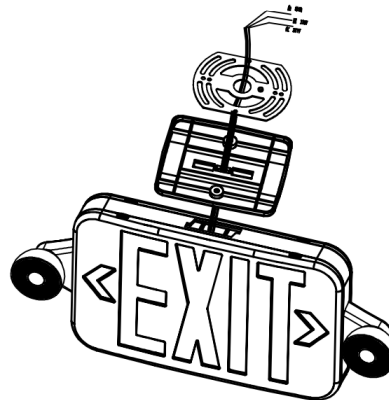


5. Snap fixture onto mounting plate and ensure no wires are pinched. Make sure unit is fully attached.

6. Restore power and press test button. Battery powered LED will come on, AC light will turn off.

### Ceiling Mounting

1. Open top cover and knockout on the top of fixture.
2. Secure the mounting plate to tube with nut.
3. Push the wires through the hole for ceiling mounting.



4. Reference step 4-6 in wall mounting above for ceiling mounting.