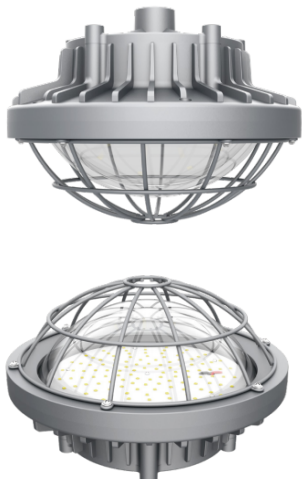


Explosion Proof Low Bay LED Luminaires



Date:..... Location:

Product:..... Project:.....

Quantity:..... Catalog#

FEATURES

- Low bay design, Class 1 Division 2, Group A B C D, Class 2, Division 2, group F and G, class 3, hazardous environment.
- LED: LM80 certified, high efficacy, low decay, long lifespan. 130 lm /W ±5, up to 10400lm.
- Lens -tempered glass shock & vibration resistant, Super clear, >90% light transmit.
- IP66 RATED. Housing - Aluminum alloy.
- Meanwell LED Driver, >90% driver efficacy
- 6KV Surge Protection

SUITABLE APPLICATIONS

Applicable in Class I, Division 2, Groups A, B, C and D;
 Class II, Division 2, Groups F and G;
 Class III hazardous environment, Certificate No: E475887-UL-CUL

- Waste water treatment, oil and gas refineries, drilling rigs, offshore platforms, petrochemical facilities, chemical plants, coal mines, aviation bases, food plant, Pharmaceutical plant, beverage facilities, and where flammable vapors, gases, ignitable dusts, fibers or flyings are present.

CONSTRUCTION:

A corrosion-resistant and high-strength aluminum alloy housing and tempered glass lampshaded design

OPTICAL SYSTEM:

Lumileds LED chips. High quality tempered glass optics. 180° beam angle.

WARRANTY:

5-year limited warranty. Actual performance may differ as a result of end-user environment and application.

PERFORMANCE

| Model NO | Power Factor | Wattage | Voltage/Current Input | | Light Efficiency | Kelvin Options |
|-------------|--------------|---------|-----------------------|-------|------------------|----------------|
| | | | 120V | 277V | | |
| CES-GB02-80 | 0.9 | 80W | 0.66A | 0.28A | 130LM/W | 5000K |

ELECTRICAL:

Available as 120-277V input. -20°C to 50°C.

INSTALLATION & MOUNTING:

Ceiling mount / Drop mount / U bracket mount

Explosion Proof Low Bay LED Luminaires

Electric Characteristic

| | |
|-------------------------|-------------------|
| Specification/Model | CES-GB02-80 |
| LED DRIVER | MeanwellLEDDriver |
| Input power | 80W |
| Lumens output | 10400LM |
| Efficiency | 130LM/W |
| CRI | >72 |
| Color Temperature | 5000K |
| Input voltage | 120-277V/AC |
| Light distribution type | 180D |
| Working temperature | -40 +50°C |
| Junction temperature | <75°C |
| lamps efficiency | ≥90% |
| Certificate | UL CUL DLC |
| Equivalent | 250-350WMH/HPS |

PRODUCT ORDERING GUIDE

CES-GB02-80
1 2 3

CES - GB02 - 80

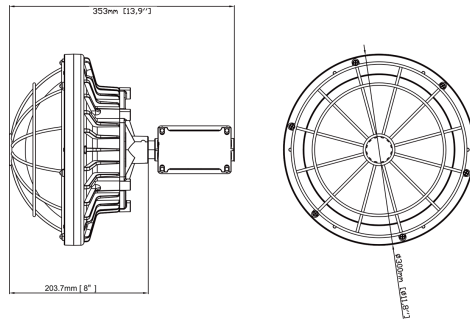
CES LEDSION code

GB02 Explosion Proof Low bay LED

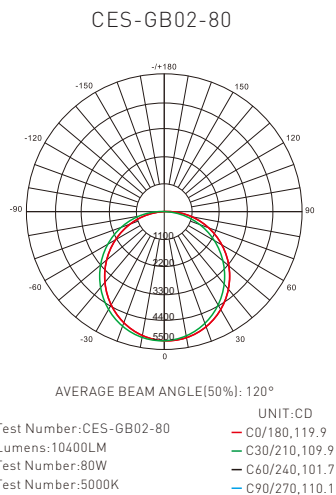
80 Power 80W

DIMENSION

Diameter: 11.8in
H: 8in



DISTRIBUTION DIAGRAM



Explosion Proof Low Bay LED Luminaires

BEFORE YOU BEGIN

Read these instructions completely and carefully.



RISKOFELEC TRICSHOCK

- Turn power off before inspection, installation or removal.
- Properly ground electrical enclosure.
- Make sure the supply voltage is the same as the rated luminaire voltage.

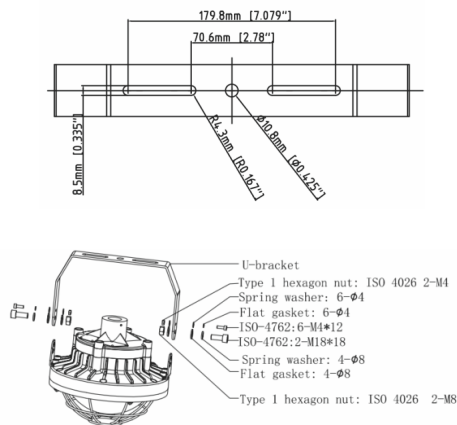


RISK OF FIRE

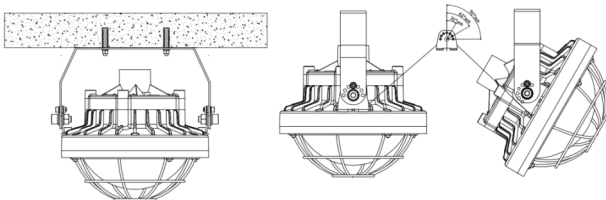
- Follow all NEC and local codes.
- Use only UL or IEC approved wire for input/output connections
- Do not operate in ambient temperature above that indicated on the luminaire nameplate.



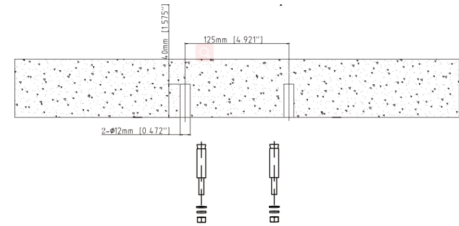
■ U-Bracket:



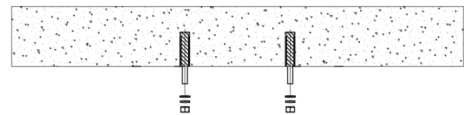
■ Ceiling mount and Wall mount



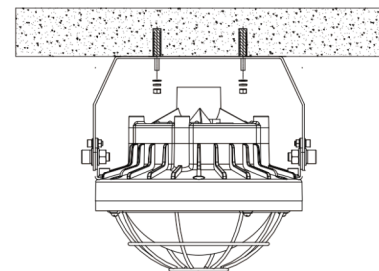
-1-



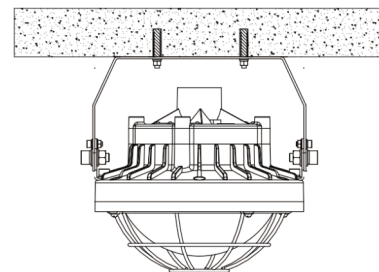
Step1: Open two holes in the wall according to the size in the picture.



Step2: Install the expansion screws in the holes



Step3: Align the mounting holes of the CES-GB02-80 U-shaped bracket with the holes of the expansion screw.

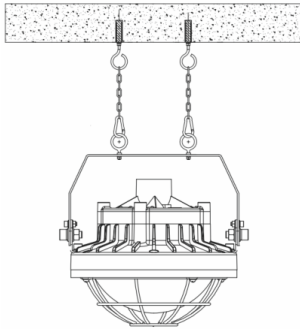


Step4: Use a wrench to tighten the expansion

-2-

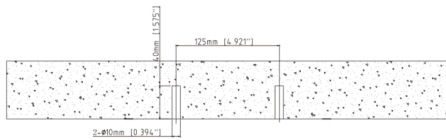
Explosion Proof Low Bay LED Luminaires

■ Drop mount:

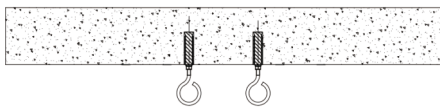


Installation steps(Drop mount):

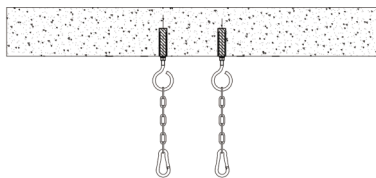
Use two M6x90 expansion screws with hooks to fix on the ceiling, and connect the Ubracket through the iron chain See Steps.



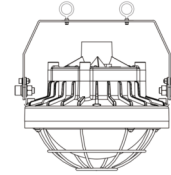
Step1 :Open two holes in the wall according to the size in the picture.



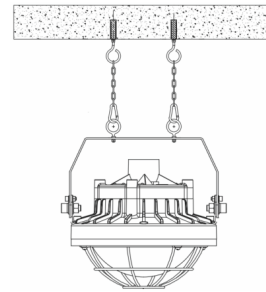
Step2:Install the expansion screws with hooks in the holes,



Step3:Install p4 size stainless steel circular chain on the hooks

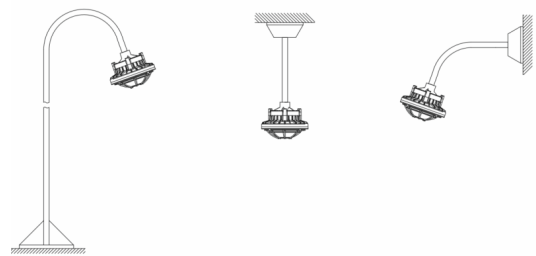


Step4 :Use M6 size lifting eye to install on U-bracket

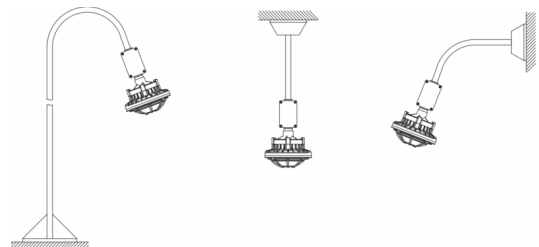


Step5: Hang the lamp on the stainless steel chain.

■ Pole Mount :



Pole Mount(Without junction box)

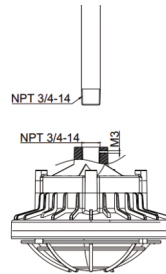


Pole Mount(With junction box)

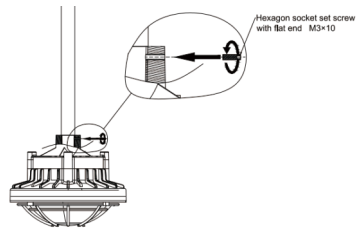
Explosion Proof Low Bay LED Luminaires

Installation steps(Pole mount):

Use the NPT3/4-14 conduit to connect with the cable entry of CES-EX-GB-02, and use an M3 bolt to lock the thread to ensure that the thread is not loose. See Steps.



Step1 : Rotate the NPT3/4-14 conduit into the cable entry of CES-GB02-80



Step2 :Fasten the conduit with an M3 bolt . .