



LED Linear Strip

Product Description

LED Linear Strip- fixture has a beautiful round tube design for commercial applications, combines the latest in LED technology 130lm/w brightness, 50000hrs high efficient led driver, beautiful light distribution optic lense and versatile installation like surface mount or chain hanging installation, with a typical saving energy of 80%, ideal for replacing 60-300W Metal Halide,



Applications:

shopping center mall or other commercial indoor ceiling areas.



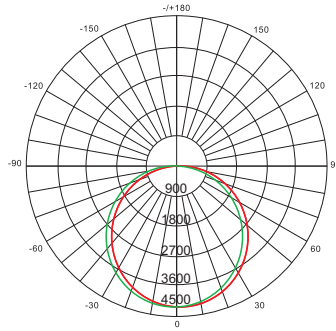
Electric Characteristic:

Specification/Model	LS-LST4FT24W	LS-LST4FT32W	LS-LST8FT40W	LS-LST8FT64W
LED Chips	Lm80 HONGLI 2835LED			
Input power	24W	32W	40W	64W
Lumens output	3120LM	4160LM	5200LM	8320LM
Efficiency	130LM/W	130LM/W	130LM/W	130LM/W
CRI	> 80Ra			
Color Temperature	3000K 4000K 5000K			
Input voltage	100-277V			
DIMMING	0-10V DIMMABLE			
Working temperature	-30~+60°C			
Total Harmonic Distortion	11.2%			
Power Factor	0.92			
Certificate	UL, cUL, DLC			
Equivalent	60-80W MH/HPS	80-200W MH/HPS	80-200W MH/HPS	200-300W MH/HPS

DLC Ordering Model No Information

Product	Power	Replacement	Color Temperature	Options
LS-LST4FT24W	24W	60-80W MH/HPS	30K 3000K 40K 4000K 50K 5000K	LS=Linear strip 4FT=120CM 8FT=240CM
LS-LST4FT32W	32W	80-200W MH/HPS		
LS-LST8FT40W	40W	80-200W MH/HPS		
LS-LST8FT64W	64W	200-300W MH/HPS		

Photometrics

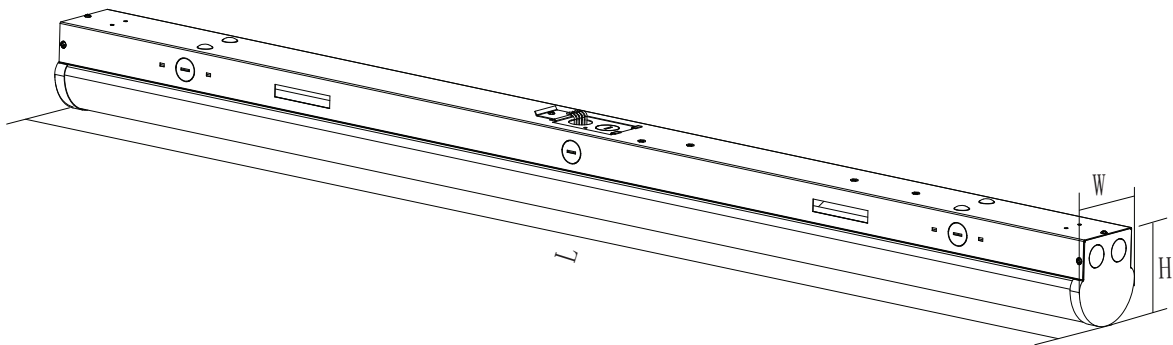


Projected LED Lumen Maintenance

Operating hours	0	25000	50000
Lumen maintenance factor	1	0.91	0.8

Data references the extrapolated performance projections for the linear strip LED platform in a 25°C ambient, based on 10,000 hours of LED testing (tested per IESNA LM-80-08 and projected per IESNA TM-21-11).

Dimensions:



Item	SIZE: L *W*H IN
LS-ST-4FT24W / LS-ST-4FT32W	48*3.3*3.5
LS-ST-8FT40W / LS-ST-8FT64W	96*3.35*3.56

After sale Service:

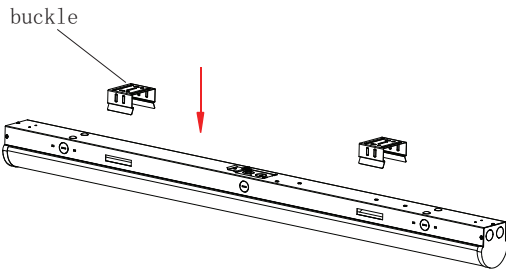
The product refers to electricians knowledge. Please don't disassemble it by yourself. If any quality problem happens, please contact the factory, for warranty details, contact factory.

NOTE: Actual performance may differ as a result of end-user environment and application. All values are without notice.

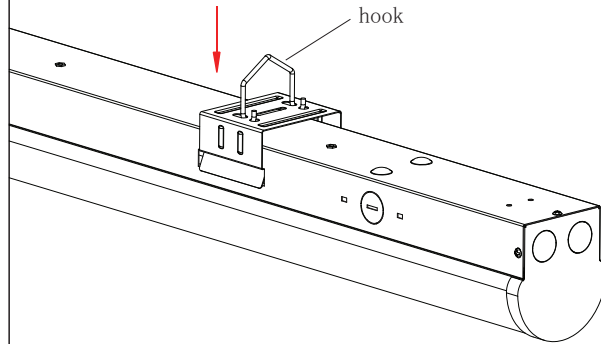
INSTALLATION MANUAL

Chain Installation

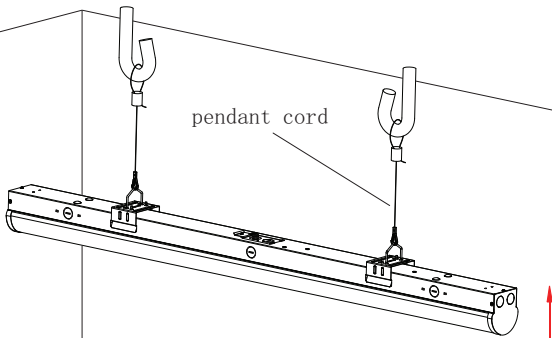
1. Snap buckle into the lamp body.



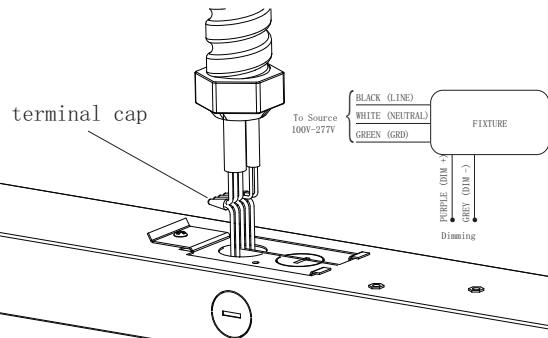
2. Attach the hook at the slotted holes of the buckle.



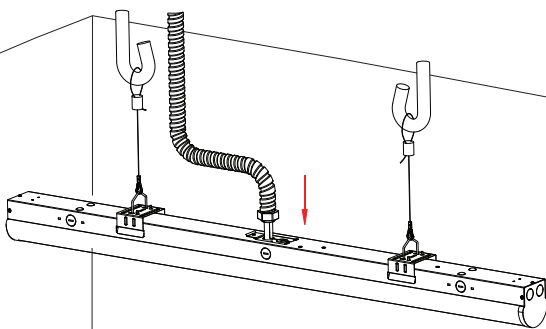
3. Hook the buckle with pendant cord and suspend the light to the desired height.



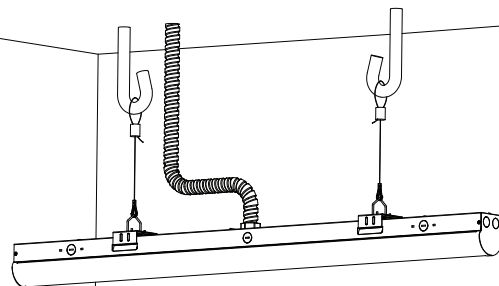
4. Turn off power, and make wiring connections with terminal cap. (see wiring instruction below)



5. Insert the terminal block and wires into the strip.

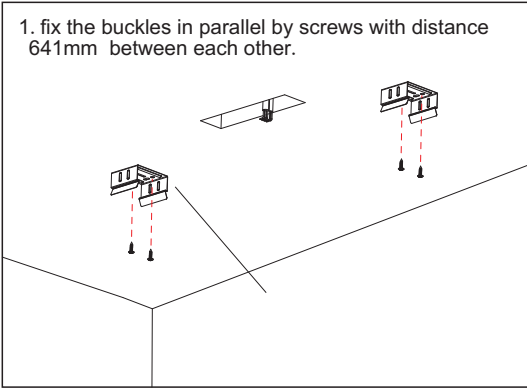


6. Insert the wire terminal joint to the wire entry.

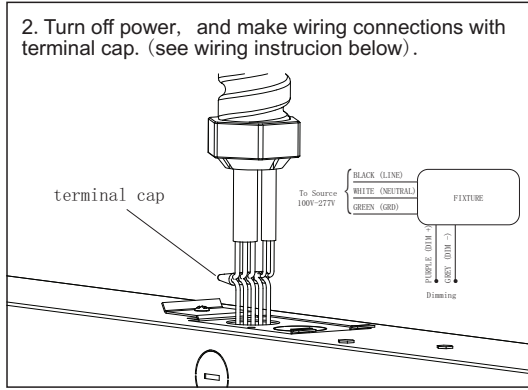


Surface Mounted Installation

1. fix the buckles in parallel by screws with distance 641mm between each other.

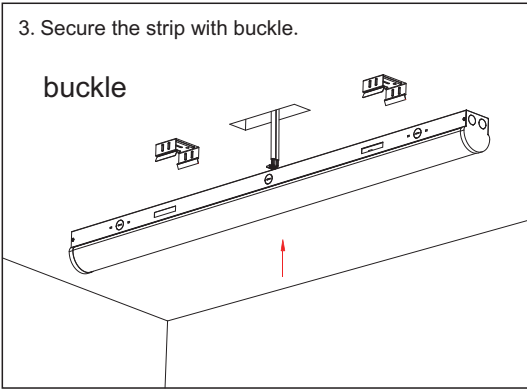


2. Turn off power, and make wiring connections with terminal cap. (see wiring instruction below).



3. Secure the strip with buckle.

buckle



4. Installation completed.

