

# DIAMOND NSF Food Grade Highbay



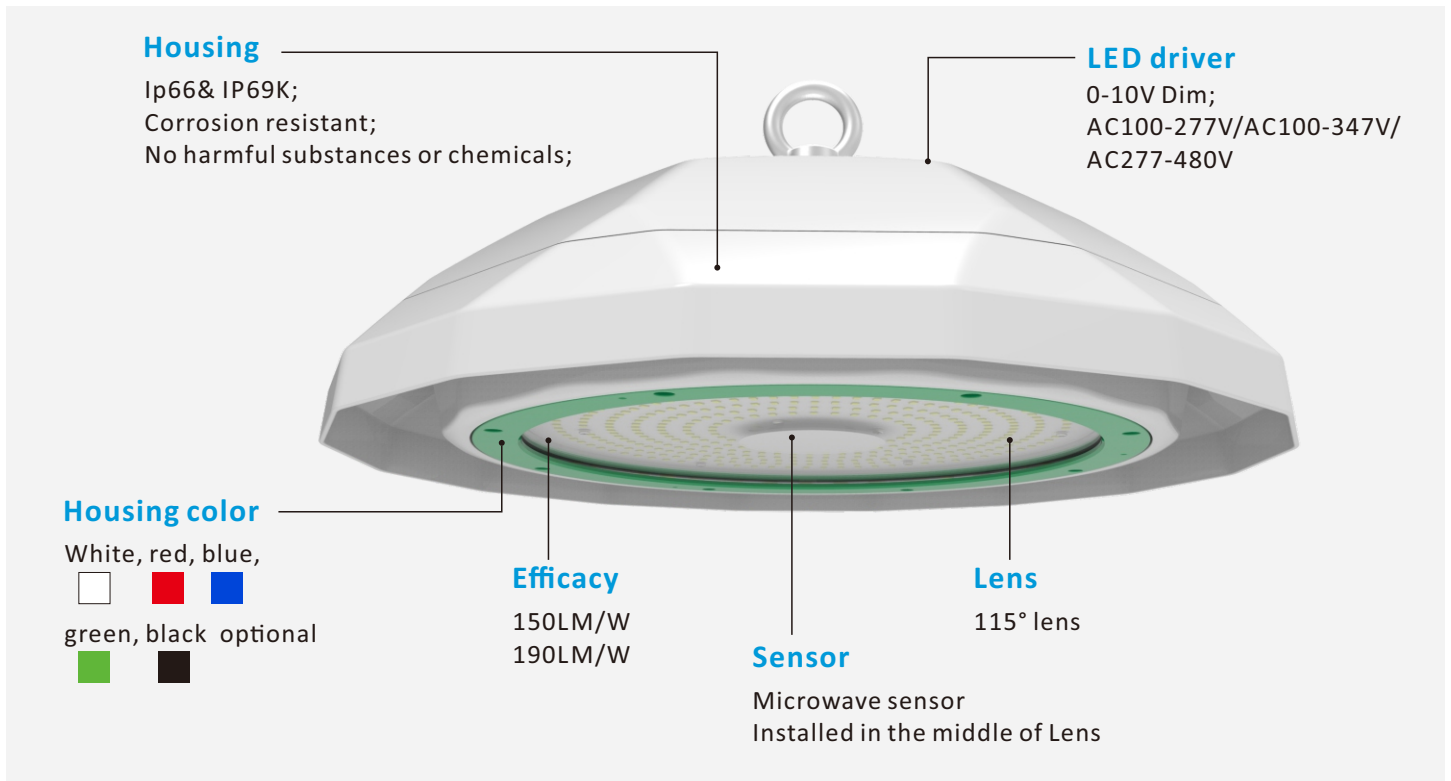
## Features

- ◆ Lumileds SMD LED
- ◆ High efficacy 150LM/W&190LM/W ;
- ◆ New private mold design ;
- ◆ AC100-277V/AC100-347V /277-480V Optional;
- ◆ 115° beam angle;
- ◆ 70/80 CRI optional ;
- ◆ IP66 & IP69K,can be washed directly ;
- ◆ Operating temperature: -40° ~ +50° ;
- ◆ 5 years warranty ;

### Application:

- Food processing spaces
- Farm / animal buildings.
- Car wash
- Fresh shop
- Supermarket





## Parameters

Model #	Size	Power	High Lumen		Extra High Lumen		Input voltage	CRI	CCT
			Efficacy	Lumen	Efficacy	Lumen			
XSY-HBDU80W-XXKAA -YZT	Φ17.08"*7.56"	80W	150LM/W	12000lm	190LM/W	15200lm	AC100-277V/ AC100-347V/ AC277-480V	>80	3000K 4000K 5000K 5700K
XSY-HBDU100W-XXKAA -YZT		100W		15000lm		19000lm			
XSY-HBDU150W-XXKAA -YZT		150W		22500lm		28500lm			
XSY-HBDU200W-XXKAA -YZT		200W		30000lm		38000lm			

## Ordering Guide

For example: XSY - HBD Q XXW - XXK AA - YZ T

Brand	Product name	Region	Power	CCT	Input voltage	Mounting	Sensor	Efficacy
XSY	HBD	Q	XXW	XXK	AA	Y	Z	T
XSY	HBD	E Europe	80W	30K 3000K	SV AC100-277V	D Suspending	S With	A 190lm/w
		U America	100W	40K 4000K	LV AC100-347V	G Pendant	D Without	B 150lm/w
		Blank Australia	150W	50K 5000K	HV AC277-480V			
			200W	57K 5700K				



## OFFICIAL LISTING

NSF certifies that the products appearing on this Listing conform to the requirements of  
NSF/ANSI 2 - Food Equipment

This is the Official Listing recorded on May 6, 2020.

### Facility: Shenzhen, China

LED Highbay Light for Splash and Nonfood Zone

XSY-HBDU100W-(1)KHV-(2)(3)(4)(5)<sup>[1]</sup> <sup>[2]</sup>  
XSY-HBDU100W-(1)KLV-(2)(3)(4)(5)<sup>[1]</sup> <sup>[2]</sup>  
XSY-HBDU100W-(1)KSV-(2)(3)(4)(5)<sup>[1]</sup> <sup>[2]</sup>  
XSY-HBDU125W-(1)KHV-(2)(3)(4)(5)<sup>[1]</sup> <sup>[2]</sup>  
XSY-HBDU125W-(1)KLV-(2)(3)(4)(5)<sup>[1]</sup> <sup>[2]</sup>  
XSY-HBDU125W-(1)KSV-(2)(3)(4)(5)<sup>[1]</sup> <sup>[2]</sup>  
XSY-HBDU150W-(1)KHV-(2)(3)(4)(5)<sup>[1]</sup> <sup>[2]</sup>  
XSY-HBDU150W-(1)KLV-(2)(3)(4)(5)<sup>[1]</sup> <sup>[2]</sup>  
XSY-HBDU150W-(1)KSV-(2)(3)(4)(5)<sup>[1]</sup> <sup>[2]</sup>  
XSY-HBDU185W-(1)KHV-(2)(3)(4)(5)<sup>[1]</sup> <sup>[2]</sup>  
XSY-HBDU185W-(1)KLV-(2)(3)(4)(5)<sup>[1]</sup> <sup>[2]</sup>  
XSY-HBDU185W-(1)KSV-(2)(3)(4)(5)<sup>[1]</sup> <sup>[2]</sup>  
XSY-HBDU200W-(1)KHV-(2)(3)(4)(5)<sup>[1]</sup> <sup>[2]</sup>  
XSY-HBDU200W-(1)KLV-(2)(3)(4)(5)<sup>[1]</sup> <sup>[2]</sup>  
XSY-HBDU200W-(1)KSV-(2)(3)(4)(5)<sup>[1]</sup> <sup>[2]</sup>  
XSY-HBDU80W-(1)KHV-(2)(3)(4)(5)<sup>[1]</sup> <sup>[2]</sup>  
XSY-HBDU80W-(1)KLV-(2)(3)(4)(5)<sup>[1]</sup> <sup>[2]</sup>  
XSY-HBDU80W-(1)KSV-(2)(3)(4)(5)<sup>[1]</sup> <sup>[2]</sup>  
XSY-HBPH100W-(1)K-(2)<sup>[3]</sup> <sup>[4]</sup>  
XSY-HBPH120W-(1)K-(2)<sup>[3]</sup> <sup>[4]</sup>  
XSY-HBPH150W-(1)K-(2)<sup>[3]</sup> <sup>[4]</sup>  
XSY-HBPH50W-(1)K-(2)<sup>[3]</sup> <sup>[4]</sup>  
XSY-HBPH80W-(1)K-(2)<sup>[3]</sup> <sup>[4]</sup>  
XSY-HBPHC100W-(1)K-(2)<sup>[3]</sup> <sup>[4]</sup>  
XSY-HBPHC120W-(1)K-(2)<sup>[3]</sup> <sup>[4]</sup>  
XSY-HBPHC150W-(1)K-(2)<sup>[3]</sup> <sup>[4]</sup>  
XSY-HBPHC50W-(1)K-(2)<sup>[3]</sup> <sup>[4]</sup>  
XSY-HBPHC80W-(1)K-(2)<sup>[3]</sup> <sup>[4]</sup>

Note: Additions shall not be made to this document without prior evaluation and acceptance by NSF.



XSY-HBPHHV100W-(1)K-(2)<sup>[3]</sup> <sup>[4]</sup>  
XSY-HBPHHV120W-(1)K-(2)<sup>[3]</sup> <sup>[4]</sup>  
XSY-HBPHHV150W-(1)K-(2)<sup>[3]</sup> <sup>[4]</sup>

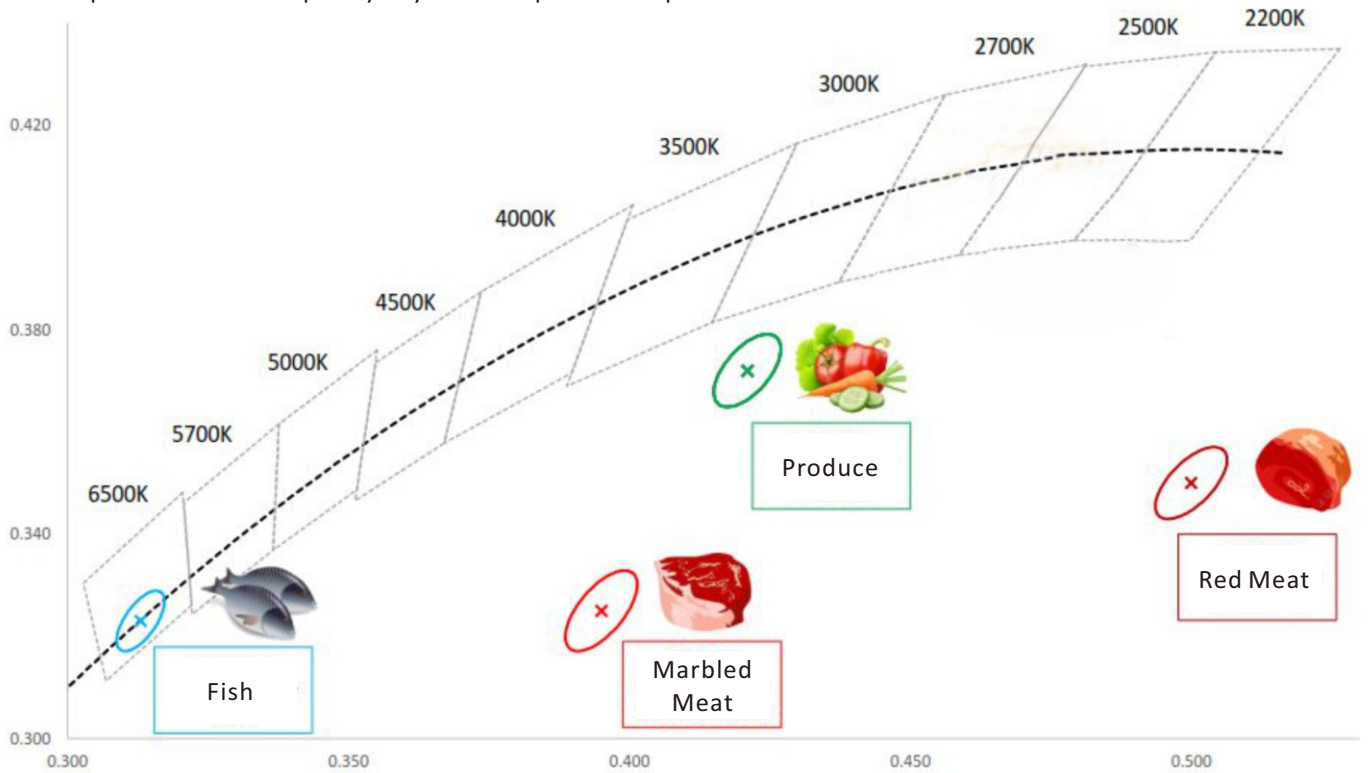
- [1] (1) Designates CCT (Correlated Color Temperature) of LED light, can be any alphanumerical character.
  - (2) Designates Mounting Means
    - D - Ring Pendant
    - G - Pole Mounted
  - (3) Designates Sensor
    - S - With sensor
    - N - Without sensor
  - (4) Designates Driver type
    - I - Isolated
    - C - Non-Isolated
  - (5) Designates Light Efficiency
    - A - High Light Efficiency
    - B - Normal Light Efficiency
- [2] Designates luminaire wattage: 80w, 100w, 125w, 150w, 185w, 200w  
The dimming will be 1-10V dimming or non dimming. DLC type will be Premium or standard.
- [3] (1) Can be any alphanumerical character, denotes color temperature of LED.  
(2) Can be any alphanumerical character, denotes beam angle of luminaires.
- [4] The wattage will be: 50W, 80W, 100W, 120W, 150W.  
The dimming will be 1-10V dimming or non dimming. DLC type will be Premium or standard.

Note: Additions shall not be made to this document without prior evaluation and acceptance by NSF.

2 of 2

# Special application-LED Fresh Food Light

Depending on different foods, food color and other factors, the different color schemes will be provided upon different application. Fresh food LED lighting recipes can help make the difference in your fresh food departments by improving both the presentation and quality of your most perishable products.



Housing in red;  
3500K for marbled meat;  
2200K for red meat



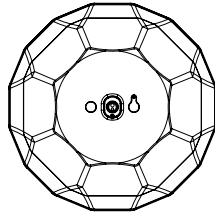
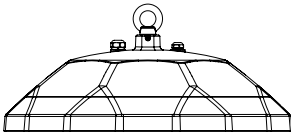
Housing in blue;  
6500K for Fish



Housing in green;  
3000K for produce

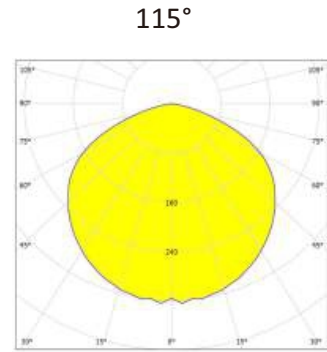


# Dimension



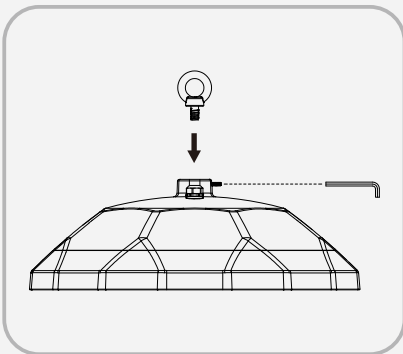
	80W-200W
Outlook Dimensions	Φ17.08"*7.56"

# Photometric

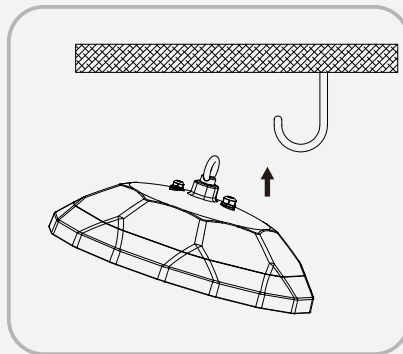


# Installation

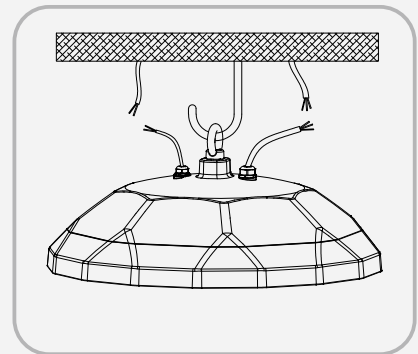
## O hook installation



1. Fix the ring to the lamp (rotate clockwise),tighten the screw

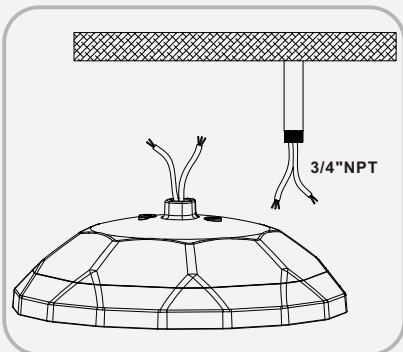


2. Put the ring into the mounting hook

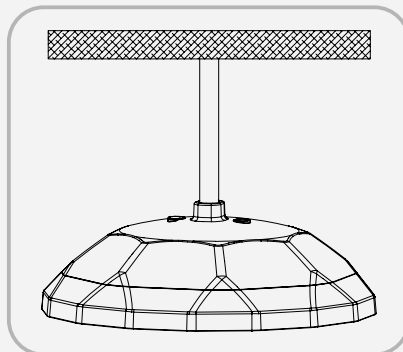


3. Wired as required under safety protection

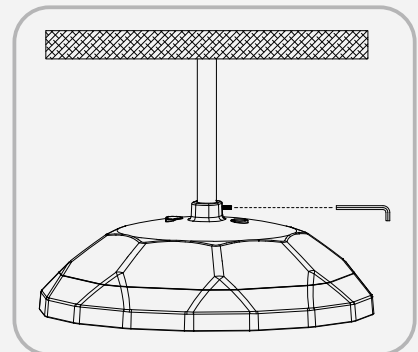
## Pendant installation



1. Wired as required under safety protection



2. Rotate the lamp to the mounting pipe (rotate clockwise)



3. tighten the screw

# Package Info.

Model	Carton Dimension	voltage	Qty / Carton	N.W	G.W	20GP	40HQ
80W/100W/150W	18.7"*18.7"*8.07"	All voltage	1pcs	12.3±0.5lbs	16.3±0.5lbs	520pcs	1320pcs
200W		Except AC277-480V	1pcs	15.0±0.5lbs	19.0±0.5lbs	520pcs	1320pcs
200W		AC277-480V	1pcs	16.5±0.5lbs	20.5±0.5lbs	520pcs	1320pcs

## Safety Precaution

To reduce the risk of death, personal injury or property damage from fire, electric shock, falling parts, cuts/abrasions, and other hazards read all warnings and instructions included with and on the fixture box and all fixture labels.

Before installing, servicing, or performing routine maintenance upon this equipment, follow these general precautions.

Commercial installation, service and maintenance of luminaires should be performed by a qualified licensed electrician.

For The installation: If you are unsure about the installation or maintenance of the luminaires, consult a qualified licensed electrician and check your local electrical code.

To prevent wiring damage or abrasion, do not expose wiring to edges of sheet metal or other sharp objects.

Do not make or alter any open holes in an enclosure of wiring or electrical components during kit installation.

### **WARNING: RISK OF FIRE OR ELECTRICAL SHOCK**

Turn off electrical power at fuse or circuit breaker box before wiring fixture to the power supply.

Turn off the power when you perform any maintenance.

Verify that supply voltage is correct by comparing it with the luminaire label information.

Make all electrical and grounded connections in accordance with the National Electrical Code and any applicable local code requirements.

All wiring connections should be capped with UL approved wire connectors.

### **CAUTION: RISK OF INJURY**

Avoid direct eye exposure to the light source while it is on.

Account for small parts and destroy packing material, as these may be hazardous to children.

