

FLOOD LIGHT(MFD11)



DESCRIPTION

MFD11 aims to provide customers with an economical, efficient, flexible and long-life floodlight. The low-profile and stylish exterior design can be well integrated into various architectural environments. Available in three sizes and multiple lumen packages from 15W-120W, this product also achieve up to 161lm/W efficiency. At the same time, it takes into account the functions of light control, CCT & Power adjustable, which can save energy to the greatest extent and facilitate customer stocking. Reliable IP65 structural design, MFD11 is very suitable for general flood lighting of courtyards, driveways, buildings, billboards, etc.

SPECIFICATION FEATURES

Construction

- Die-cast aluminum optimize the best heat dissipation management as the main part of the fixture, which effectively improves the LED efficiency.
- Durable surface coating powder spraying and fully sealed tempered glass can extend the durability of the fixture.

Optics

- Optics(NEMA Type): 7Hx7V.
- Scalable Lumen Packages from 2,050 to 19,000 Lumens.
- The use of advanced refraction and reflection optical design concepts provides an optimal combination of vertical and horizontal illumination.
- The heat-resistant and impact-resistant toughened glass maximizes light extraction while obtaining a great night appearance.

LED Module

- Light engines are available in color tunable version, the CCT can be changed to 3000K/4000K/5000K.

Electrical

- Universal 120-277 VAC input voltage.
- 1-10V dimming.
- Both drivers have a power factor >90%, THD <20%.
- Operating Temperature Range: -40°C - + 40°C (-40°F - + 104°F).

Control

- Photocell option.

Installation

- 1/2" NPS Knuckle, Slipfitter, Trunnion and Yoke are all available.

Lifespan

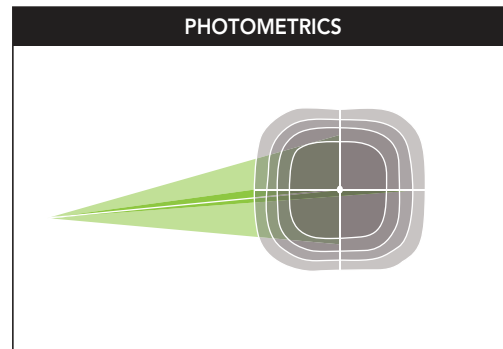
- Estimated 50,000-hour LED lifespan based on IES LM-80 results and TM-21 calculations.

Warranty

- Five-year warranty.

Note

Actual performance may differ as a result of end-user environment and application. All values are design or typical values, measured under laboratory conditions at 25°C (±5°C) specifications subject to change without notice.



STRUCTURAL DESIGN



Photocell (Option)

Optional photocell allows for security and energy saving

Optics

A high-reflective white reflector and tempered glass are used to shape the 7Hx7V light type. At the same time, the integrated visor that comes with the cover can reduce glare very well.

Optics

MFD11 have a powerful 1/2 NPS knuckle mount, and also available with either a slipfitter or yoke(trunnion) mount.



Housing

One-piece die-cast aluminum housing with optimal thermal management both enhances LED efficacy and extends fixture's life.

Power and CCT controllet

The wattage and CCT can be changed by switch selection on the controller, it easy and very fast to meet the varied requirements.



PERFORMANCE DATA

SYSTEM WATTS	VOLTAGE	DIST.TYPE	CRI	LUMENS (3000K)	LPW (3000K)	LUMENS (4000K)	LPW (4000K)	LUMENS (5000K)	LPW (5000K)
15W	120-277V	7Hx7V	70	2050lm	137 lm/W	2300lm	153 lm/W	2100lm	140 lm/W
27W	120-277V	7Hx7V	70	3500lm	130 lm/W	3800lm	141 lm/W	3600lm	133 lm/W
40W	120-277V	7Hx7V	70	5700lm	143 lm/W	6000lm	150 lm/W	5800lm	145 lm/W
65W	120-277V	7Hx7V	70	9200lm	142 lm/W	9700lm	149 lm/W	9400lm	145 lm/W
90W	120-277V	7Hx7V	70	13400lm	149 lm/W	14500lm	161 lm/W	13500lm	150 lm/W
120W	120-277V	7Hx7V	70	17500lm	146 lm/W	19000lm	158 lm/W	18000lm	150 lm/W

ADJUSTABLE LUMEN OUTPUT TABLE

SETTING	15W		27W		40W		65W		90W		120W	
	SYSTEM WATTS	LUMENS (5000K)	SYSTEM WATTS	LUMENS (5000K)	SYSTEM WATTS	LUMENS (5000K)	SYSTEM WATTS	LUMENS (5000K)	SYSTEM WATTS	LUMENS (5000K)	SYSTEM WATTS	LUMENS (5000K)
100%	16.3	2266	27.23	3672	39.9	5846	65.5	9438	94.35	13982	122.9	18092
80%	12.63	1790	20.4	2856	29.5	4542	54.3	7824	67.9	10535	98.82	15119
60%	10.02	1455	15.52	2234	21.94	3356	41.2	5937	50.9	8144	71.28	11206
40%	6.15	943	11.4	1690	14.3	2327	27.5	3963	33	5490	52.8	8581

ELECTRICAL DATA

Number Of Drivers	Driver Current (mA)	Nominal Power (W)	INPUT VOLTAGE (V)	CURRENT (Amps)
1	230	15	120	0.13
		15	208	0.07
		15	240	0.06
		15	277	0.05
1	450	27	120	0.23
		27	208	0.13
		27	240	0.11
		27	277	0.10
1	680	40	120	0.33
		40	208	0.19
		40	240	0.17
		40	277	0.14
1	980	65	120	0.54
		65	208	0.31
		65	240	0.27
		65	277	0.23
1	730	90	120	0.75
		90	208	0.43
		90	240	0.38
		90	277	0.32
1	960	120	120	1.00
		120	208	0.58
		120	240	0.50
		120	277	0.43

MOUNTING

1/2" Knuckle Mount(15W/27W/40W/65W)



Trunnion Mount(15W/27W/40W/65W)



Slipfitter Mount(90W/120W)



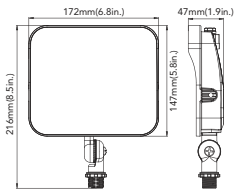
Yoke Mount(90W/120W)



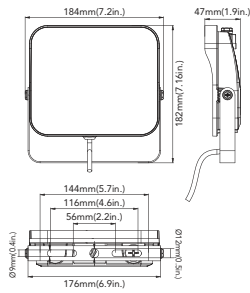
DIMENSIONS

unit: mm/inch

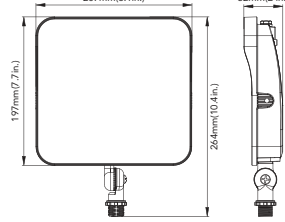
15W&27W(Knuckle Mount)



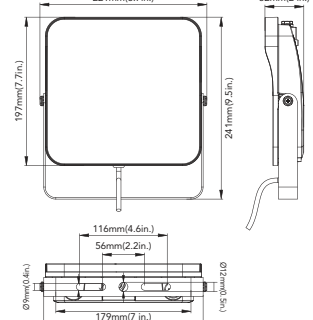
15W&27W(Trunnion Mount)



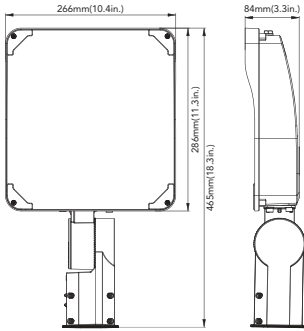
40W&65W(Knuckle Mount)



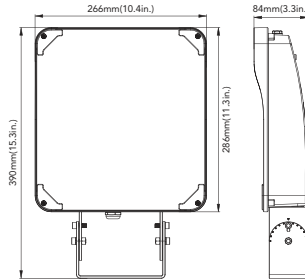
40W&65W(Trunnion Mount)



90W&120W(Slipfitter Mount)



90W&120W(Yoke Mount)



ORDERING GUIDE

Example:MFD1140W27VDDKYYYY

Fixture Type	Wattage	Voltage	CCT	Finish	Photocell (Option)	Mounting	Nema	Internal Code
MFD11 Flood Light series	15 15W 27 27W 40 40W 65 65W 90 90W 120 120W	27V 120-277V	DDK ³ Adjustable color temperature	D Dark Bronze B Black W White	P With Photocell Blank Without Photocell	TR ¹ Trunnion KN ¹ Knuckle YK ² Yoke SP ² Slipfitter	B77 7Hx7V	Blank Alphanumeric

Note: 1. 15W,27W,40W,65W only suitable for knuckle and trunnion.
 2. 90W,120W only suitable for slipfitter and yoke.
 3. CCT Adjustable (3000K/4000K/5000K).