



# UFO LED Highbay Light



## Project Information

Type \_\_\_\_\_

Name \_\_\_\_\_

Voltage \_\_\_\_\_

## Product Description

UFO highbay fixture has a beautiful design for indoor warehouse or car dealership indoor applications, combines the latest in LED technology 130lm/w brightness, 50000hrs waterproof Ip66 led driver, beautiful light distribution optic lense, High-performance illumination with typical energy of 80%, ideal for replacing 200-1000W Metal Halide or HPS light sources.



## Applications:

Indoor warehouse lighting, car dealership lighting or other inside areas



## Optional Motion Sensor



## Electric Characteristic:

Specification/Model	LS-5EHB100W-XXK-B	LS-5EHB150W-XXK-B	LS-5EHB200W-XXK-B	LS-5EHB240W-XXK-B
LED Chips	PHILIPS 3030 LED SOURCE			
Input power	100W	150W	200W	240W
Lumens output	13000LM	19500LM	26000LM	31200LM
Efficiency	130LM/W	130LM/W	130LM/W	130LM/W
CRI	> 82Ra			
Color Temperature	4000/5000/5700K			
Input voltage	100-277V			
Light distribution type	120D			
Working temperature	-30~+60°C			
Total Hmarmonic Distortion	13.5%			
Power Factor	0.93			
Certificate	ETL,cETL,DLC			
Equivalent	200-250W MH/HPS	250W-400W MH/HPS	400-600W MH/HPS	600-800W MH/HPS

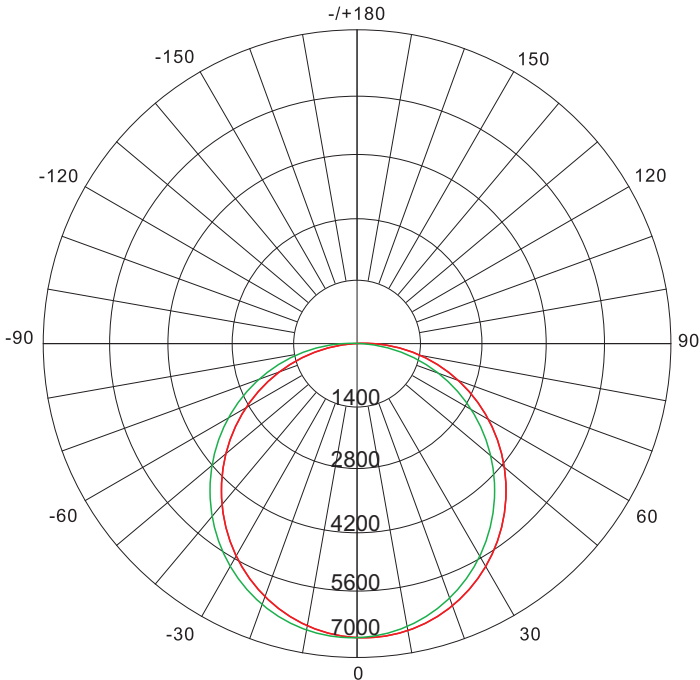
Specification/Model	LS-5EHB100WHV-XXK-B	LS-5EHB150WHV-XXK-B	LS-5EHB200WHV-XXK-B	LS-5EHB240WHV-XXK-B
LED Chips	PHILIPS 3030 LED SOURCE			
Input power	100W	150W	200W	240W
Lumens output	13000LM	19500LM	26000LM	31200LM
Efficiency	130LM/W	130LM/W	130LM/W	130LM/W
CRI	>82Ra			
Color Temperature	4000/5000/5700K			
Input voltage	200-480V			
Light distribution type	120D			
Working temperature	-30+60°C			
Total Hmarmonic Distortion	13.5%			
Power Factor	0.93			
Certificate	ETL,cETL,DLC			
Equivalent	200-250W MH/HPS	250W-400W MH/HPS	400-600W MH/HPS	600-800W MH/HPS

**DLC Ordering Model No Information**

Example: LS-5EHB100W-XXK-A

Product	Power	Replacement	Color Temperature	Options
LS-5EHB100W-XXK-B	100W	200W-250 MH/HPS	40K 4000K 50K 5000K 57K 5700K	5EHB=UFO highbay XXK=30K=3000K XXK=40K=3000K XXK=50K=5000K HV=200-480V high voltage
LS-5EHB150W-XXK-B	150W	250-400W MH/HPS		
LS-5EHB200W-XXK-B	200W	400-600W MH/HPS		
LS-5EHB240W-XXK-B	240W	600-800W MH/HPS		
LS-5EHB100WHV-XXK-B	100W	200W-250 MH/HPS		
LS-5EHB150WHV-XXK-B	150W	250-400W MH/HPS		
LS-5EHB200WHV-XXK-B	200W	400-600W MH/HPS		
LS-5EHB240WHV-XXK-B	240W	600-800W MH/HPS		

**Photometrics**

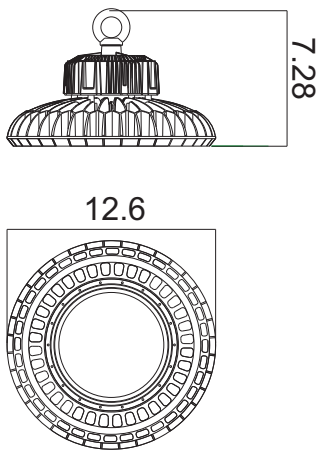


## Projected LED Lumen Maintenance

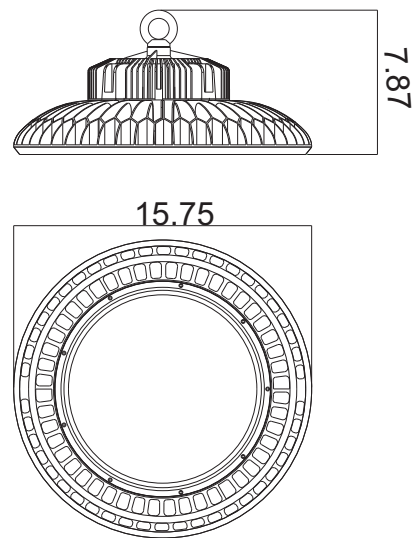
Operating hours	0	25000	50000
Lumen maintenance factor	1	0.91	0.8

Data references the extrapolated performance projections for the SHOEBOX LED platform in a 25°C ambient, based on 10,000 hours of LED testing (tested per IESNA LM-80-08 and projected per IESNA TM-21-11).

### Dimensions:



100-150W Dimension



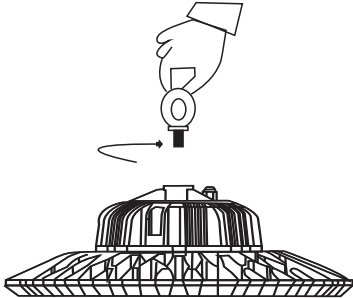
200-240W Dimension

### After sale Service:

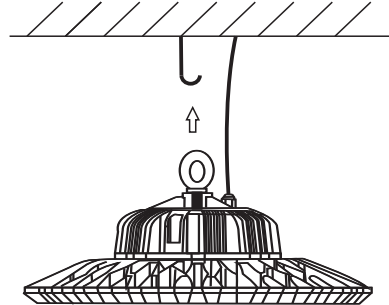
The product refers to electricians knowledge. Please do not disassemble it by yourself. If any quality problem happens, please contact the factory, for warranty details, contact factory.

NOTE: Actual performance may differ as a result of end-user environment and application. All values are without notice.

## A :Rings installed

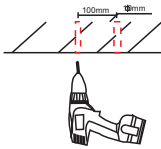


Step1  
Turn the ring clockwise into the power supply

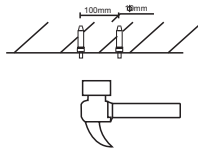


Step2  
First, according to the graphic lamp hanging hook above, and then connect the power first

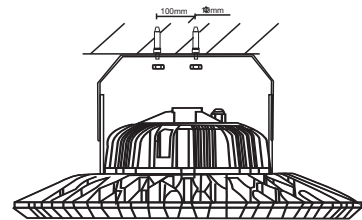
## B :Bracket installation



Step1  
Drill holes before installation



Step1  
Inset the screws into holes



Step1  
Fix the lamp with screw cap