

LED Architectural Wall Pack Series

Selectable Wattages: 12W/18W/24W/30W



LED Architectural Wall Pack series can be widely used in indoor or outdoor lighting (wet location). Ideal for museums, art galleries, shopping malls, office buildings, walls and many other applications.

WATT/CCT
SELECTABLE



FEATURES

- LED high luminous efficiency and long working life.
- High efficiency LED Driver, the wide range input voltage AC120-277V.
- Die-cast aluminum cooling design, high quality and better cooling for LED $T_j < 85^{\circ}\text{C}$.
- Excellent optics design, greatly improve the light utilization and evenness.
- Photocell (Standard), Wireless bluetooth system and Motion sensor control available (Optional)
- 12Vdc auxiliary dimming
- The 1-10V Dimming type is continuous.

High performance, die-cast heat sink transfers heat from the light engine to the environment, drawing heat away from the fixture, and extending the lifespan of the LEDs.



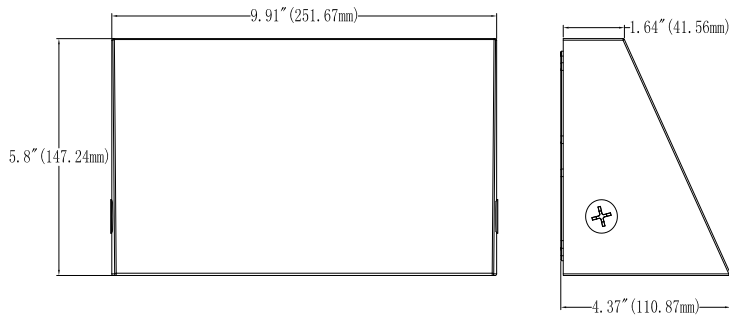
SPECIFICATION

WATTAGE	12W			18W			24W			30W		
LUMEN	1603 lm	1663 lm	1675 lm	2291 lm	2413 lm	2411 lm	2926 lm	3102 lm	3055 lm	3548 lm	3779 lm	3688 lm
EFFICACY	134 lm/W	142 lm/W	140 lm/W	130 lm/W	140 lm/W	136 lm/W	125 lm/W	136 lm/W	130 lm/W	120 lm/W	132 lm/W	125 lm/W
CCT	3000K	4000K	5000K	3000K	4000K	5000K	3000K	4000K	5000K	3000K	4000K	5000K
CRI	70											
INPUT VOLTAGE	AC120-277V											
BEAM ANGLE	Type V: 100.4 °X 91.6°											
POWER FACTOR	0.90											
DRIVER EFFICACY	90%											
FACTORY SETTINGS	30W & 4000K											
LIFE SPAN	over 50,000 hrs											
WORKING TEMPERATURE	-22°F ~ 113°F											
STORAGE TEMPERATURE	-40°F ~ 176°F											
OUTDOOR RATING	Wet location											
CABLE	5 core, 18AWG (0.3m)											
WARRANTY	5 year limited											

LED Architectural Wall Pack Series

Selectable Wattages: 12W/18W/24W/30W

DIMENSION



WATTAGE	12W-30W
NT. WEIGHT	4.28 lbs
INNER BOX	11.22" x 5.12" x 6.70"
OUTER BOX	12.01" x 11.22" x 14.57" (4Pcs/CTN)

EMERGENCY BACK-UP (SOLD SEPARATELY)



WSD-EMPK04E27-4W
4W Emergency Backup
Battery LED Driver

CONTROL (SOLD SEPARATELY)



BRI810-B-M7
Microwave Motion Sensor



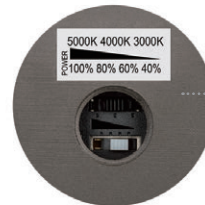
RC100
Remote Controller
(Matched microwave
BRI810-B-M7 is used)



**PHOTOCELL
STANDARD**
P (Photocell)

Optical lens is made of high quality PC material to make the light even and soft.

**WATT/CCT
SELECTABLE**



ORDERING INFORMATION

EXAMPLE:

WSD-AFW12182430W27-345K-Z[D,W,B,S]-Y[Blank,P]-E[Blank,M]

WSD	AFW	12182430W	27	345K	Z	Y	E
COMPANY	PRODUCT	WATTAGE	VOLTAGE	CCT	FINISH	CONTROL	CONTROL
WSD LED INC	AFW LED Architectural Wall Pack	12182430W (12W/18W/ 24W/30W)	27 (AC120-277V)	345K - (3000K/4000K/5000K)	D - (Dark Bronze) W - (White) B - (Black) S - (Silver)	P - (Photocell)	M - (Motion Sensor)

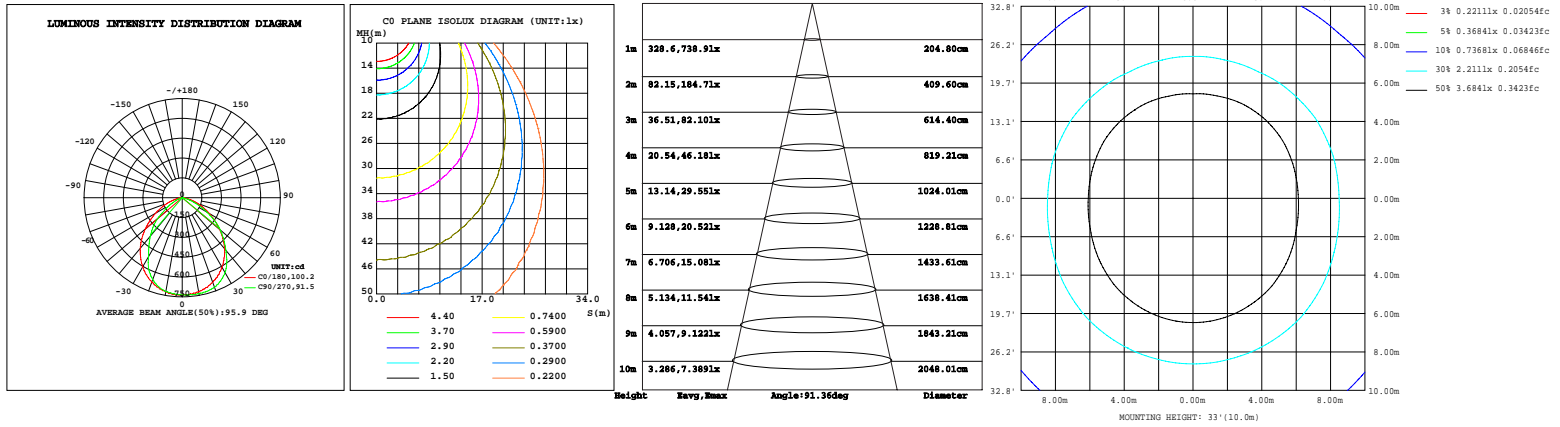
LED Architectural Wall Pack Series

Selectable Wattages: 12W/18W/24W/30W

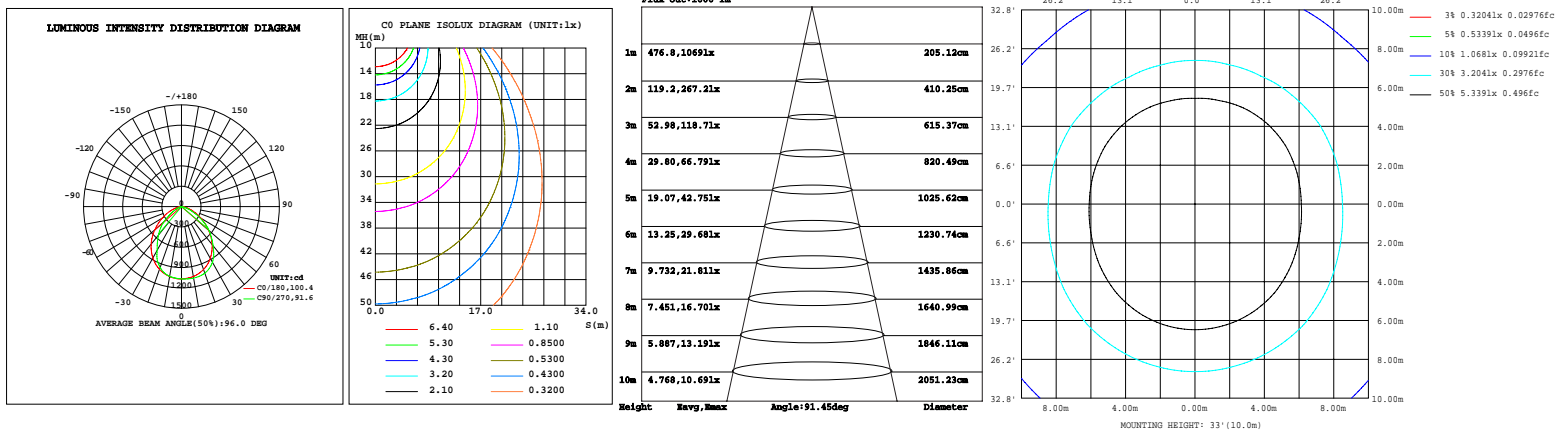
PHOTOMETRICS

For complete IES files, please visit our website.

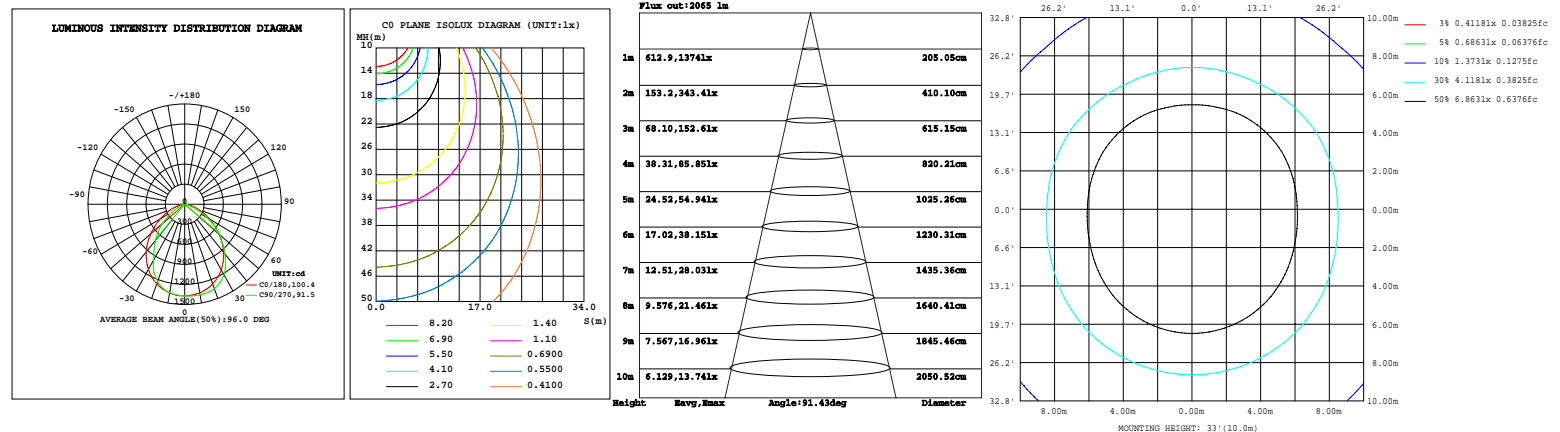
WSD-AFW12182430W27-345K-D (12W@4000K)



WSD-AFW12182430W27-345K-D (18W@4000K)



WSD-AFW12182430W27-345K-D (24W@4000K)



LED Architectural Wall Pack Series

Selectable Wattages: 12W/18W/24W/30W

PHOTOMETRICS

For complete IES files, please visit our website.

WSD-AFW12182430W27-345K-D (30W@4000K)

