

# LED LINEAR HIGH BAY(MLH04)



## Applications:

Suitable for commercial, retail and institutional applications including gymnasiums, factories and warehouses.

## Features

- Visual comfortable light comes from a simple contour.
- Best choice for replacing fluorescent lamps with high efficacy.
- Voltage is 120-277V & 347-480V.
- Optional prismatic diffuser reduces glare light toughly.
- Optional frosted diffuser delivers best light uniformity.
- Motion Sensor optional and supports Emergency Battery.
- Standard 1-10V dimming.
- Steel wire rope(default included), pendant or surface mounting available.
- Projected life span of 50,000 hrs.
- Operating temperature is  $-40^{\circ}\text{C}$  to  $55^{\circ}\text{C}$  ( $-40^{\circ}\text{F}$  to  $131^{\circ}\text{F}$ ).

90W&E130W



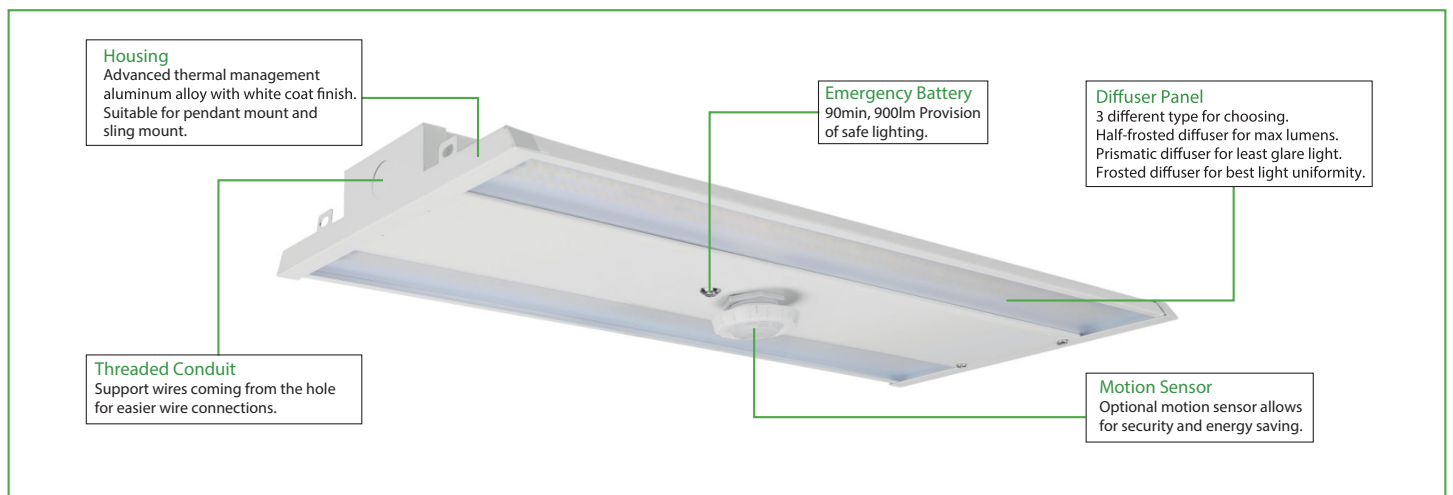
130W&180W&210W



L130W&L180W&L210W



270W&300W&370W



# DIFFUSER OPTIONS



Half-frosted Diffuser (High efficacy)



Prismatic Diffuser (Low glare)



Frosted Diffuser (Soft light)

# PERFORMANCE DATA

SYSTEM WATTS	VOLTAGE	LENS	4000K(CRI80)		5000K(CRI80)	
			LUMENS	LPW	LUMENS	LPW
90W	120-277VAC/347-480V	Half-frosted Diffuser	12600lm	140lm/W	12600lm	140lm/W
		Prismatic Diffuser	12000lm	133lm/W	12000lm	133lm/W
		Frosted Diffuser	11700lm	130lm/W	11700lm	130lm/W
E130W	120-277VAC/347-480V	Half-frosted Diffuser	18500lm	142lm/W	18500lm	142lm/W
		Prismatic Diffuser	17600lm	135lm/W	17600lm	135lm/W
		Frosted Diffuser	17200lm	132lm/W	17200lm	132lm/W
130W	120-277VAC/347-480V	Half-frosted Diffuser	18500lm	142lm/W	18500lm	142lm/W
		Prismatic Diffuser	17600lm	135lm/W	17600lm	135lm/W
		Frosted Diffuser	17200lm	132lm/W	17200lm	132lm/W
180W	120-277VAC/347-480V	Half-frosted Diffuser	25200lm	140lm/W	25200lm	140lm/W
		Prismatic Diffuser	24000lm	133lm/W	24000lm	133lm/W
		Frosted Diffuser	23400lm	130lm/W	23400lm	130lm/W
210W	120-277VAC/347-480V	Half-frosted Diffuser	29000lm	138lm/W	29000lm	138lm/W
		Prismatic Diffuser	27600lm	131lm/W	27600lm	131lm/W
		Frosted Diffuser	27000lm	129lm/W	27000lm	129lm/W
L130W	120-277VAC/347-480V	Half-frosted Diffuser	18500lm	142lm/W	18500lm	142lm/W
		Prismatic Diffuser	17600lm	135lm/W	17600lm	135lm/W
		Frosted Diffuser	17200lm	132lm/W	17200lm	132lm/W
L180W	120-277VAC/347-480V	Half-frosted Diffuser	24000lm	133lm/W	24000lm	133lm/W
		Prismatic Diffuser	22800lm	127lm/W	22800lm	127lm/W
		Frosted Diffuser	22300lm	124lm/W	22300lm	124lm/W
L210W	120-277VAC/347-480V	Half-frosted Diffuser	29000lm	138lm/W	29000lm	138lm/W
		Prismatic Diffuser	27600lm	131lm/W	27600lm	131lm/W
		Frosted Diffuser	27000lm	129lm/W	27000lm	129lm/W
270W	120-277VAC/347-480V	Half-frosted Diffuser	37000lm	137lm/W	37000lm	137lm/W
		Prismatic Diffuser	35200lm	130lm/W	35200lm	130lm/W
		Frosted Diffuser	34400lm	127lm/W	34400lm	127lm/W
300W	120-277VAC/347-480V	Half-frosted Diffuser	41500lm	138lm/W	41500lm	138lm/W
		Prismatic Diffuser	39400lm	131lm/W	39400lm	131lm/W
		Frosted Diffuser	38600lm	129lm/W	38600lm	129lm/W
370W	120-277VAC/347-480V	Half-frosted Diffuser	50500lm	136lm/W	50500lm	136lm/W
		Prismatic Diffuser	48000lm	130lm/W	48000lm	130lm/W
		Frosted Diffuser	47000lm	127lm/W	47000lm	127lm/W

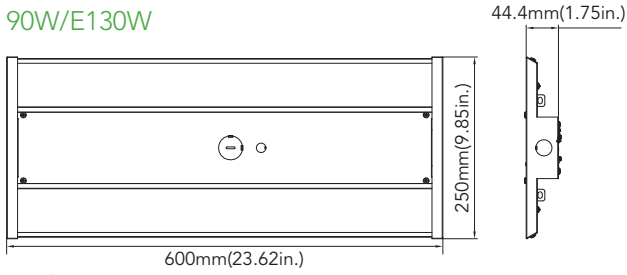
# ELECTRICAL DATA

Number Of Drivers	Driver Current (mA)	Nominal Power (W)	INPUT VOLTAGE (V)	CURRENT (Amps)
1	2400	90	120	0.75
		90	208	0.43
		90	240	0.38
		90	277	0.32
		90	347	0.26
		90	480	0.19
2	3300	E130	120	1.08
		E130	208	0.63
		E130	240	0.54
		E130	277	0.47
	3200	E130	347	0.37
		E130	480	0.27
2	3300	130	120	1.08
		130	208	0.63
		130	240	0.54
		130	277	0.47
		130	347	0.37
		130	480	0.27
2	4800	180	120	1.50
		180	208	0.87
		180	240	0.75
		180	277	0.65
		180	347	0.52
		180	480	0.38
2	5200	210	120	1.75
		210	208	1.01
		210	240	0.88
		210	277	0.76
		210	347	0.61
		210	480	0.44
2	3000	130	120	1.08
		130	208	0.63
		130	240	0.54
		130	277	0.47
	3200	130	347	0.37
		130	480	0.27
2	4800	180	120	1.50
		180	208	0.87
		180	240	0.75
		180	277	0.65
		180	347	0.52
		180	480	0.38
4	6520	270	120	2.25
		270	208	1.30
		270	240	1.13
		270	277	0.97
	6400	270	347	0.78
		270	480	0.56
4	7200	300	120	2.50
		300	208	1.44
		300	240	1.25
		300	277	1.08
	7400	300	347	0.86
		300	480	0.63
4	9600	370	120	3.08
		370	208	1.78
		370	240	1.54
		370	277	1.34
		370	347	1.07
		370	480	0.77

# DIMENSION

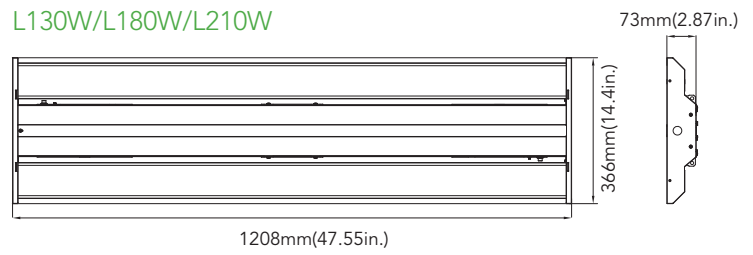
unit: inch/mm

## 90W/E130W



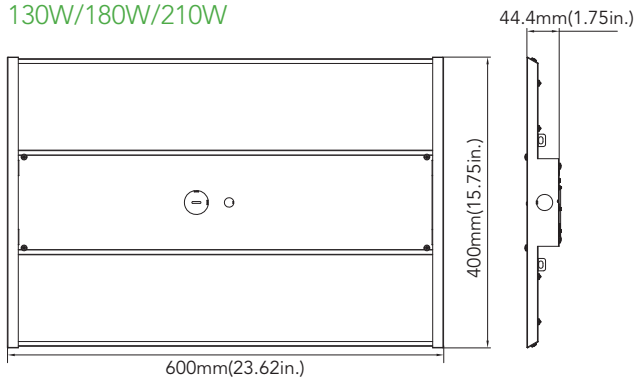
Weight  
90W: 5.84 lbs  
E130W: 7.32 lbs

## L130W/L180W/L210W



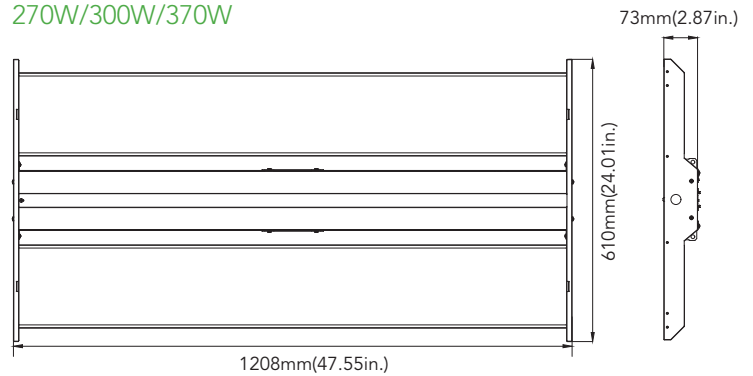
Weight  
L130W: 13.91 lbs  
L180W: 14.76 lbs  
L210W: 15.12 lbs

## 130W/180W/210W



Weight  
130W: 8.92 lbs  
180W: 9.19 lbs  
210W: 9.26 lbs

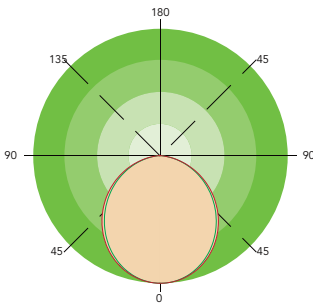
## 270W/300W/370W



Weight  
270W: 22.46 lbs  
300W: 22.49 lbs  
370W: 22.50 lbs

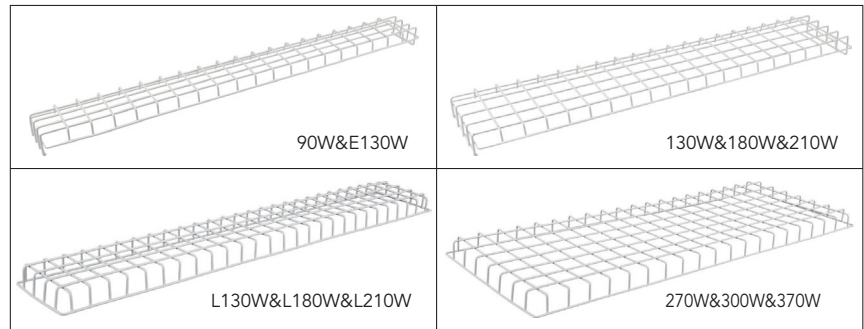
# PHOTOMETRICS

## General



# ACCESSORY

Every fixture can be fitted with wire guard to avoid luminous surface being damaged.



# ORDERING GUIDE

Example: MLH04130W27V50KCD

Fixture Type	Wattage	Voltage	CCT	Lens	Sensor (Option)	Backup Battery (Option)	Internal Code
<input type="checkbox"/>	<input type="checkbox"/>	<input type="checkbox"/>	<input type="checkbox"/>	<input type="checkbox"/>	<input type="checkbox"/>	<input type="checkbox"/>	<input type="checkbox"/>
<b>MLH04</b> Linear high bay series	<b>90</b> 90W <b>E130</b> E130W <b>130</b> 130W <b>180</b> 180W <b>210</b> 210W <b>L130</b> 130W <b>L180</b> 180W <b>L210</b> L210W <b>270</b> 270W <b>300</b> 300W <b>370</b> 370W	<b>27V</b> 120-277V <b>48V</b> 347-480V	<b>40K</b> 4000K <b>50K</b> 5000K	<b>CD</b> Half-frosted Diffuser <b>PD</b> Prismatic Diffuser <b>FD</b> Frosted Diffuser	<b>M</b> Motion Sensor <b>Blank</b> Without Sensor	<b>B</b> Emergency Battery <b>Blank</b> Without Emergency Battery	<b>Blank</b> <b>Alphanumeric</b>

Note: 1. Emergency battery is not optional while the voltage is 347-480V.

2. 130W unable to configure emergency battery owing to limited internal space.

# DLC Model NO.

SYSTEM WATTS	VOLTAGE	CCT	LED NO.	DLC NO.	DLC Classification
90W	120-277V/347-480V	4000K	2835	MLH0490W[27,48]V40KCD[Blank,M][Blank,B][Blank,A-Z,a-z,0-9]	Premium
		5000K	2835	MLH0490W[27,48]V50KCD[Blank,M][Blank,B][Blank,A-Z,a-z,0-9]	Premium
130W	120-277V/347-480V	4000K	2835	MLH04130W[27,48]V40KCD[Blank,M][Blank,B][Blank,A-Z,a-z,0-9]	Premium
		5000K	2835	MLH04130W[27,48]V50KCD[Blank,M][Blank,B][Blank,A-Z,a-z,0-9]	Premium
180W	120-277V/347-480V	4000K	2835	MLH04180W[27,48]V40KCD[Blank,M][Blank,B][Blank,A-Z,a-z,0-9]	Premium
		5000K	2835	MLH04180W[27,48]V50KCD[Blank,M][Blank,B][Blank,A-Z,a-z,0-9]	Premium
210W	120-277V/347-480V	4000K	2835	MLH04210W[27,48]V40KCD[Blank,M][Blank,B][Blank,A-Z,a-z,0-9]	Premium
		5000K	2835	MLH04210W[27,48]V50KCD[Blank,M][Blank,B][Blank,A-Z,a-z,0-9]	Premium
L130W	120-277V/347-480V	4000K	2835	MLH04L130W[27,48]V40KCD[Blank,M][Blank,B][Blank,A-Z,a-z,0-9]	Premium
		5000K	2835	MLH04L130W[27,48]V50KCD[Blank,M][Blank,B][Blank,A-Z,a-z,0-9]	Premium
L180W	120-277V/347-480V	4000K	2835	MLH04L180W[27,48]V40KCD[Blank,M][Blank,B][Blank,A-Z,a-z,0-9]	Premium
		5000K	2835	MLH04L180W[27,48]V50KCD[Blank,M][Blank,B][Blank,A-Z,a-z,0-9]	Premium
270W	120-277V/347-480V	4000K	2835	MLH04270W[27,48]V40KCD[Blank,M][Blank,B][Blank,A-Z,a-z,0-9]	Premium
		5000K	2835	MLH04270W[27,48]V50KCD[Blank,M][Blank,B][Blank,A-Z,a-z,0-9]	Premium
300W	120-277V/347-480V	4000K	2835	MLH04300W[27,48]V40KCD[Blank,M][Blank,B][Blank,A-Z,a-z,0-9]	Premium
		5000K	2835	MLH04300W[27,48]V50KCD[Blank,M][Blank,B][Blank,A-Z,a-z,0-9]	Premium
370W	120-277V/347-480V	4000K	2835	MLH04370W[27,48]V40KCD[Blank,M][Blank,B][Blank,A-Z,a-z,0-9]	Premium
		5000K	2835	MLH04370W[27,48]V50KCD[Blank,M][Blank,B][Blank,A-Z,a-z,0-9]	Premium