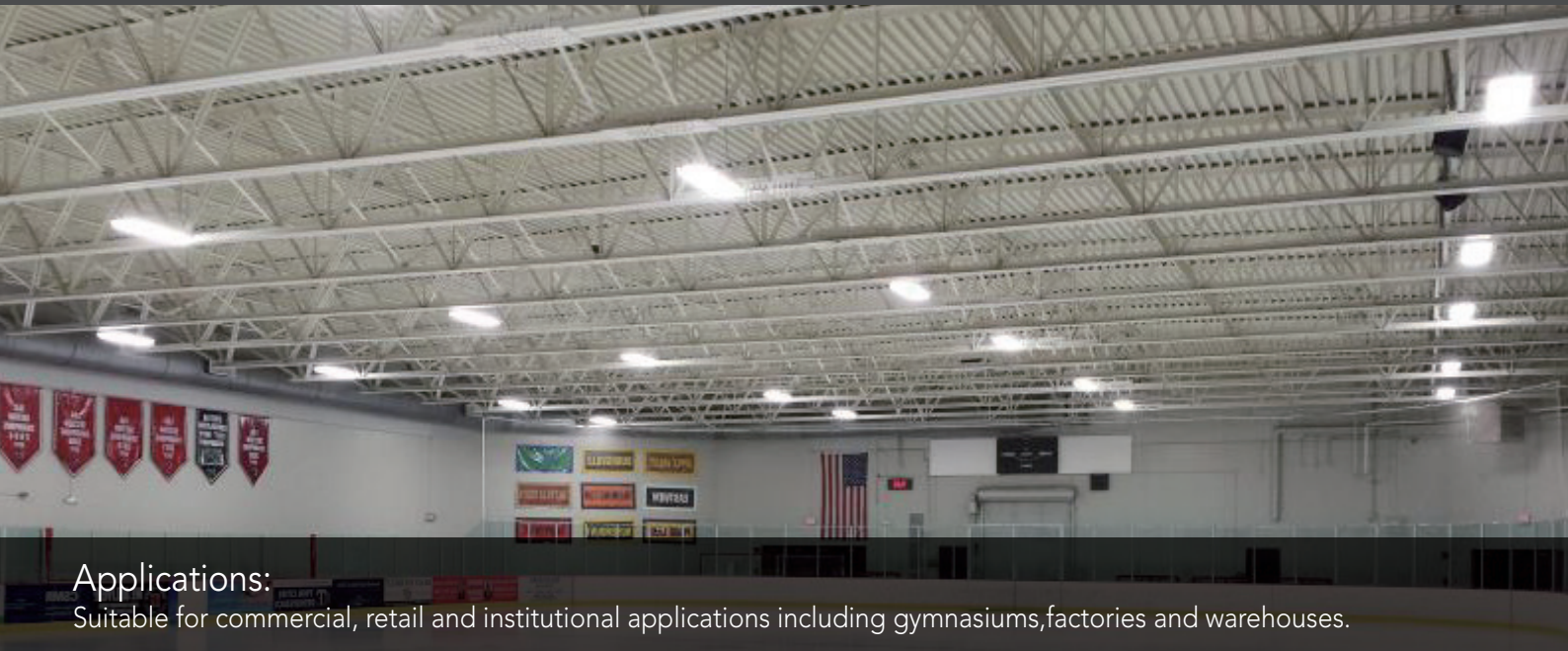


LED LINEAR HIGH BAY(MLH06)



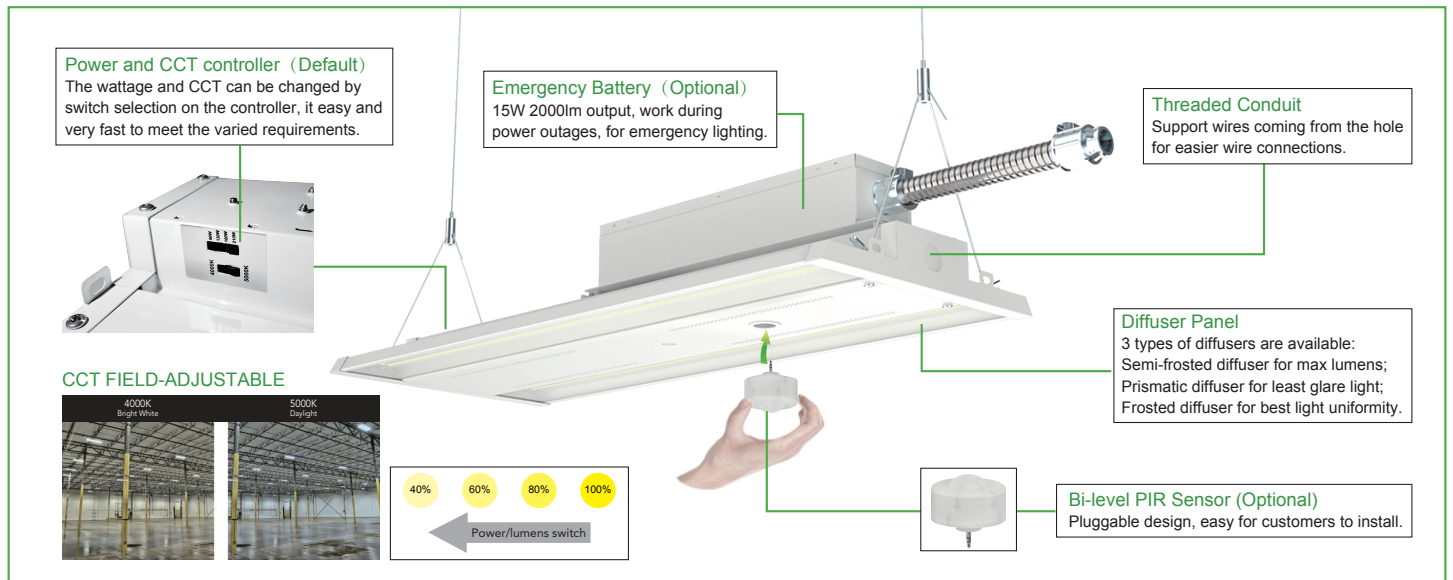
Applications:

Suitable for commercial, retail and institutional applications including gymnasiums, factories and warehouses.

Features

- Visual comfortable light comes from a simple contour.
- Best choice for replacing fluorescent lamps with high efficacy.
- Voltage is 120-277V & 347-480V.
- Optional prismatic diffuser reduces glare light toughly.
- Optional frosted diffuser delivers best light uniformity.
- Bi-level microwave sensor is optional and supports Emergency Battery.
- Steel wire rope(default included), pendant or surface mounting available.
- Projected lifespan of 50,000 hrs.
- Operating temperature is -40°C to 40°C (-40°F to 104°F).

Note: Operating with Emergency Battery temperature range: 0°C to 40°C ($+32^{\circ}\text{F}$ - $+104^{\circ}\text{F}$).



DIFFUSER OPTIONS



Semi-frosted Diffuser (High efficacy)



Prismatic Diffuser (Low glare)



Frosted Diffuser (Soft light)

PERFORMANCE DATA

SYSTEM WATTS	VOLTAGE	LENS	4000K(CRI70)		5000K(CRI70)	
			LUMENS	LPW	LUMENS	LPW
210W	120-277VAC/347-480V	Semi-frosted Diffuser	30000lm	142lm/W	30000lm	142lm/W
		Prismatic Diffuser	27930lm	133lm/W	27930lm	133lm/W
		Frosted Diffuser	27300lm	130lm/W	27300lm	130lm/W

ADJUSTABLE LUMEN OUTPUT TABLE

SYSTEMWATTS	VOLTAGE	LENS	4000K(CRI70)		5000K(CRI70)	
			LUMENS	LPW	LUMENS	LPW
210W	120-277VAC/347-480V	Semi-frosted Diffuser	30000lm	142lm/W	30000lm	142lm/W
172W	120-277VAC/347-480V	Semi-frosted Diffuser	24000lm	140lm/W	24000lm	140lm/W
129W	120-277VAC/347-480V	Semi-frosted Diffuser	18000lm	140lm/W	18000lm	140lm/W
86W	120-277VAC/347-480V	Semi-frosted Diffuser	12000lm	140lm/W	12000lm	140lm/W

ELECTRICAL DATA

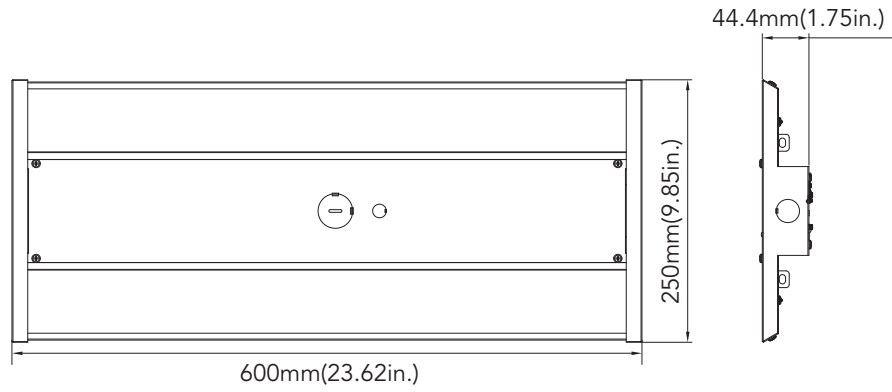
Number Of Drivers	Driver Current (mA)	Nominal Power (W)	INPUT VOLTAGE (V)	CURRENT (Amps)
1	1060	210	120	1.75
		210	208	1.01
		210	240	0.88
		210	277	0.76
		210	347	0.61
		210	480	0.44

DIMENSION

unit: inch/mm

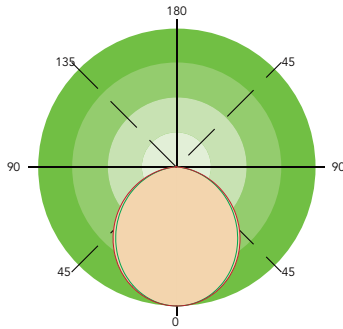
Weight

210W: 9.26 lbs

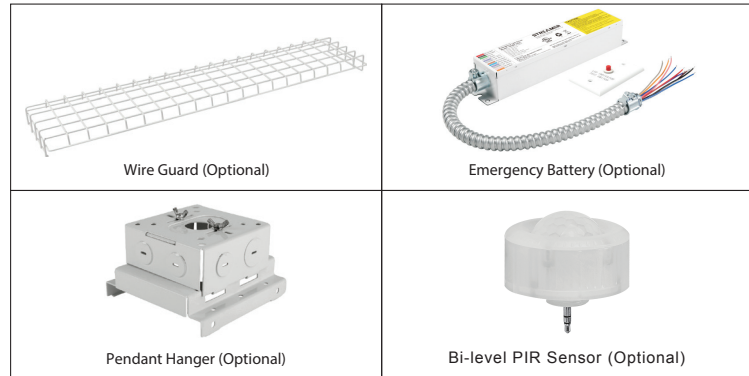


PHOTOMETRICS

General



ACCESSORY



ORDERING GUIDE

Example: MLH06210W27VDDKCD

Fixture Type	Wattage	Voltage	CCT	Lens	Sensor (Option)	Backup Battery (Option)	Internal Code
<input type="checkbox"/>	<input type="checkbox"/>	<input type="checkbox"/>	<input type="checkbox"/>	<input type="checkbox"/>	<input type="checkbox"/>	<input type="checkbox"/>	<input type="checkbox"/>
MLH06 Linear high bay series	210W	27V 120-277V 48V 347-480V	DDK Adjustable color temperature	CD Semi-frosted Diffuser PD Prismatic Diffuser FD Frosted Diffuser	M Motion Sensor Blank Without Sensor	B Emergency Battery Blank Without Emergency Battery	Blank Alphanumeric

Note: Pendant and surface mounting isn't supported with emergency battery.