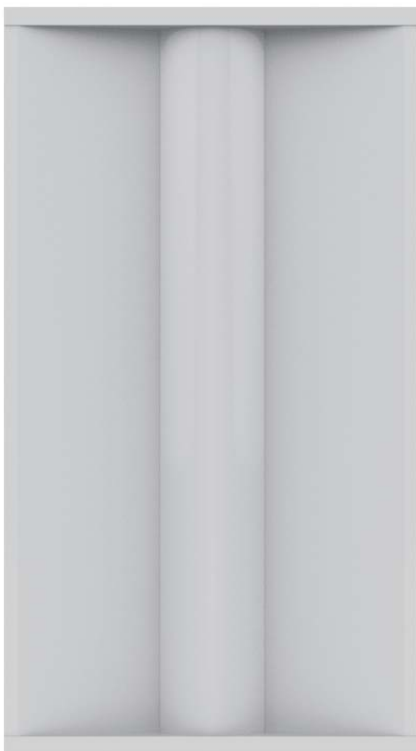


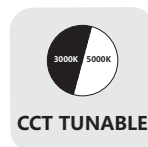
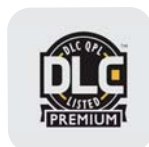
Product Appearance



2x2



2x4



Product Features

- 1. DIP Switch: 4 different Power and 3000-6500K CCT tunable.
- 2. Smooth and comfortable light, no glare, no flicker.
- 3. High lighting efficiency:> 130lm/W.
- 4. Ra>80, PF>0.95, THD<15%.
- 5. White Metal body, ensures durable quality and efficient heat dissipation.
- 6. High-quality 0-10V dimming isolated driver. High driver efficiency:>90%.
- 7. Smart options for bi-level dimming, motion sensor and emergency functions.
- 8. Convenient access to retrofit. Ideal for office, retail and other architectural spaces.
- 9. ETL and DLC premium certified.
- 10. Five years' warranty.

Specification

Mode	Power	Input Voltage	Dimmable	Input Current	PF	Light Efficacy	Ra	CCT
GL-TTR-22-40W-L-H	25-30-35-40W	AC100-277V	0-10V	0.4A	>0.9	130lm/w	80	3000K-6500K
GL-TTR-24-50W-L-H	35-40-45-50W	AC100-277V	0-10V	0.5A	>0.9	130lm/w	80	3000K-6500K



CCT Tunable



2x2
Watt Tunable



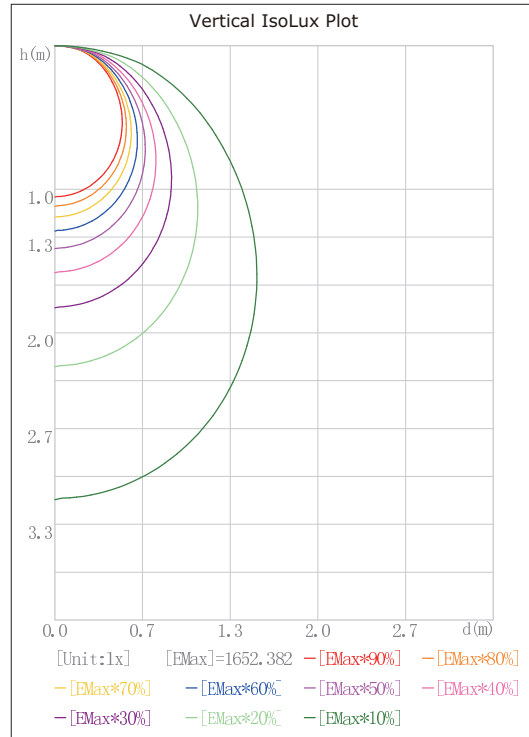
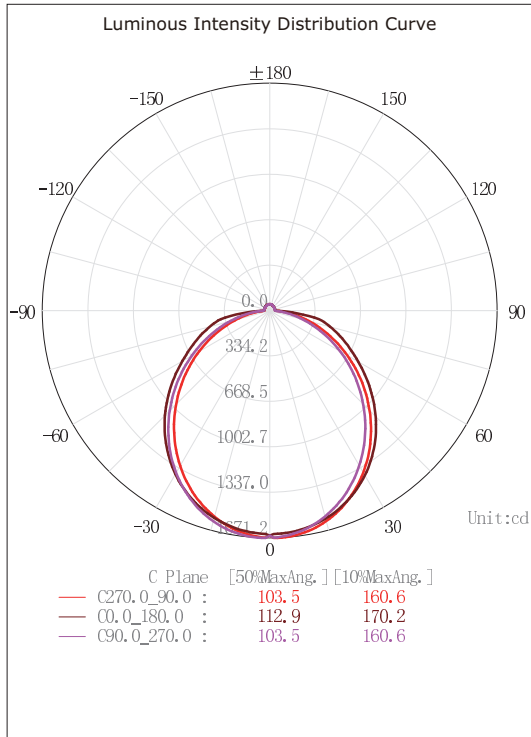
2x4
Watt Tunable



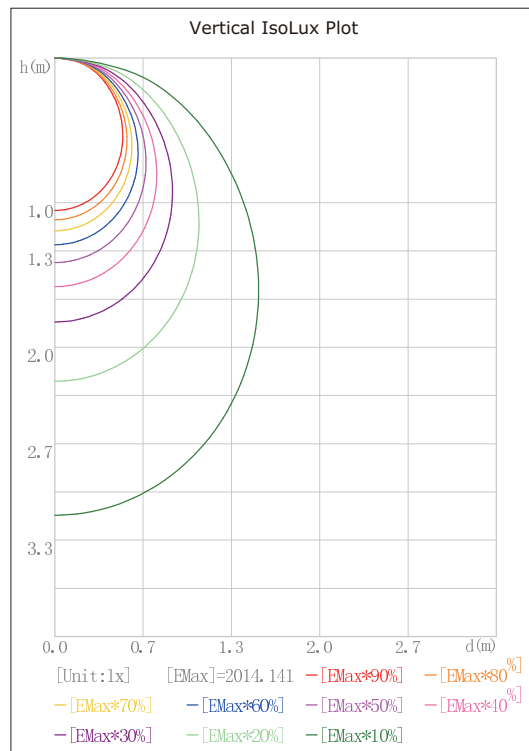
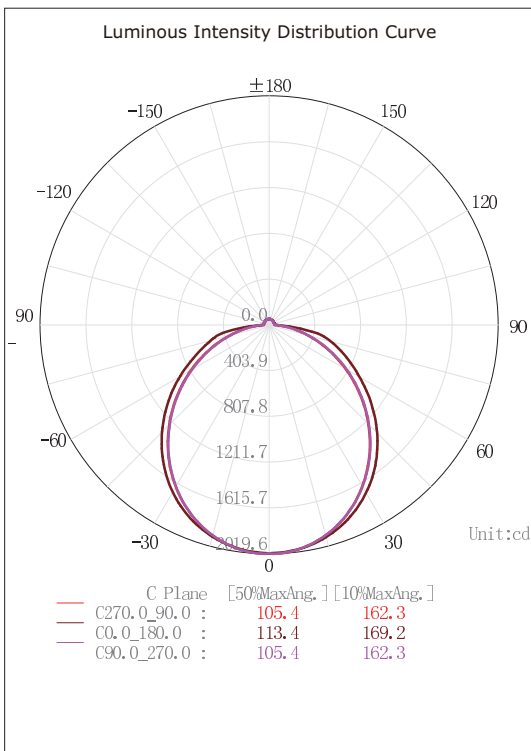
- 25W 3000K
- 25W 3500K
- 25W 4000K
- 25W 5000K
- 30W 3000K
- 30W 3500K
- 30W 4000K
- 30W 5000K
- 35W 3000K
- 35W 3500K
- 35W 4000K
- 35W 5000K
- 40W 3000K
- 40W 3500K
- 40W 4000K
- 40W 5000K

Testing Report

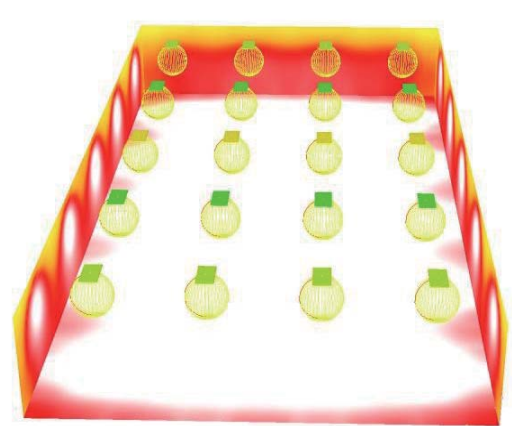
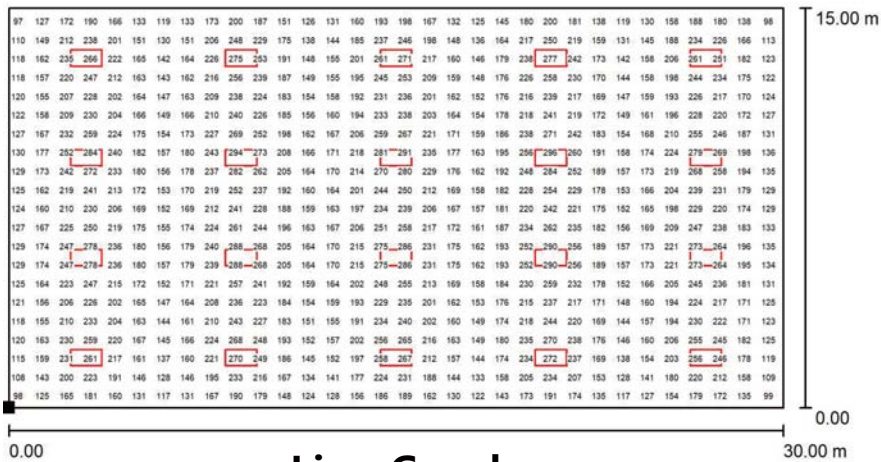
2X2 LUMINOUS INTENSITY DISTRIBUTION DIAGRAM



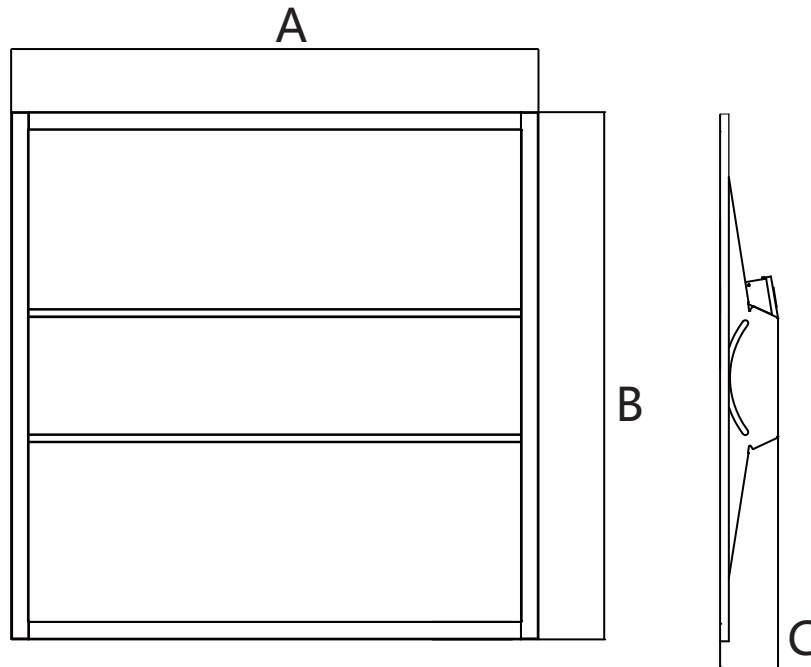
2X4 LUMINOUS INTENSITY DISTRIBUTION DIAGRAM



Simulation chart



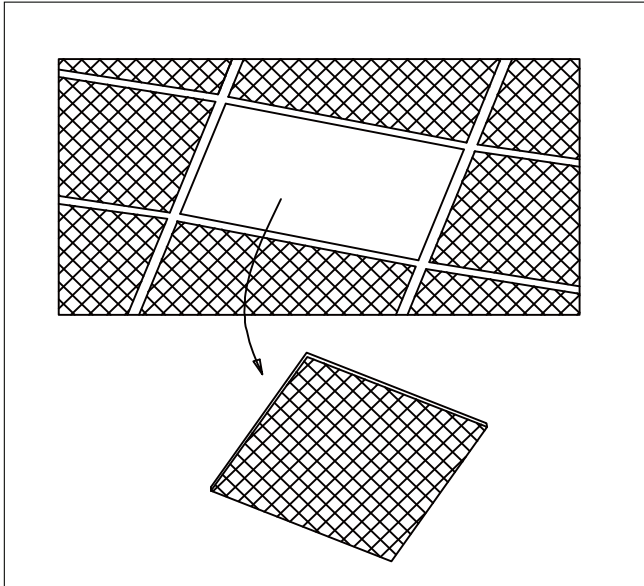
Product Dimension



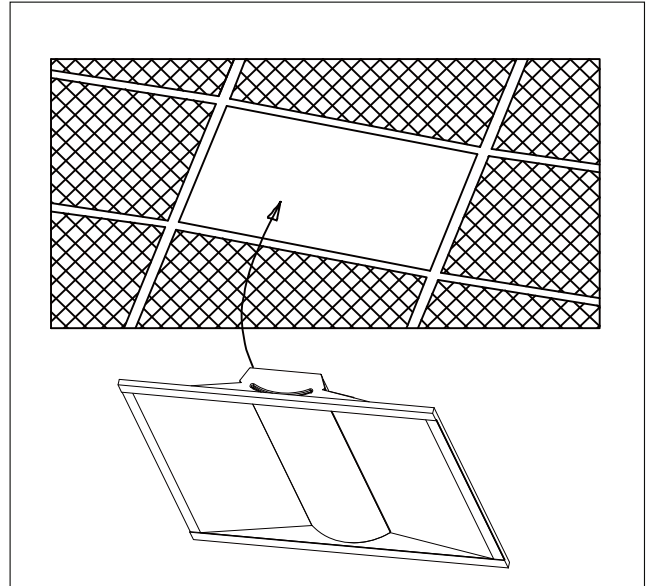
size	Mode	A (inch)(mm)	B (inch)(mm)	C (inch)(mm)
2x2FT	GL-TTR-22-40W-L-H	23.74" (603mm)	23.74" (603mm)	2.64" (67mm)
2x4FT	GL-TTR-24-50W-L-H	47.72" (1212mm)	23.74" (603mm)	2.64" (67mm)

Installation

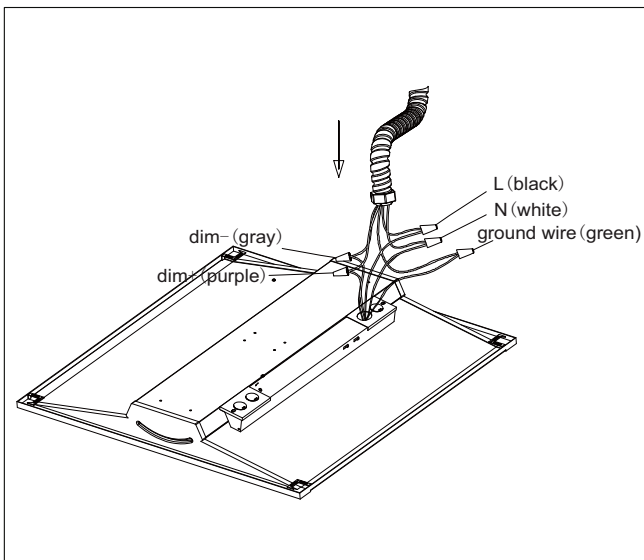
1. Remove 2x2 or 2x4 the from ceiling



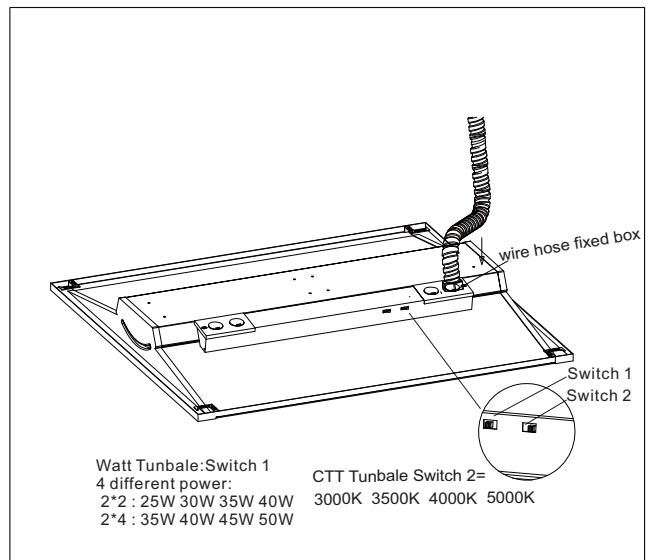
2. Put on the LED troffer



3. Connecting wire: As shown in the following figure: leading the wires pls use terinal cap to connect white wires, black wires and ground wires in pairs if dimmingfunction is needed, then you need use terinal capto connect purple wires and gray wires in pairs.



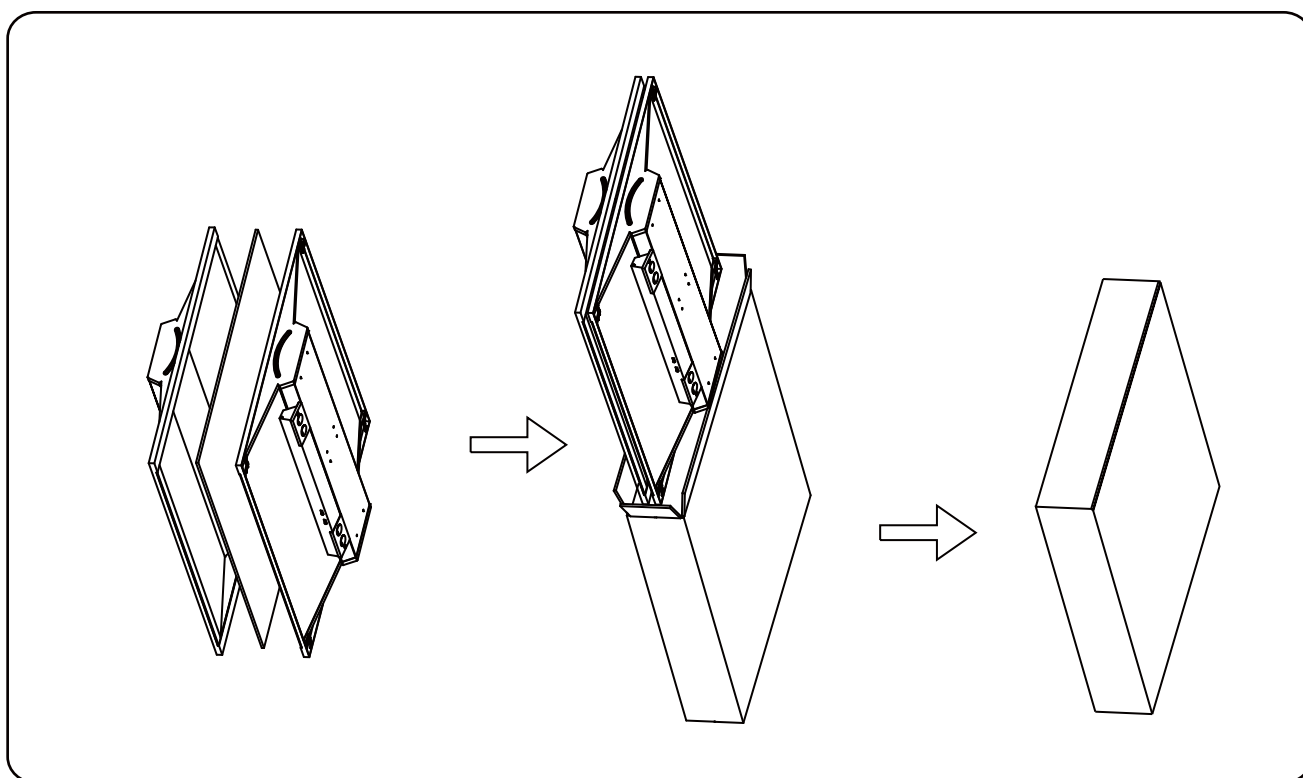
4. Fixed wire hose on the troffer, Then installation is completed.(0-10V CCT& Watts adjustable isolated-driver)



Packing /weight

Part NO.	Outer Carton Size (LxWxH)	Qty/Carton (pcs)	Net weight (kg)(lbs)	Gross weight (kg)(lbs)	20GP (QTY)	40HQ (QTY)
GL-TTR-22-40W-L-H	(1223*148*620mm) (48.15"x5.83"x24.4")	2PCS	2.6Kg 5.7lbs	6.2Kg 13.6 lbs	966	2290
GL-TTR-24-50W-L-H	(613*148*620mm) (24.13x5.83"x24.4")	2PCS	4.6Kg 10.1lbs	10.5Kg 23.1lbs	486	1154

Packing



Power and CCT Tunable LED Troffer Light



Note

- 1.The installation and maintenance must be completed by electricians or professionals.
- 2.Please cut off the power before installation and maintenance.
- 3.The fixture is not allowed to be covered by thermally insulating material.
4. Please keep away from the corrosive substance,and keep the fixture dry and clean.
5. Working temperature:-4°F~104°F, storage temperature:-22°F~140°F.