

C Series

LED Explosion Proof Light



C2

C

C3

Certifications:

- ◆ Marking ATEX
 - ◆ II2 G Ex db IIB T5/T6 Gb
 - ◆ II2 D Ex tb IIIC T80/90C Db IP66
- ◆ Marking IECEx
 - ◆ Ex db IIB T5/T6 Gb
 - ◆ Ex tb IIIC T80/90C Db IP66
- ◆ Marine Marking
 - ◆ UL 1598, UL1598A
 - ◆ ABS
- ◆ Marking UL844 (North American)
 - ◆ Class I, Division 1, Groups C,D
 - ◆ Class I, Division 2, Groups A,B,C,D
 - ◆ Class II, Division 1, Groups E,F,G
 - ◆ Class II, Division 2, Groups F,G
 - ◆ Class III
- ◆ IP66

Standard Materials:

- ◆ Housing: Copper-free aluminum
- ◆ Lens: Tempered glass
- ◆ Hardware: Stainless steel
- ◆ Mounting Bracket: Stainless steel

LED Explosion Proof Light - C Series

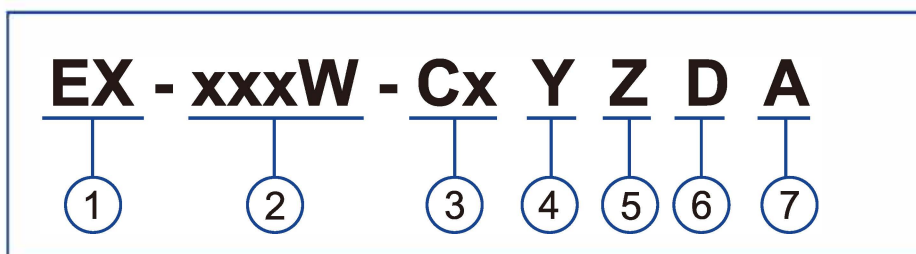
Key Features:

- ① Dimmable and battery backup function is available.
- ② High-quality SMT LED and Meanwell driver.
- ③ Heavy-duty and high impact resistance.
- ④ Replaceable LED board and drivers.
- ⑤ Integrated junction box for driver.
- ⑥ Marine rating powder coated finish treatment.
- ⑦ Various installation ways for different applications.
- ⑧ Glass lens or polycarbonate lens for making different beam angles.

Additional Features:

- ◆ Emergency battery backup is available.
- ◆ 5-year warranty.
- ◆ Working Temperature: -40°C to 60°C (-40°F to 140°F); ATEX & IECEx (IC solution): -40°C to 80°C (-40°F to 176°F).

Catalog Number Logic:



① PRODUCT CATEGORY

- ◆ Explosion proof light

② WATTAGE

- ◆ 20W-280W

③ PRODUCT SERIES

- ◆ C ◆ C2 ◆ C3

④ DIMMING OPTION

- ◆ D= dimmable
- ◆ N= Non-dimmable

⑤ CCT

- ◆ From 2200K to 7000K
- ◆ 22=2200K, 30=3000K, ..., 70=7000K

⑥ BEAM ANGLE

- ◆ D40= 40° ◆ D90= 90°
- ◆ D60= 60° ◆ D120= 120°

⑦ GLASS TYPE

- ◆ A=blank: Flat glass
- ◆ A=C: Spherical glass

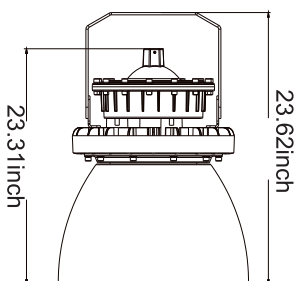
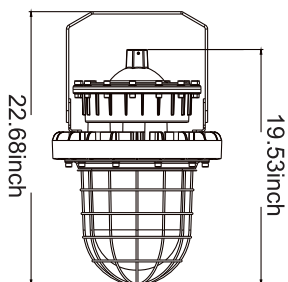
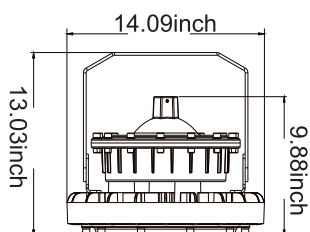
LED Explosion Proof Light - C Series

Technical Data:

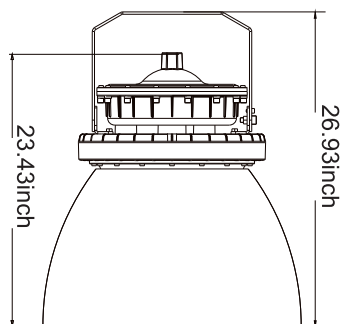
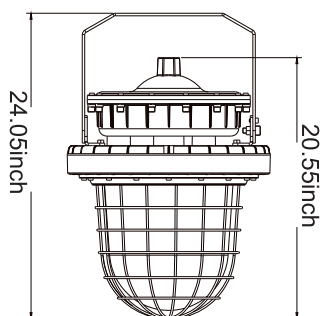
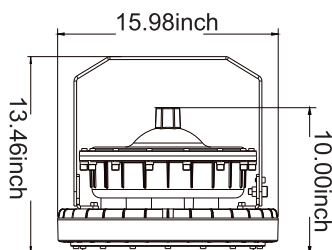
Model	Wattage	Operating Voltage	Lumens (lm)	Efficacy (lm/W)	CRI	CCT	Emergency Time
EX-20W C2YZDA	20W	AC100-277V/DC12-48V, AC200-480V	2,800	140	>70	2200K-7000K	3 hours
EX-40W C2YZDA	40W		5,600				
EX-60W C2YZDA	60W		8,400				
EX-80W C2YZDA	80W		11,200				
EX-100W CYZDA	100W		14,000				
EX-120W CYZDA	120W		16,800				
EX-150W CYZDA	150W		21,000				
EX-180W CYZDA	180W		25,200				
EX-200W C3YZDA	200W		28,000				
EX-240W C3YZDA	240W		33,600				
EX-250W C3YZDA	250W		35,000				
EX-280W C3YZDA	280W		39,200				

Dimensions:

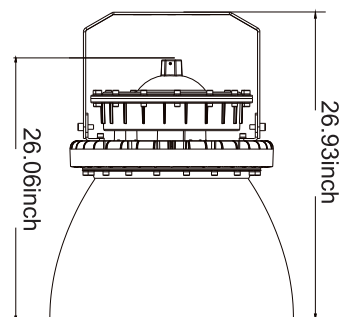
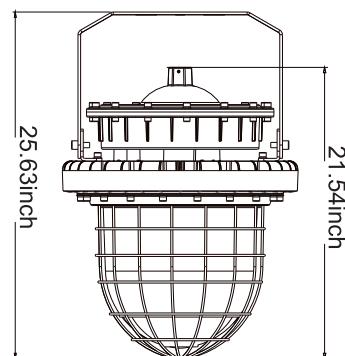
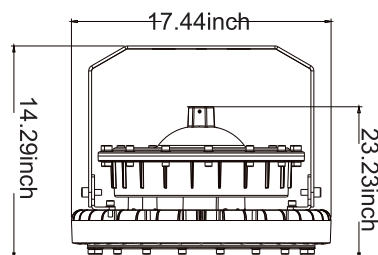
C2 Series



C Series



C3 Series



LED Explosion Proof Light - C Series

Photometry:

Center Beam fc	Beam Width	
4ft	2008fc	4ft
8ft	480fc	7ft
12ft	203fc	11ft
16ft	115fc	15ft
20ft	98fc	19ft

■ Vert, Spread; 40°
■ Horiz, Spread; 40°

40°

Center Beam fc	Beam Width	
4ft	1434fc	6ft
8ft	343fc	11ft
12ft	145fc	17ft
16ft	81fc	22ft
20ft	69fc	27ft

■ Vert, Spread; 60°
■ Horiz, Spread; 60°

60°

Center Beam fc	Beam Width	
4ft	1024fc	8ft
8ft	255fc	15ft
12ft	105fc	24ft
16ft	58fc	32ft
20ft	39fc	39ft

■ Vert, Spread; 90°
■ Horiz, Spread; 90°

90°

Center Beam fc	Beam Width	
4ft	683fc	11ft
8ft	170fc	21ft
12ft	73fc	32ft
16ft	39fc	43ft
20ft	26fc	53ft

■ Vert, Spread; 120°
■ Horiz, Spread; 120°

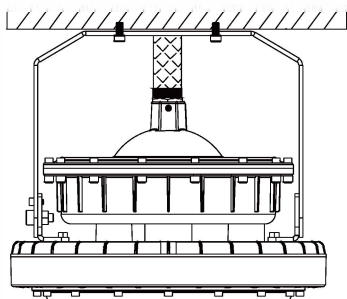
120°

Packing Information:

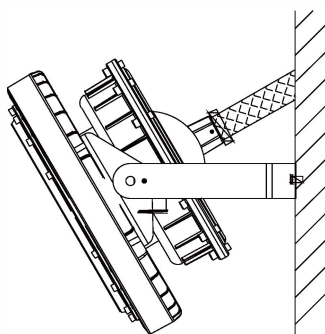
Model	Quantity/Carton	Packing Size	Net Weight	Gross Weight
C2	1 PCS	18.50x18.50x13.58inch	14 kg/ 30.86 lbs	16 kg/ 35.27 lbs
C	1 PCS	21.65x20.47x14.17inch	17.4 kg/ 38.36 lbs	19 kg/ 41.89 lbs
C3	1 PCS	21.85x21.85x13.58inch	21 kg/ 46.30 lbs	25 kg/ 55.12 lbs

Mounting Methods:

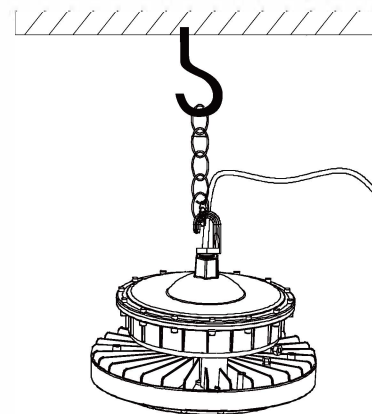
◆ Ceiling Mounting:



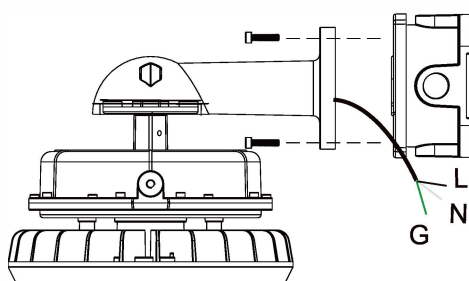
◆ Wall Mounting:



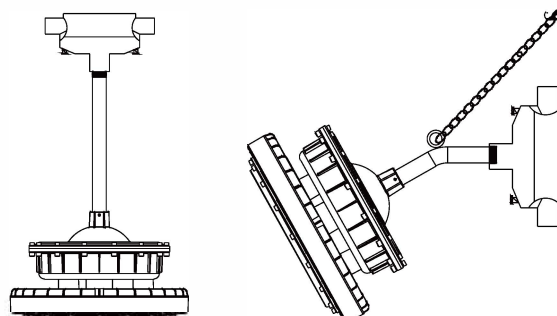
◆ Hook Pendant Mounting:



◆ Wall Mounting to Junction Box:



◆ Pole Mounting:



LED Explosion Proof Light - C Series

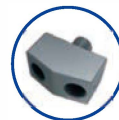
Accessories:



- **Model: Ex-Junction Box**
Name: Junction Box
Material: Aircraft Aluminum A383



- **Model: Ex-25° Arm Support**
Name: 25° Arm Support
Material: Aircraft Aluminum A356



- **Model: Ex-D01**
Name: Pendant Direction Adapter
Material: Aircraft Aluminum A383



- **Model: EX-Bended Pipe**
Name: Bended Pipe
Material: Iron



- **Model: Ex-Lamp Shade**
Name: Lamp Shade
Material: Aluminum A1070



- **Model: Ex-Conduit 01**
Name: Metal Conduit
Material: Stainless Steel and Aluminum



- **Model: Ex-90° Arm Support**
Name: 90° Arm Support
Material: Aircraft Aluminum A356



- **Model: Ex-Lamp Shade**
Name: Cut o flamp shade
Material: Aluminum A1070



- **Model: EX-Straight Pipe**
Name: Straight Pipe
Material: Iron



- **Model: EX-Hook**
Name: Installation Hook
Material: Aircraft Aluminum A383



- **Model: Ex-Chain**
Name: Pendant Chain
Material: Stainless Steel S30400

Application :

- ◆ Oil and gas industry
 - All petroleum production and refining
 - Petroleum loading and transportation
 - Petroleum storage and retail
 - LNG industry
 - All mining operations and service
- ◆ Ocean, marine and aerospace field
 - Ocean platform operation facilities
 - Aerospace clean room and production
 - Ocean vessel operations
- ◆ Food and alcohol industry
 - Flour and fine particle production and storage
 - Food and distilling production
 - Alcohol industry
- ◆ Chemical industry
 - All types of paint facilities
 - Chemical production and storage
- ◆ Metal treatment
 - Steel and aluminum factories
 - Pumping stations in any environment
 - Metal smelting, foundry and fabrication
- ◆ Other high humidity, high dust, high temperature, vapor locations.