

5Watts 5CCT LED Troffer Light



Date:..... Location: .....

Product:..... Project:.....

Quantity:..... Catalog# .....

**FEATURES**

- 5 Watts 5CCT adjustable panel. Plug & Play Sensor
- Easy install by Recessed or surface mounts.
- Built-in junction box Fits standard T-grid ceilings
- Optical lenses over LED chip, pc cover never yellow over time.
- 50,000hours Life time.

**SUITABLE APPLICATIONS**

- Office Lighting
- Meeting room lighting
- Store lighting
- Restaurant lighting

**CONSTRUCTION:**

Quality white Aluminum heat sink and high transmission PC cover.

**ELECTRICAL:**

Available as 120-277V input,0-10v dimmable. -25°C to45°C.

**OPTICAL SYSTEM:**

High brightness lumileds LED chips as backlit lighting solution.

**INSTALLATION&MOUNTING:**

Suspended Ceiling Mounting/ Frame Flash Mounting

**WARRANTY:**

5-year limited warranty. Actual performance maydiffer as a result of end-user environment and.application.

**PERFORMANCE**

Model NO	SIZE	Wattage	Voltage	Light Efficiency	Kelvin Options
LS-TF22M40W5CCT	2X2	15/20/25/30/40W	100-277V	5200LM at 40W 50K	35/40/50/57/65K
LS-TF24M50W5CCT	2X4	25/30/35/40/50W	100-277V	6500LM at 50W 50K	35/40/50/57/65K

# 5Watts 5CCT LED Troffer Light

## Electric Characteristic

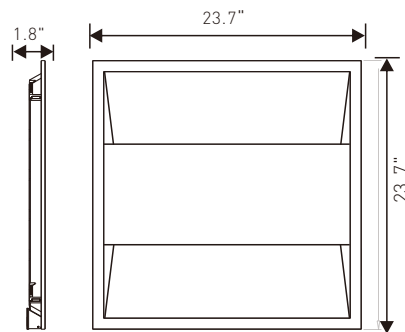
Specification/Model	LS-TF22M40W5CCT	LS-TF24M50W5CCT
LED Driver	UL listed Driver 0-10 dimmable	
Input power tunable	15/20/25/30/40W	25/30/35/40/50W
Lumens output	5200LM at 40W 50K	5200LM at 40W 50K
Efficiency	130LM/W	130LM/W
CRI	>80	>80
Color Temperature	35/40/50/57/65K Tunable	35/40/50/57/65K Tunable
Input voltage	120-277V/AC	120-277V/AC
Light distribution type	110D	110D
Working temperature	-25+45°C	-25+45°C
Junction temperature	<75°C	<75°C
lamps efficiency	≥90%	≥90%
Certificate	ETL CETL DLC	ETL CETL DLC
Equivalent	36-110W MH/HPS	56-150W MH/HPS

## Electric Characteristic

### OPTIONAL ACCESSORIES



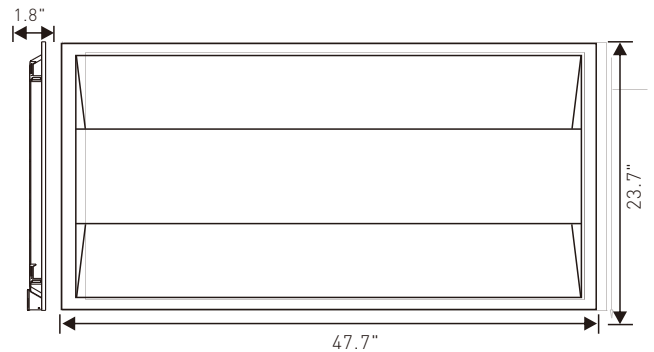
Emergency Battery Backup, Style LSED20W



### SENSOR ACCESSORIES

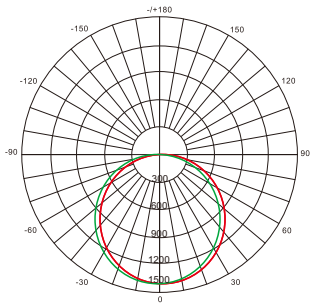


Occupancy Motion Sensor  
Plug & Play  
(PRE-ORDER FROM FACTORY)



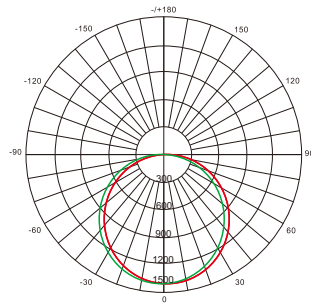
# 5Watts 5CCT LED Troffer Light

## DISTRIBUTION DIAGRAM



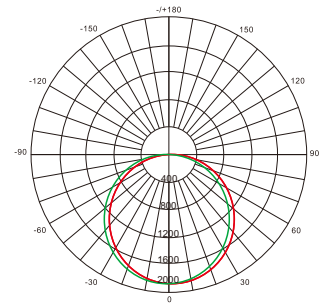
AVERAGE BEAM ANGLE(50%): 110°

UNIT:CD  
 Lumens:3250LM  
 Test Number:25W  
 Test Number:5000K  
 - C0/180,110.9  
 - C30/210,110.5  
 - C60/240,109.3  
 - C90/270,109.1



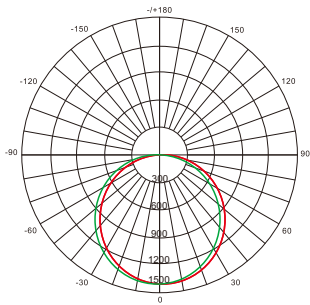
AVERAGE BEAM ANGLE(50%): 110°

UNIT:CD  
 Lumens:3900LM  
 Test Number:30W  
 Test Number:5000K  
 - C0/180,110.9  
 - C30/210,110.5  
 - C60/240,109.3  
 - C90/270,109.1



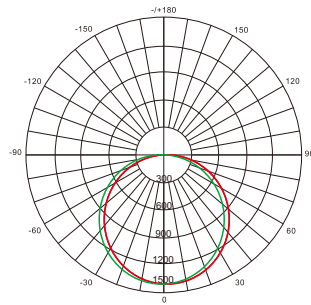
AVERAGE BEAM ANGLE(50%): 110°

UNIT:CD  
 Lumens:4550LM  
 Test Number:35W  
 Test Number:5000K  
 - C0/180,110.9  
 - C30/210,110.5  
 - C60/240,109.3  
 - C90/270,109.1



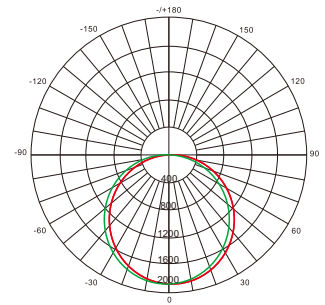
AVERAGE BEAM ANGLE(50%): 110°

UNIT:CD  
 Lumens:5200LM  
 Test Number:40W  
 Test Number:5000K  
 - C0/180,110.9  
 - C30/210,110.5  
 - C60/240,109.3  
 - C90/270,109.1



AVERAGE BEAM ANGLE(50%): 110°

UNIT:CD  
 Lumens:5850LM  
 Test Number:45W  
 Test Number:5000K  
 - C0/180,110.9  
 - C30/210,110.5  
 - C60/240,109.3  
 - C90/270,109.1



AVERAGE BEAM ANGLE(50%): 110°

UNIT:CD  
 Lumens:6500LM  
 Test Number:50W  
 Test Number:5000K  
 - C0/180,110.9  
 - C30/210,110.5  
 - C60/240,109.3  
 - C90/270,109.1