

Date:..... Location: .....

Product:..... Project:.....

Quantity:..... Catalog# .....

### V3 Watt&CCT Tunable FLOOD LED LIGHT.



## FEATURES

- Both Power and CCT adjustable
- Easy install Multiple mounts like Knuckle, Yoke or slip filter, easy install.
- Sturdy and aesthetic design, die-casting aluminum alloy.
- IP65 rated. anti-corrosion and rust proof.
- Uniform and wide flood brightness.

## SUITABLE APPLICATIONS

- Warehouses
- Factories
- Parking Lots
- Shopping Malls
- Supermarkets
- Logistic Centers



### CONSTRUCTION:

Heavy die-cast aluminum alloy housing with bronze powder-coated finish. Glass lens.

### ELECTRICAL:

Available as 120-277V input. -20°C to 60°C,

### OPTICAL SYSTEM:

High brightness Lumileds chips. High quality tempered glass optics. 120° beam angle.

### INSTALLATION&MOUNTING:

Wall Mounting Or Pipe pole Mounting for easy installation..

### WARRANTY:

5-year limited warranty. Actual performance may differ as a result of end-user environment and application.

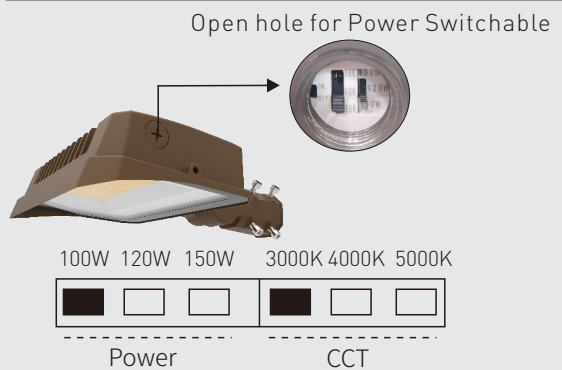
### PERFORMANCE

Model NO	Power Switchable	Voltage/CurrentInput			Light Efficiency	Kelvin Options
		120V	277V	347V		
LS3FL-15/20/35W	15W 20W 35W	0.12A/0.2A/0.3A	0.06A/0.07A/0.1A	0.04A/0.05A/0.10A	135LM/W	3000K/4000K/5000K
LS3FL-35/60/80W	35W 60W 80W	0.3A/0.5A/0.6A	0.1A/0.2A/0.3A	0.10A/0.17A/0.23A	135LM/W	3000K/4000K/5000K
LS3FL-100/120/150W	100W 120W 150W	0.8A/1.0A/1.2A	0.3A/0.4A/0.5A	0.28A/0.34A/0.43A	135LM/W	3000K/4000K/5000K

# V3 Watt&CCT Tunable FLOOD LED LIGHT

Model NO	Wattage	Voltage/Current Input			Light Efficiency	Kelvin Options
		120V	277V	347V		
LS3FL-15W	15W	0.12A	0.06A	0.04A	135LM/W	3000K/4000K/5000K
LS3FL-20W	20W	0.20A	0.07A	0.05A	135LM/W	3000K/4000K/5000K
LS3FL-35W	35W	0.30A	0.12A	0.10A	135LM/W	3000K/4000K/5000K
LS3FL-60W	60W	0.50A	0.20A	0.17A	135LM/W	3000K/4000K/5000K
LS3FL-80W	80W	0.60A	0.30A	0.23A	135LM/W	3000K/4000K/5000K
LS3FL-100W	100W	0.80A	0.30A	0.28A	135LM/W	3000K/4000K/5000K
LS3FL-120W	120W	1.0A	0.43A	0.34A	135LM/W	3000K/4000K/5000K
LS3FL-150W	150W	1.25A	0.54A	1.25A	135LM/W	3000K/4000K/5000K

## OPTIONAL ACCESSORIES



The lamps have the function of adjusting power and color temperature

## PRODUCT ORDERING GUIDE

LS 3FL - XXW  
 1 2 3  
 LS 3FL - 15W

- LS
- 3FL V3 Flood
- 15W Power 15W  20W Power 20W  
 35W Power 35W  60W Power 60W  
 80W Power 80W  100W Power 100W  
 120W Power 120W  150W Power 150W

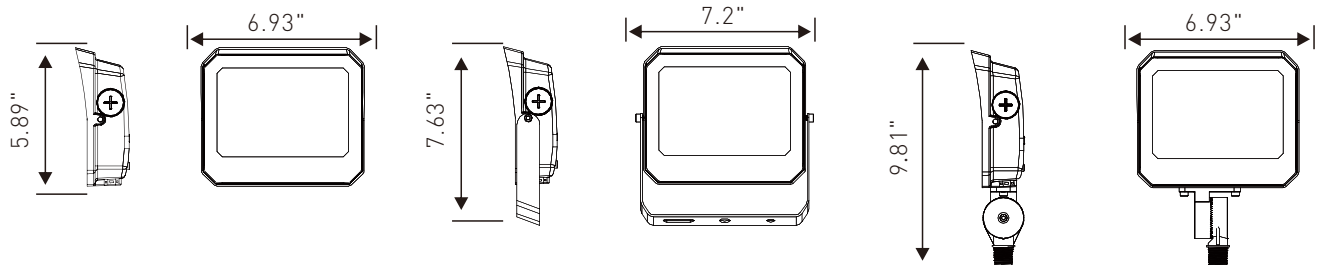
## Electric Characteristic

Specification/Model	LS3FL-35/20/15W	LS3FL-80/60/35W	LS3FL-150/120/100W
LED Driver	UL listed CN Brand driver		
Input power	35W/20W/15W	80W/60W/35W	150W/120W/100W
Lumen output	4725LM/2700LM/2025LM	10800LM/8100LM/4725LM	20250LM/16200LM/13500LM
Efficiency	135LM/W	135LM/W	135LM/W
CRI	>72	>72	>72
CCT tunable	30K/40K/50K	30K/40K/50K	30K/40K/50K
Input voltage	120-277V/120-347VAC	120-277V/120-347VAC	120-277V/120-347VAC
Light distribution type	120D	120D	120D
Working temperature	-20+60°C	-20+60°C	-20+60°C
Junction temperature	<75°C	<75°C	<75°C
Lamp efficiency	≥90%	≥90%	≥90%
Certificate	UL CUL DLC	UL CUL DLC	UL CUL DLC
Equivalent	15-90W MH/HPS	90-300W MH/HPS	300-500W MH/HPS

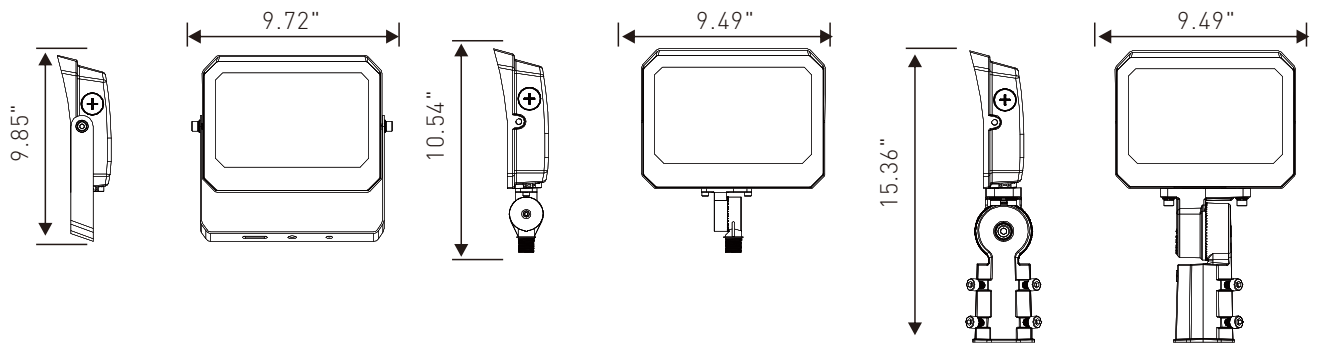
# V3 Watt&CCT Tunable FLOOD LED LIGHT

## DIMENSION

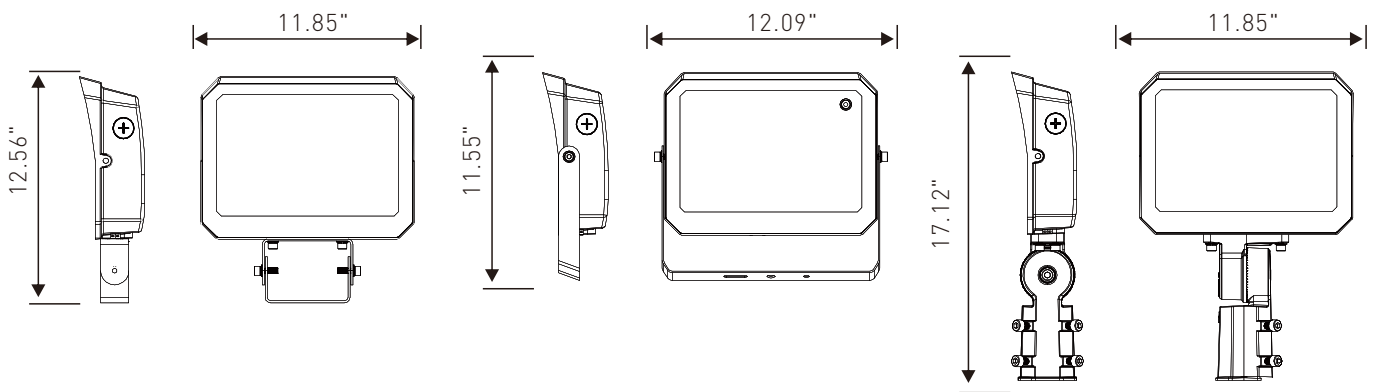
35W/15W



60W/80W



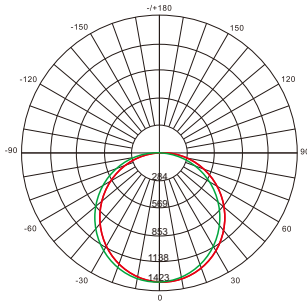
100W/150W



# V3 Watt&CCT Tunable FLOOD LED LIGHT

## DISTRIBUTION DIAGRAM

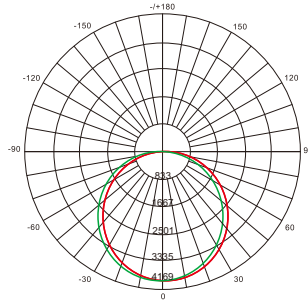
LS3FL-15W



AVERAGE BEAM ANGLE[50%]: 120°

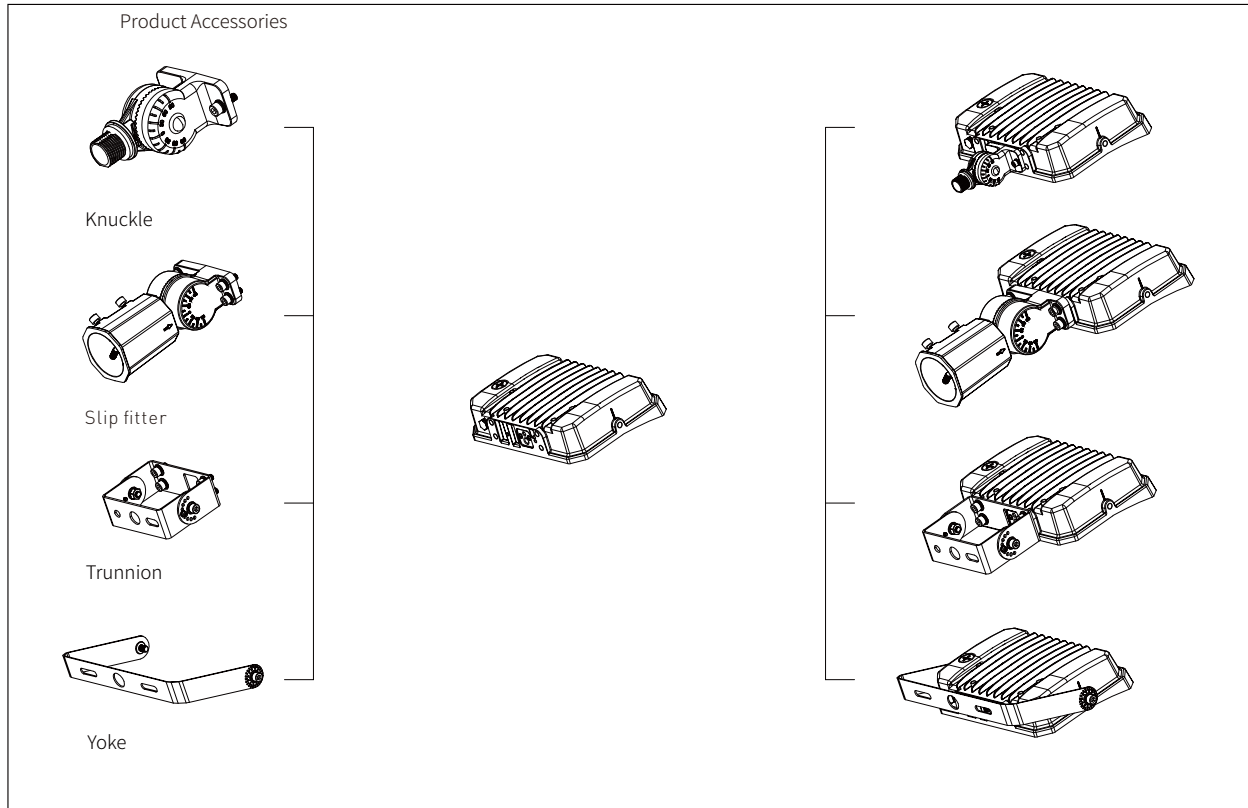
UNIT:CD  
 Test Number: LS3FL15W  
 Lumens:2025LM  
 Test Number:15W  
 Test Number:5000K

LS3FL-30W



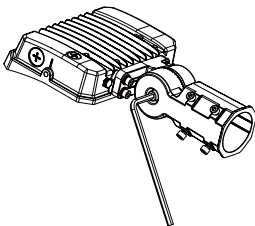
# V3 Watt&CCT Tunable FLOOD LED LIGHT

## Installation

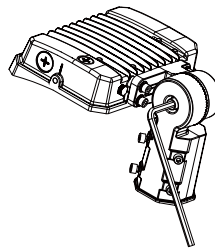


### Installation Instruction (Slip-fitter)

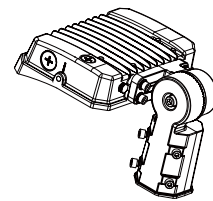
1. Loosen the screw used to fix the upper and the lower mount in rotating shaft by Hexagon wrench.



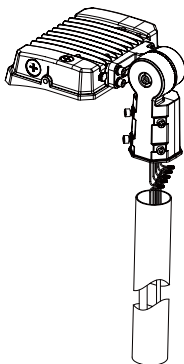
2. Rotate the bracket to proper Angle..



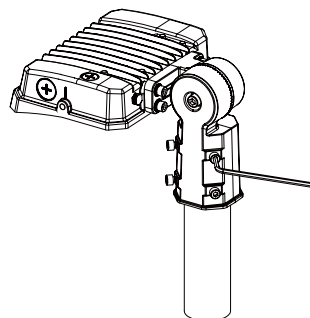
3. Lock the upper and lower brackets by Hexagon wrench.



4. Connect wires.



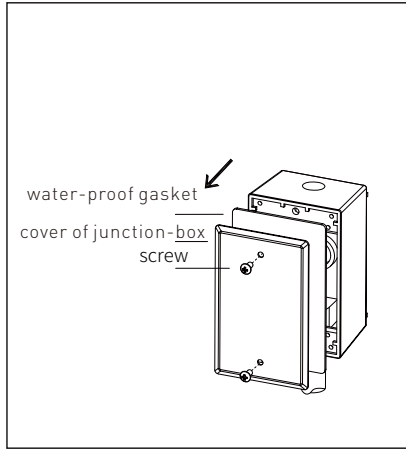
5. Fix the bracket to lamp pole by hexagonal wrench.



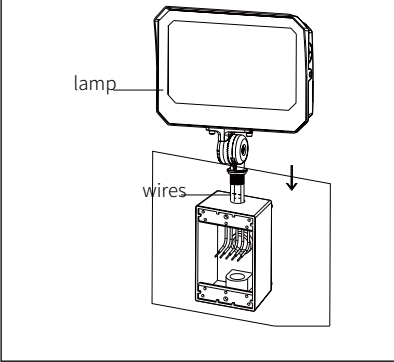
Notice: The maximum diameter of lamp pole is 2.36", lamp adjustable angle is 0-90°

# V3 Watt&CCT Tunable FLOOD LED LIGHT

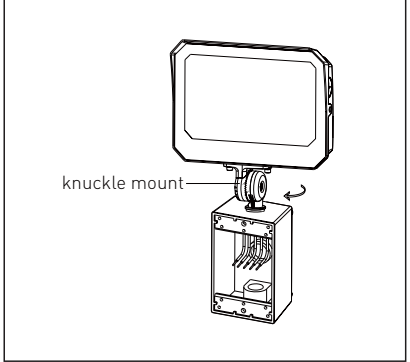
## Installation Instruction



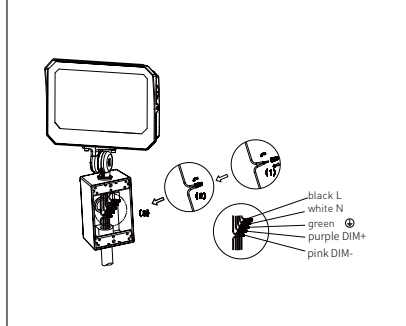
2. Put the wires of lamp into the junction-box.



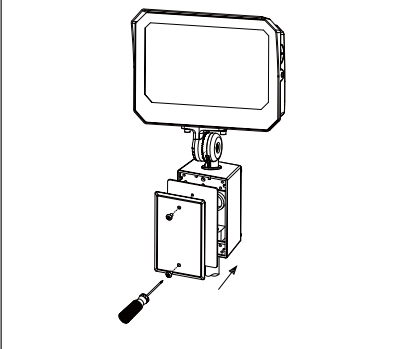
3. Screw up the knuckle mount into junction-box.



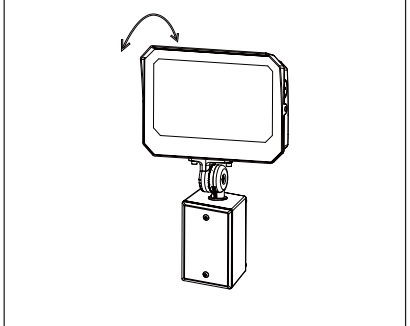
4. Use wire-nuts to connect the wires of lamp and junction-box.



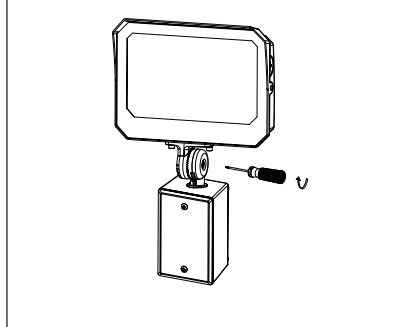
5. lock the junction-box with screw key.



6. Use hex-key to screw off the hex-screw in knuckle mount.

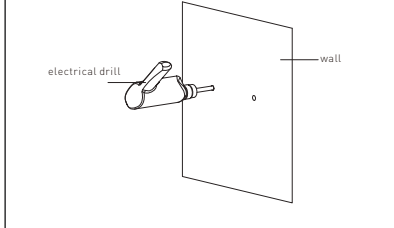


7. Adjust the lamp into suitable angle.

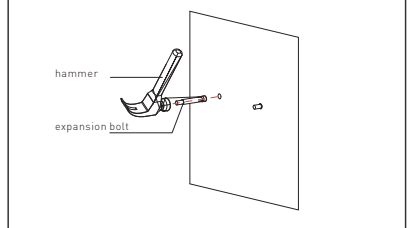


## Installation Instruction(Yoke)

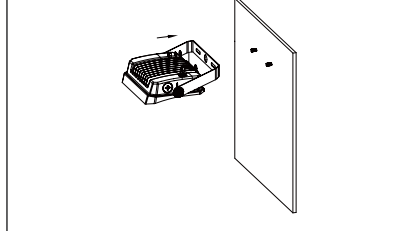
1. Mark the position of the fixing holes with fold light bracket, then drill the fixing holes



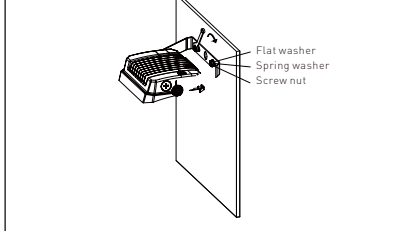
2. Drive in the bolts to the pre-drilled holes with thread outside, as the below pic indicate.



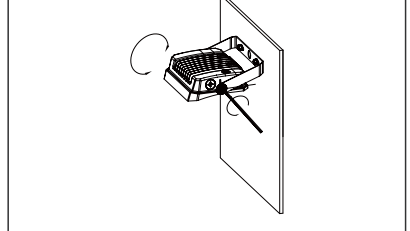
3. Make the bracket face tightly to the wall through the thread.



4. Fasten the screw nut clockwise with provided hardware by wrench.



5. Rotate the light to the proper angle and fasten the screws.

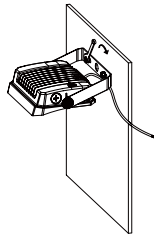


# V3 Watt&CCT Tunable FLOOD LED LIGHT

6. Fasten the screw both sides with allen driver.

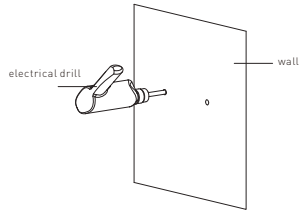


7. Connect wires.

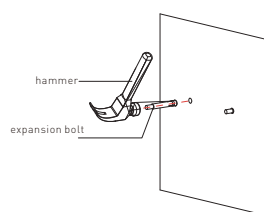


## Installation Instruction (Trunnion)

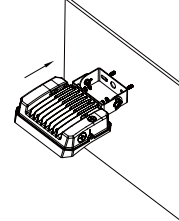
1. Mark the position of the fixing holes with flood light bracket, then drill the fixing holes



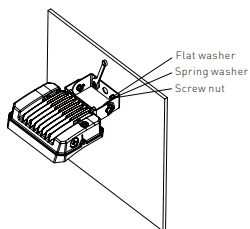
2. Drive in the bolts to the pre-drilled holes with thread outside, as the below pic indicate.



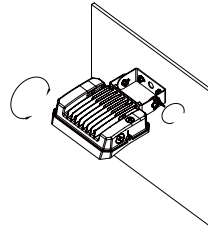
3. Make the bracket face tightly to the wall through the thread.



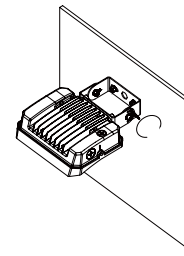
4. Fasten the screw nut clockwise with provided hardware by wrench.



5. Rotate the light to the proper angle and fasten the screws.



6. Fasten the screw both sides with allen driver.



7. Connect wires.

