

E39 LED Retrofit For Traditional Shoebox

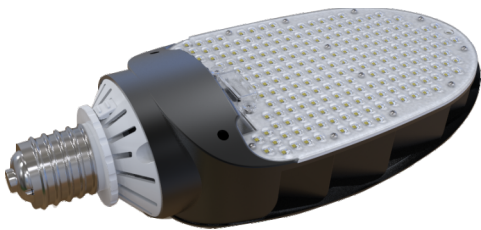
Date: Location:

Product: Project:

Quantity: Catalog#



54W 75W



115W

FEATURES

- E39 led retrofit for old lamps in shoebox fixtures
- 180 Degrees beam angle even lighting distribution.
- Independent R&D Design installed by hanging safety chains.
- Die-cast aluminum shell with high thermal conductivity.
- Internal certified isolated driver, long life-span, flicker free
- Unique structure design, internal fan, excellent heat dissipation

SUITABLE APPLICATIONS

- Area Lighting/Path Lighting/Garden lighting
- Outdoor Pole/Arm-mounted Area and Roadway Luminaires



CONSTRUCTION:

Heavy die-cast aluminum alloy housing with black powder-coated finish. PC lens.

ELECTRICAL:

Available as 120-277V input. -20°C to 45°C

OPTICAL SYSTEM:

High brightness lumileds LED chips. High quality transmission PC optics.120° beam angle.

INSTALLATION&MOUNTING:

Rotatable E39 base and a safety hanging chain.

WARRANTY:

5-year limited warranty. Actual performance may differ as a result of end-user environment and application.

PERFORMANCE

Model NO	PFC	Wattage	Voltage/CurrentInput		Lumen Output	Kelvin Options
			120V	277V		
AST-CLH01B-54WXYA1	>0.95	54W	0.45A	0.19A	7020LM	3000K/4000K/5000K
AST-CLH01B-75WXYA1	>0.95	75W	0.63A	0.27A	9750LM	3000K/4000K/5000K
AST-CLH01B-115WXYA1	>0.95	115W	0.96A	0.42A	14950LM	3000K/4000K/5000K

E39 LED Retrofit lamp

Electric Characteristic

Specification/Model	AST-CLH01B-54WXYA1	AST-CLH01B-75WXYA1	AST-CLH01B-115WXYA1
LED Driver	UL LISTED Driver		
Input power	54W	75W	115W
Lumens output	7020LM	9750LM	14950LM
Efficiency	130LM/W	130LM/W	130LM/W
CRI	>72	>72	>72
Color Temperature	5000K	5000K	5000K
Input voltage	120-277V/AC	120-277V/AC	120-277V/AC
Light distribution type	120°	120°	120°
Working temperature	-20+45°C	-20+45°C	-20+45°C
Junction temperature	<75°C	<75°C	<75°C
lamps efficiency	≥90%	≥90%	≥90%
Certificate	UL CUL DLC	UL CUL DLC	UL CUL DLC
Equivalent	100-150W MH/HPS	150-200W MH/HPS	200-300W MH/HPS

PRODUCT ORDERING GUIDE

AST-CLH01B-54WXYA1

1 2 3 4 5 6

AST - CLH01B 54W X TY A1

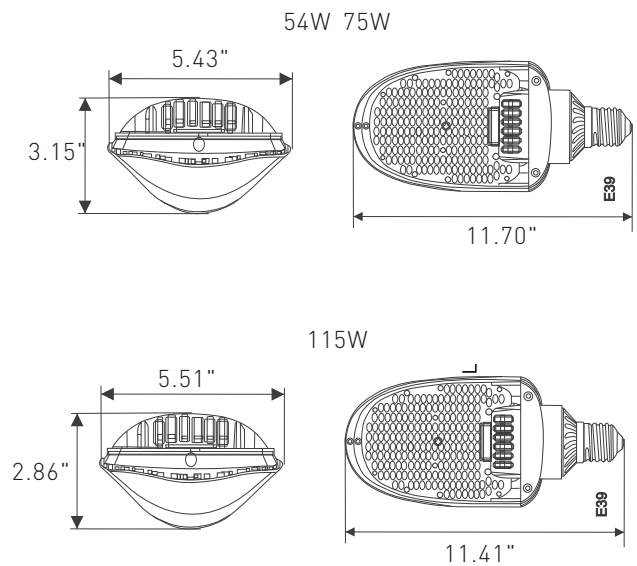
AST Factory code

CLH01B LED Retrofit Kit

54W Power

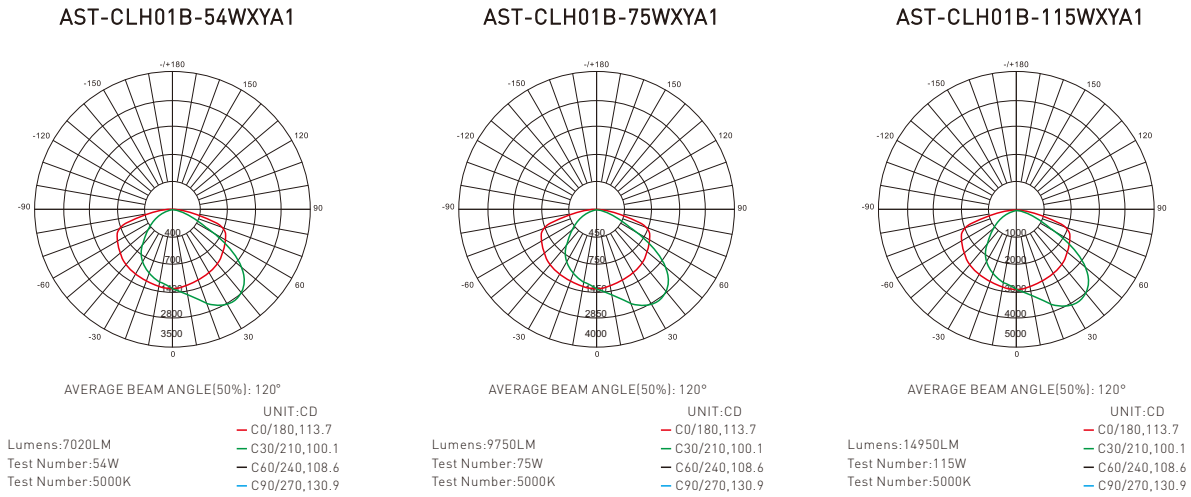
TY Light distribution type

Dimensions



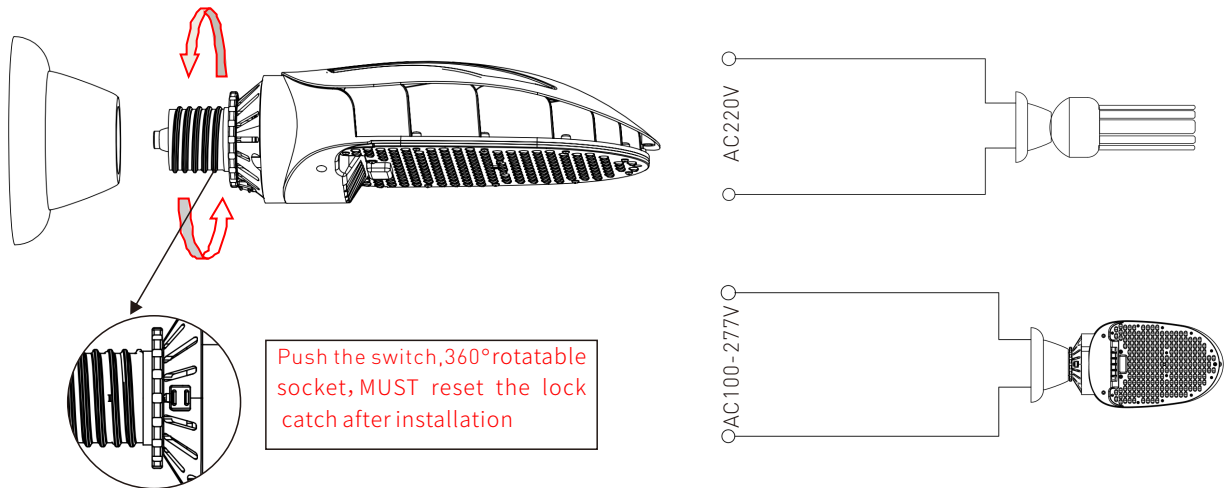
E39 LED Retrofit lamp

DISTRIBUTION DIAGRAM



Installation

- 1、Ensure that the input voltage and frequency are within the specified range before installation.
- 2、Please turn off the power before Installation
- 3、Push the switch on socket, Twist the led retrofit lamp into lamp holder, then adjust to right angle and reset the switch to fix the led retrofit lamp.
- 4、Turn on power to test after installation.



Notice For User

- Please turn off power before install or change assembly parts.
- The input voltage and lamps should be matched, after connecting the power line, please make sure the wiring section is insulated.
- Make sure to remove or bypass the ballast in the fixtures before install the lamps.
- Suitable for damp locations. Do not use with dimmers.
- Must be professionals to install and disassemble the lamps.

