

V3 Linear Highbay LED Light



PLUG PLAY Motion Sensor



Date: Location:

Product: Project:

Quantity: Catalog#

FEATURES

- Built in Sensor socket, Easy plug and play with Sensor
- Air craft hanging chain provided for easy access wiring
- Corrosion and rust proof
- 50,000 hours lifetime

SUITABLE APPLICATIONS

- Warehouse Lighting
- Base room lighting
- Shopping mall lighting
- Facilities lighting

CONSTRUCTION:

Fast dissipation aluminum material with white powder-coated finish. Frosted PC optics lens.

ELECTRICAL:

Available as 120-277V or 480V input. -20°C to 45°C.

OPTICAL SYSTEM:

High brightness Lumileds chips. 106° beam angle.

INSTALLATION & MOUNTING:

Suspended/Ceiling Mounting for easy installation

WARRANTY:

5-year limited warranty. Actual performance may differ as a result of end-user environment and application.

PERFORMANCE

Model NO	Motion Sensor Detection Distance	Wattage	Voltage/Current Input		Light Efficiency	Kelvin Options
			120V	277V		
LS-LHBV3-110W-H-XXK	20FTto30FT	110W	0.91A	0.39A	140LM/W	3000K/4000K/5000K
LS-LHBV3-165W-H-XXK	20FTto30FT	165W	1.37A	0.59A	140LM/W	3000K/4000K/5000K
LS-LHBV3-220W-H-XXK	25FTto35FT	220W	1.83A	0.79A	140LM/W	3000K/4000K/5000K
AST-PHB05-300WBMD1G2-ab[EM;Blank]50	40FTto50FT	300W	2.50A	1.08A	140LM/W	3000K/4000K/5000K

V3 Linear Highbay LED Light

OPTIONAL ACCESSORIES



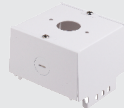
Turn off the cup and insert the sensor



Emergency Battery Backup



Mount the bracket on the rail or ceiling



Mount the bracket on 3/4" NPT

PRODUCT ORDERING GUIDE

LS-LHBV3-110W-H-XXK
1 2 3 4

LS - LHBV3 - 110W - XXK

LS

LHBV3 LED Linear Highbay Light

110W Power110W 165W Power165W

220W Power220W 300W Power300W

XXK CCT:3000K

XXK CCT:4000K

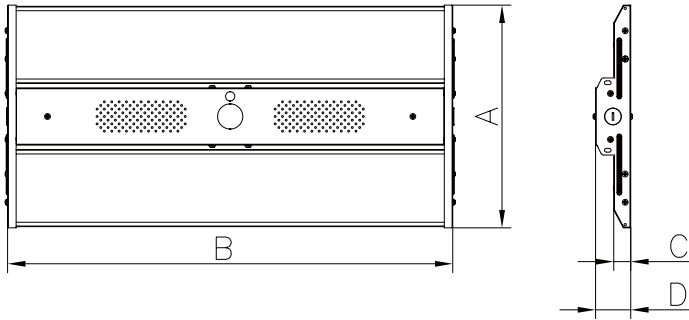
XXK CCT:5000K

Electric Characteristic

Specification/Model	LS-LHBV3-110W-H-XXK	LS-LHBV3-165W-H-XXK	LS-LHBV3-220W-H-XXK	AST-PHB05-300WBMD1G2
LED Driver	UL Listed WELEDPOWER Brand 0-10V Dimmable			
Input power	110W	165W	220W	300W
Lumens output	15400LM	23100LM	30800LM	42000LM
Efficiency	140LM/W	140LM/W	140LM/W	140LM/W
CRI	>80	>80	>80	>80
Color Temperature	5000K	5000K	5000K	5000K
Input voltage	120-277V/AC	120-277V/AC	120-277V/AC	120-277V/AC
Light distribution type	106D	106D	106D	106D
Working temperature	-20+40°C	-20+40°C	-20+40°C	-20+40°C
Junction temperature	<75°C	<75°C	<75°C	<75°C
lamps efficiency	≥90%	≥90%	≥90%	≥90%
Certificate	UL CUL DLC	UL CUL DLC	UL CUL DLC	UL CUL DLC
Equivalent	220-330W MH/HPS	330-500W MH/HPS	500-700W MH/HPS	700-1000W MH/HPS

V3 Linear Highbay LED Light

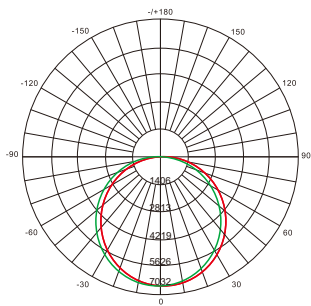
DIMENSION



Part No.	A	B	C	D
LS-LHBV3-110W-H-XXK	11.81"	23.62"	0.91"	1.87"
LS-LHBV3-165W-H-XXK				
LS-LHBV3-220W-H-XXK	14.17"	23.62"	0.91"	1.87"
AST-PHB05-300WBMD1G2	14.17"	35.10"	0.91"	1.87"

DISTRIBUTION DIAGRAM

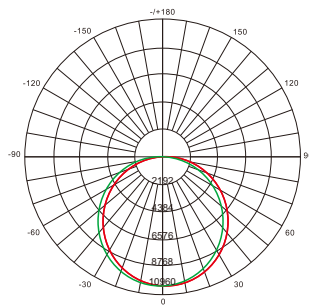
LS-LHBV3-110W-H-XXK



AVERAGE BEAM ANGLE[50%]: 106°

UNIT:CD
 Test Number:LS-LHBV3-110W-H-XXK
 Lumens:15400LM
 Test Number:110W
 Test Number:5000K

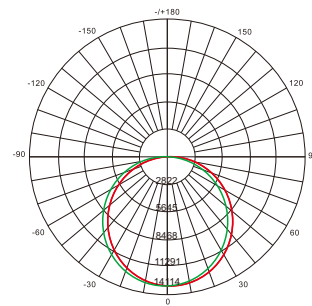
LS-LHBV3-165W-H-XXK



AVERAGE BEAM ANGLE[50%]: 106°

UNIT:CD
 Test Number:LS-LHBV3-165W-H-XXK
 Lumens:23100LM
 Test Number:165W
 Test Number:5000K

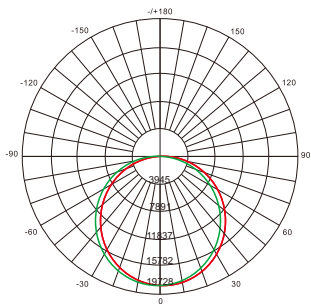
LS-LHBV3-220W-H-XXK



AVERAGE BEAM ANGLE[50%]: 106°

UNIT:CD
 Test Number:LS-LHBV3-220W-H-XXK
 Lumens:30800LM
 Test Number:220W
 Test Number:5000K

AST-PHB05-300WBMD1G2

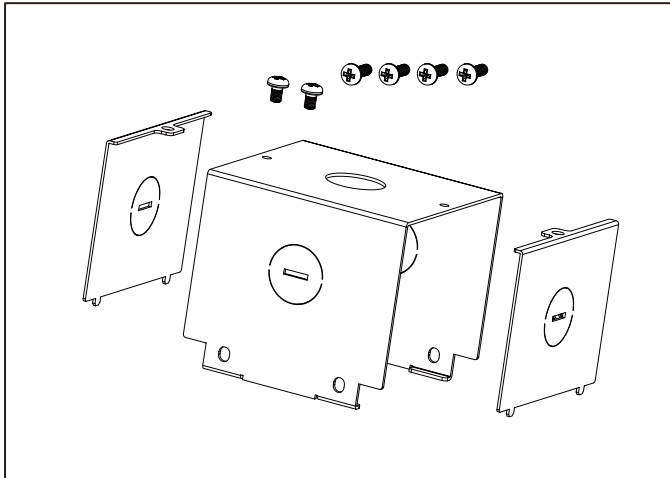


AVERAGE BEAM ANGLE[50%]: 106°

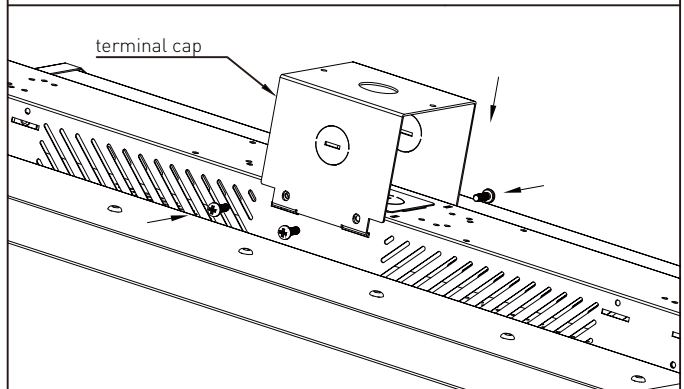
UNIT:CD
 Test Number:LS-LHBV3-300W-H-XXK
 Lumens:42000LM
 Test Number:300W
 Test Number:5000K

V3 Linear Highbay LED Light

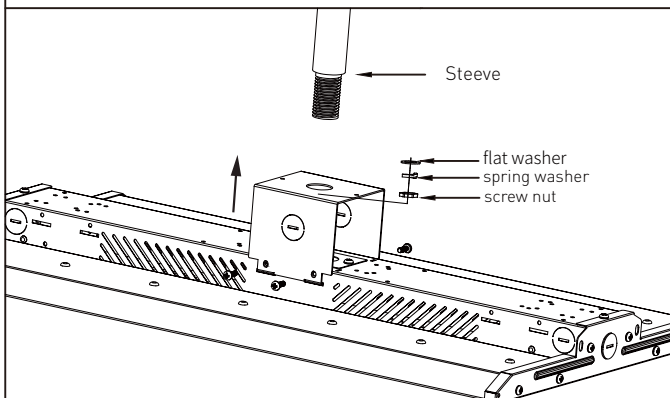
CEILING MOUNT INSTALLATION:



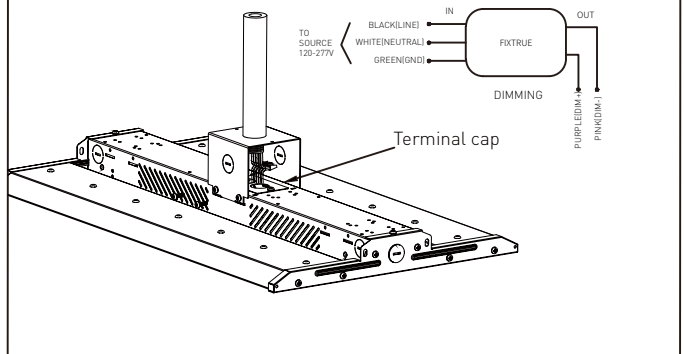
1. Fixed the junction box on the fixture with the provided hardware.



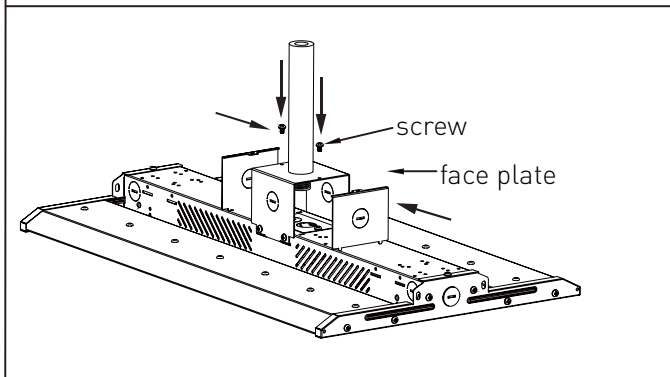
2. Fixed the high bay on the steeve with provided hardware.



3. Turn off power, and make wiring connections with terminal cap. (see wiring instruction below)



4. Attach both face plates to the Junction box with the provided hardware



5. Installation completed.

