

RED/GREEN EMERGENCY EXIT SIGN

Date:..... Location:

Product:..... Project:.....

Quantity:..... Catalog#



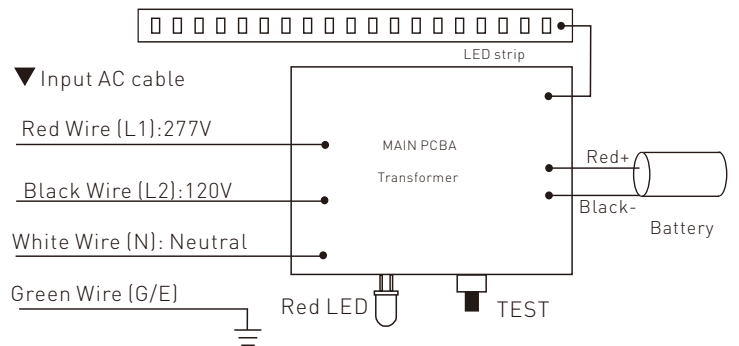
Electric Characteristic

Model NO	Input Wattage	Input Current	Efficiency	Recharge Time	Output Wattage	Plug in LED	Lead-Acid Battery	Emergency duration	Product Size
LS-ES037R/G	1.5W	0.1A	0.86P	24H	1W	SMD 2835	1.2V/800mAh	>90mins	11.73"*7.36"*1.77"

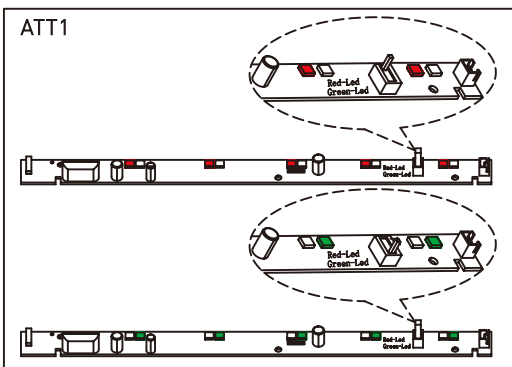
DIMENSION



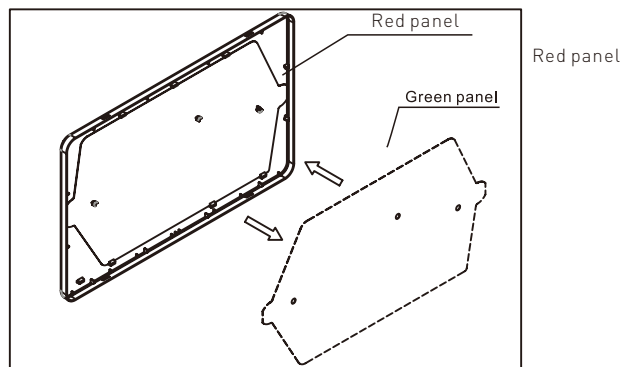
WIRING DIAGRAM



LED strip switch color, please refer to Att1



Red or Green panelinsert



RED/GREEN EMERGENCY EXIT SIGN

• IMPORTANT SAFETY GUIDES:

- Before wiring to power supply, turn off electricity at fuse or circuit breaker.
- Disconnect AC power and unplug battery before servicing.
- Consult your local building code for approved wiring and installation.
- Do not use outdoors.
- Do not let power supply cord touch hot surfaces.
- Do not mount near gas or electric heater.
- Do not install a damaged fixture.
- This product must be installed in accordance with the applicable installation codes and ordinances.
- Proper grounding is required to ensure personal safety (where applicable)..
- All service shall be performed by qualified personnel. This product must be installed and maintained in accordance with the applicable installation codes by a person familiar with the construction and operation of the product and the hazards involved.
- Equipment should be mounted in locations and at heights where it will not be subjected to tampered by unauthorized personnel.
- The use of accessory equipment not recommended by the manufacturer may cause an unsafe condition.
- Do not use this equipment for anything other than its intended use.

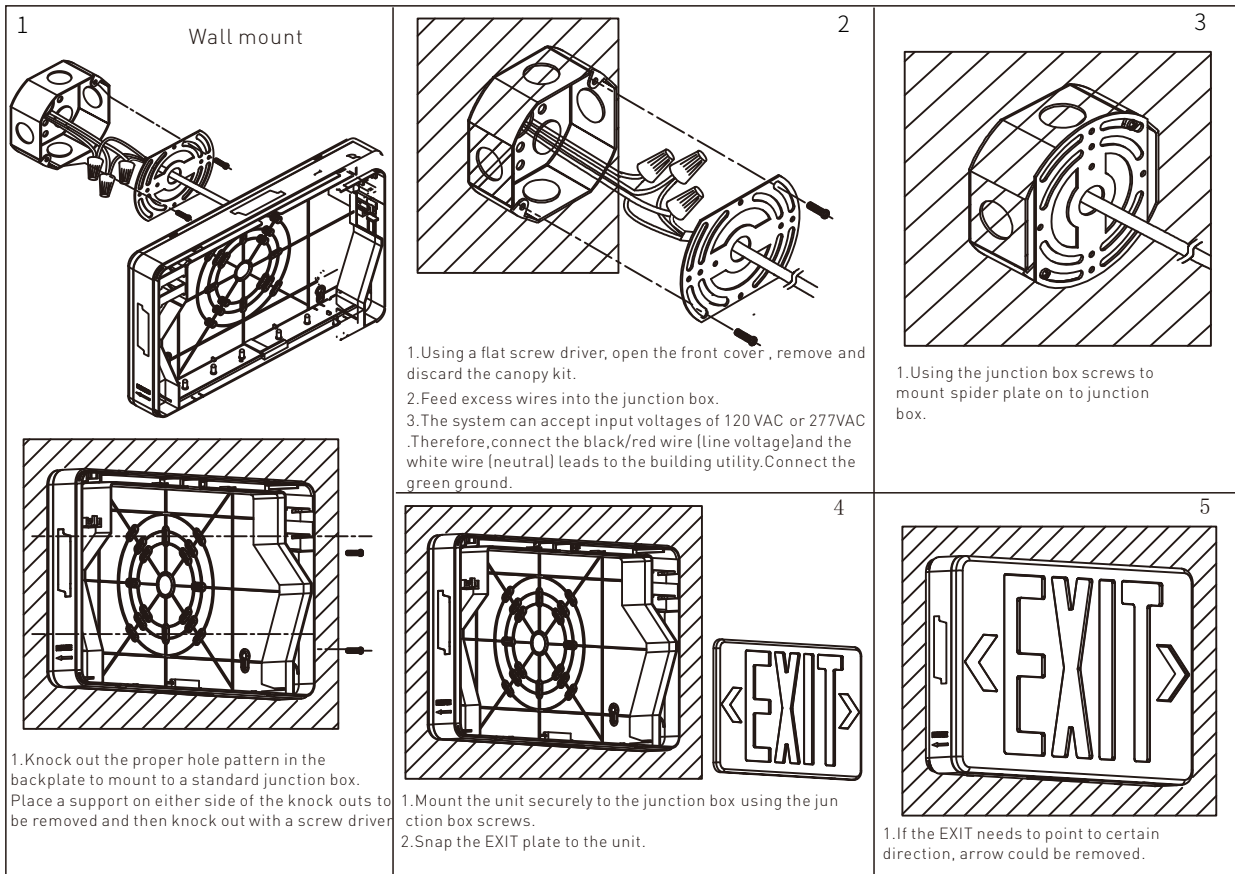
IMPORTANT:

1. When re-lamping use only lamps specified by the manufacturer. Using other lamp types may result in transformer damage or cause unsafe conditions.
2. Battery in this unit may not be fully charged. After electricity is hooked up to the unit, let the battery charge up to at least 24 hours. Then normal operation of this unit should then take effect.

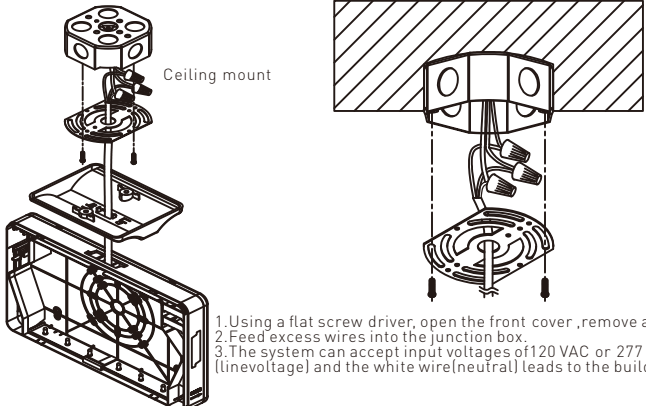
INSTALLATION INSTRUCTIONS (Back mount):

1. Open face plate by blade screw driver
2. Determine which mounting holes will be used to mount the fixture to J-BOX and then punch out the proper K/Os from the K/O pattern on the back panel of the housing.
3. Connect AC supply wires to fixture input wires. Black is for 120V; Red is for 277V; White is for neutral.
4. Connect the RED and BLACK leads coming from the circuit board to the battery terminals. RED lead would be connected to the positive terminal and black lead to the negative terminal.

INSTALLATION DIAGRAM



RED/GREEN EMERGENCY EXIT SIGN

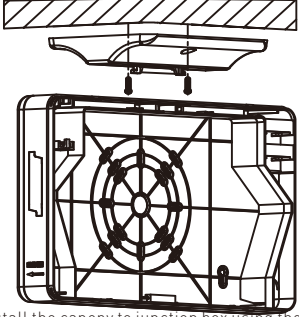


Ceiling mount

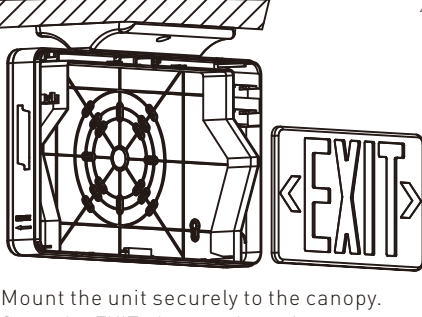
1

2

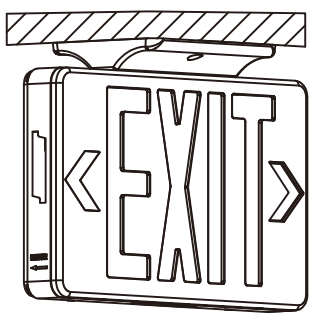
- Using a flat screw driver, open the front cover ,remove and discard the canopy kit.
- Feed excess wires into the junction box.
- The system can accept input voltages of 120 VAC or 277 VAC. Therefore, connect the black/red wire (linevoltage) and the white wire (neutral) leads to the building utility. Connect the green ground.



3



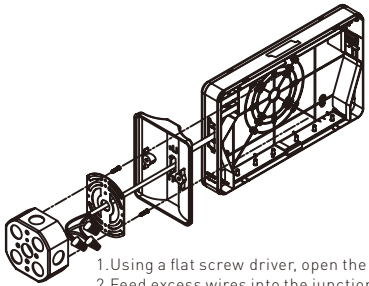
4



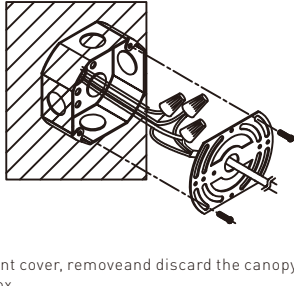
5

- Mount the unit securely to the canopy.
- Snap the EXIT plate to the unit.

1. Install the canopy to junction box using the junction box screws.



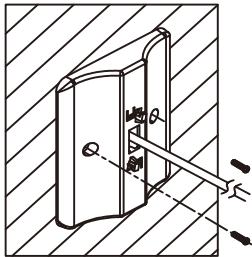
1



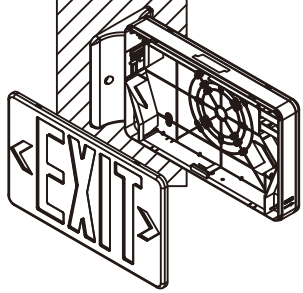
2

- Using a flat screw driver, open the front cover, remove and discard the canopy kit.
- Feed excess wires into the junction box.
- The system can input voltages of 120 VAC or 277 VAC. Therefore, connect the black/red wire (line voltage) and the white wire (neutral) leads to the building utility. Connect the green ground.

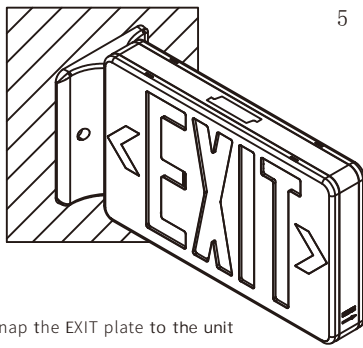
1. Using the junction box screws to mount spider plate onto junction box .



3



4



5

- Insert the canopy onto the location where the mounting hole cover was removed
- Mount the units securely to the canopy
- Snap the EXIT plate to the unit