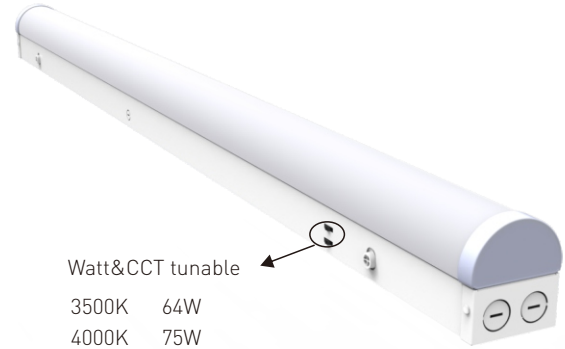


8FT Linear Strip LED Light



Watt&CCT tunable

- 3500K 64W
- 4000K 75W
- 5000K 90W



CONSTRUCTION:

Die formed of 0.6mm cold-rolled steel body;
 All steel surface are painted after fabrication with high gloss backed white matte powder painted;
 Extruded opal prismatic material with UV protection;
 End Caps: white PC material

OPTICALSYSTEM:

High brightness Lumileds LED chips. High quality Tem pc optics.120° beam angle.

WARRANTY:

5-year limited warranty. Actual performance may differ as a result of end-user environment application.

PERFORMANCE

Model NO	SIZE	Watt&tunabel	Voltage	Light Efficiency	CCT&Tunable
DM-ST8FT90WT-3545K	8FT	90W/75W/64W	100-277V	130LM/W	3500K/4000K/5000K

Date: Location:

Product:Project:

Quantity:Catalog#

FEATURES

- 8FT Strip 3Watts 3CCT up to 90W 11700lm.
- Emergency and Sensor optional.
- Corrosion and rust proof
- 50,000 hours lifetime, DLC PREMIUM.

SUITABLE APPLICATIONS

- Factory lighting
- Store lighting
- Shopping mall lighting
- Building lighting
- Warehouse lighting
- Baseroom lighting

ELECTRICAL:

Available as 120-277V input. -25+45°C

INSTALLATION&MOUNTING:

Ceiling / Suspended Mounting with quick mount back plate for easy installation.

8FT Linear Strip LED Light

Electric Characteristic

Specification/Model	DM-ST8FT90WT-3545K		
LED Driver	UL Driver 0-10V dimmable		
Input power	64W	75W	90W
Lumens output	8320LM	9750LM	11700LM
Efficiency	130LM/W	130LM/W	130LM/W
CRI	>80	>80	>80
Color Temperature	3500K/4000K/5000K Tunable	3500K/4000K/5000K Tunable	3500K/4000K/5000K Tunable
Input voltage	120-277V/AC	120-277V/AC	120-277V/AC
Light distribution type	120D	120D	120D
Working temperature	-25+45°C	-25+45°C	-25+45°C
Junction temperature	<75°C	<75°C	<75°C
lamps efficiency	≥90%	≥90%	≥90%
Certificate	ETL CETL DLC	ETL CETL DLC	ETL CETL DLC
Equivalent	100-200WMH/HPS	150W-250WMH/HP S	200-300WMH/HP S

OPTIONAL ACCESSORIES



Emergency Battery LSED20W

3500K 4000K 5000K



CCT

35/40/50K CCT tunable

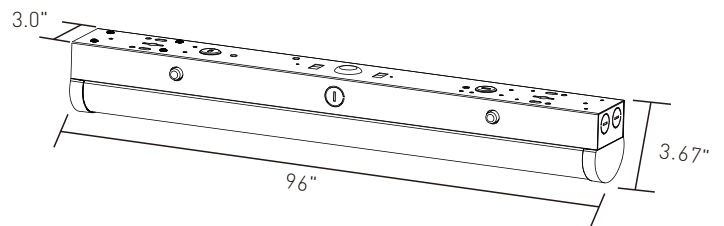
90W 75W 64W



Watt & Tunable

64W/75W/90W Watt&tunable

Electric Characteristic



DM-ST8FT90WT-3545K

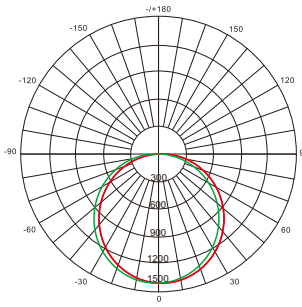
WARNING

1. The installation and maintenance must be completed by electricians or professionals.
2. Please cut off the power before installation and maintenance.
3. The thermally insulating material is not allowed to cover the fixture.
4. Please keep away from the corrosive substance, and keep the fixture dry and clean.
5. Working temperature: -4°F-104°F, storage temperature: -22°F-140°F.

8FT Linear Strip LED Light

DISTRIBUTION DIAGRAM

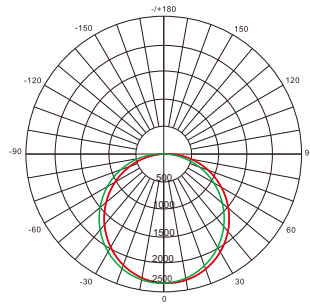
DM-ST8FT90WT-3545K



AVERAGE BEAM ANGLE(50%):1 20°

UNIT:CD
 - C0/180,130.9
 - C30/210,130.5
 - C60/240,129.3
 - C90/270,129.1

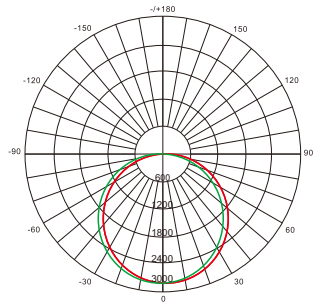
Lumens:8320 LM
 Test Number:64W
 Test Number:5000K



AVERAGE BEAM ANGLE(50%):1 20°

UNIT:CD
 - C0/180,130.9
 - C30/210,130.5
 - C60/240,129.3
 - C90/270,129.1

Lumens:9750 LM
 Test Number:75W
 Test Number:5000K

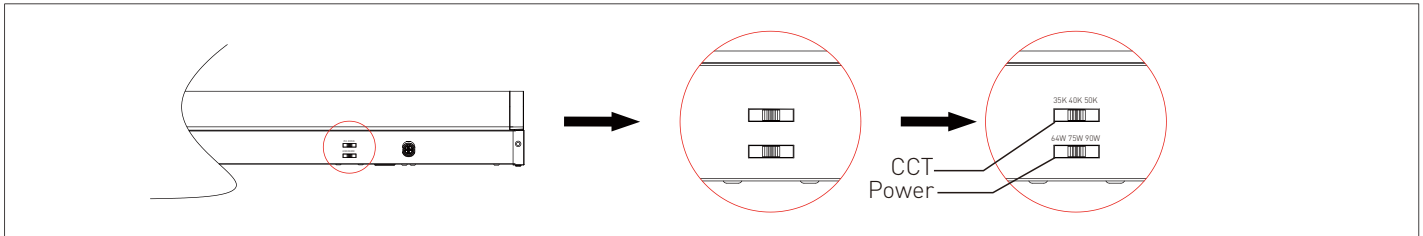


AVERAGE BEAM ANGLE(50%):1 20°

UNIT:CD
 - C0/180,130.9
 - C30/210,130.5
 - C60/240,129.3
 - C90/270,129.1

Lumens:11700LM
 Test Number:90W
 Test Number:5000K

CCT & Wattage Selectable



Installation manual

A.Surface-mounted installation

- 1.Punch a hole on the wall and put the expansion tube inside.

8FT:LF=35.35" & 84.13"
- 2.Turn off the power and wiring by using wire nuts.

To Source
 BLACK (LINE)
 WHITE (NEUTRAL)
 GREEN (GROUND)

FIXTURE
 PURPLE (DIM+)
 BROWN (DIM-)
- 3.Secure the fixture on the wall and lock it tight.
- 4.Press upward the cover,push side button and press,then lock it with springs tightly which located into the fixture.
- 5.The installation completed.
- 6.Press the buckle on both sides and remove,if you need to disassemble the cover.

8FT Linear Strip LED Light

B. Suspending installation

