

CCT&Watt Tunable Post Top LED Light

Date:..... Location:

Product:..... Project:.....

Quantity:..... Catalog#



FEATURES

- Built in photocell Receptacle and CCT&Watt switchable
- Lightweight and easy access wiring
- Corrosion and rust proof
- 50,000 hours lifetime

SUITABLE APPLICATIONS

- Area Lighting
- Parking lot Auto Dealerships
- Shopping malls
- Sporting Complexes
- Path lighting
- Garden lighting

CONSTRUCTION:

Heavy die-cast aluminum alloy housing with black powder-coated finish. Glass lens.

ELECTRICAL:

Available as 120-277V input. -20°C to 45°C

OPTICAL SYSTEM:

High brightness lumileds LED chips. High quality tempered glass optics.120° beam angle.

INSTALLATION&MOUNTING:

3" round pole mounting by heights 15 to 30ft.

WARRANTY:

5-year limited warranty. Actual performance may differ as a result of end-user environment and application.

PERFORMANCE

| Model NO | Photocell Control | Wattage | Voltage/CurrentInput | | Light Efficiency | Kelvin Options |
|--------------------------|-------------------|---------|----------------------|-------|------------------|-------------------|
| | | | 120V | 277V | | |
| LS-2PT(60/40/30/20)W-XXK | 3fcON/ 13fc OFF | 20W | 0.16A | 0.07A | 130LM/W | 3000K/4000K/5000K |
| | 3fc ON/ 13fc OFF | 30W | 0.25A | 0.10A | 130LM/W | 3000K/4000K/5000K |
| | 3fc ON 13fc OFF | 40W | 0.34A | 0.14A | 130LM/W | 3000K/4000K/5000K |
| | 3fc ON 13fc OFF | 60W | 0.50A | 0.21A | 130LM/W | 3000K/4000K/5000K |

CCT&Watt Tunable Post Top LED Light

| Model NO | Photocell Control | Wattage | Voltage/Current Input | | Light Efficiency | Kelvin Options |
|-----------------------------|-------------------|---------|-----------------------|-------|------------------|-------------------|
| | | | 120V | 277V | | |
| LS-2PT(150/120/100/80)W-XXK | 3fc ON/ 13fc OFF | 80W | 0.66A | 0.28A | 130LM/W | 3000K/4000K/5000K |
| | 3fc ON/ 13fc OFF | 100W | 0.83A | 0.36A | 130LM/W | 3000K/4000K/5000K |
| | 3fc ON 13fc OFF | 120W | 1.0A | 0.43A | 130LM/W | 3000K/4000K/5000K |
| | 3fc ON 13fc OFF | 150W | 1.25A | 0.54A | 130LM/W | 3000K/4000K/5000K |

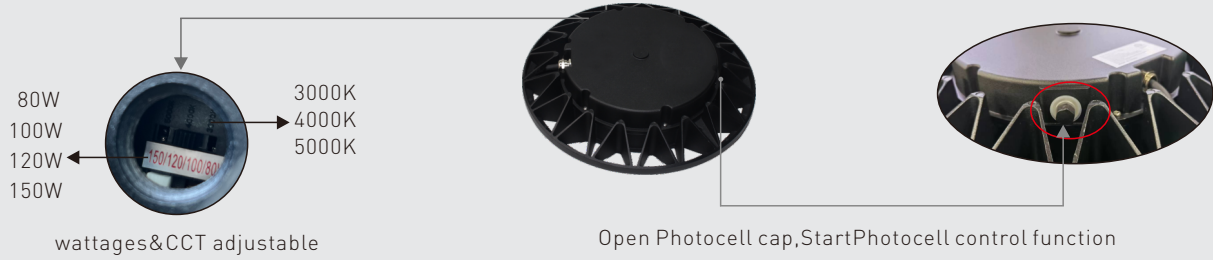
Electric Characteristic

| Specification/Model | LS-2PT(60/40/30/20)W-XXK | | | |
|-------------------------|--------------------------|----------------|-----------------|-----------------|
| LED Driver | UL Listed KHM Brand | | | |
| Input power | 20W | 30W | 40W | 60W |
| Lumens output | 2600LM | 3900LM | 5200LM | 7800LM |
| Efficiency | 130LM/W | 130LM/W | 130LM/W | 130LM/W |
| CRI | >72 | >72 | >72 | >72 |
| Color Temperature | 5000K | 5000K | 5000K | 5000K |
| Input voltage | 120-277V/AC | 120-277V/AC | 120-277V/AC | 120-277V/AC |
| Light distribution type | 120D | 120D | 120D | 120D |
| Working temperature | -20+45°C | -20+45°C | -20+45°C | -20+45°C |
| Junction temperature | <75°C | <75°C | <75°C | <75°C |
| lamps efficiency | ≥90% | ≥90% | ≥90% | ≥90% |
| Certificate | ETL CETL DLC | ETL CETL DLC | ETL CETL DLC | ETL CETL DLC |
| Equivalent | 40-60W MH/HPS | 60-100W MH/HPS | 100-120W MH/HPS | 120-200W MH/HPS |

| Specification/Model | LS-2PT(150/120/100/80)W-XXK | | | |
|-------------------------|-----------------------------|-----------------|-----------------|-----------------|
| LED Driver | UL Listed KHM Brand | | | |
| Input power | 80W | 100W | 120W | 150W |
| Lumens output | 10400LM | 13000LM | 15600LM | 19500LM |
| Efficiency | 130LM/W | 130LM/W | 130LM/W | 130LM/W |
| CRI | >72 | >72 | >72 | >72 |
| Color Temperature | 5000K | 5000K | 5000K | 5000K |
| Input voltage | 120-277V/AC | 120-277V/AC | 120-277V/AC | 120-277V/AC |
| Light distribution type | 120D | 120D | 120D | 120D |
| Working temperature | -20+45°C | -20+45°C | -20+45°C | -20+45°C |
| Junction temperature | <75°C | <75°C | <75°C | <75°C |
| lamps efficiency | ≥90% | ≥90% | ≥90% | ≥90% |
| Certificate | ETL CETL DLC | ETL CETL DLC | ETL CETL DLC | ETL CETL DLC |
| Equivalent | 160-220W MH/HPS | 220-280W MH/HPS | 280-360W MH/HPS | 360-450W MH/HPS |

CCT&Watt Tunable Post Top LED Light

CCT&Watt Tunable and Photocell Options



Available Accessories:

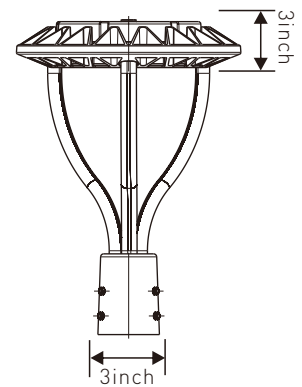
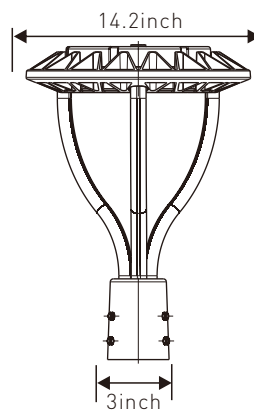
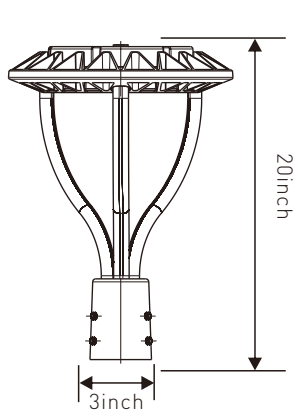


4" Square pole mount base.



4" Round Pole mount base.

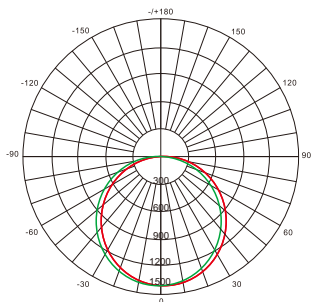
► DIMENSION



CCT&Watt Tunable Post Top LED Light

DISTRIBUTION DIAGRAM

LS-2PT(60/40/30/20)W-XXK

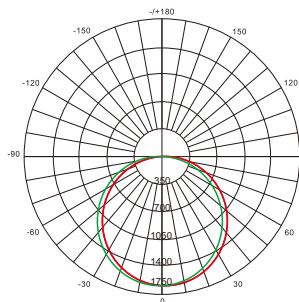


AVERAGE BEAM ANGLE(50%): 108°

Lumens:3600LM
Test Number:20W
Test Number:5000K

UNIT:CD
- C0/180,113.7
- C30/210,100.1
- C60/240,108.6
- C90/270,130.9

LS-2PT(60/40/30/20)W-XXK

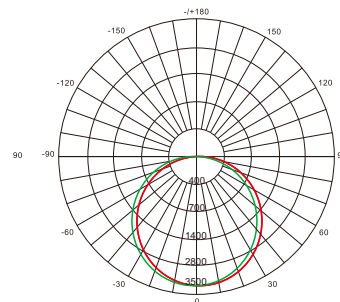


AVERAGE BEAM ANGLE(50%): 108°

Lumens:3900LM
Test Number:30W
Test Number:5000K

UNIT:CD
- C0/180,113.7
- C30/210,100.1
- C60/240,108.6
- C90/270,130.9

LS-2PT(60/40/30/20)W-XXK

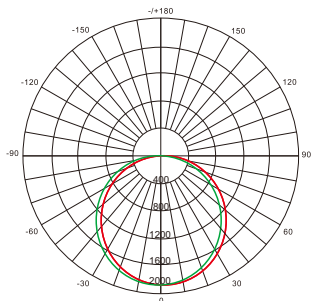


AVERAGE BEAM ANGLE(50%): 108°

Lumens:5200LM
Test Number:40W
Test Number:5000K

UNIT:CD
- C0/180,113.7
- C30/210,100.1
- C60/240,108.6
- C90/270,130.9

LS-2PT(60/40/30/20)W-XXK

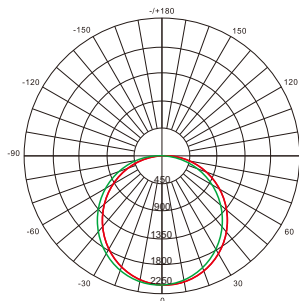


AVERAGE BEAM ANGLE(50%): 108°

Lumens:7800LM
Test Number:60W
Test Number:5000K

UNIT:CD
- C0/180,113.7
- C30/210,100.1
- C60/240,108.6
- C90/270,130.9

LS-2PT(150/120/100/80)W-XXK

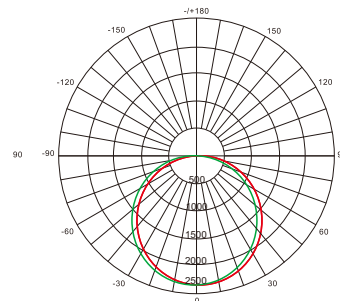


AVERAGE BEAM ANGLE(50%): 108°

Lumens:10400LM
Test Number:80W
Test Number:5000K

UNIT:CD
- C0/180,113.7
- C30/210,100.1
- C60/240,108.6
- C90/270,130.9

LS-2PT(150/120/100/80)W-XXK

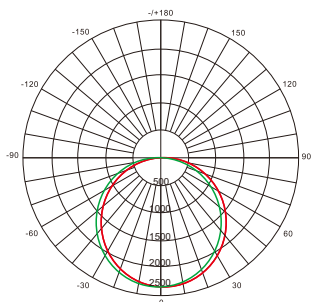


AVERAGE BEAM ANGLE(50%): 108°

Lumens:13000LM
Test Number:100W
Test Number:5000K

UNIT:CD
- C0/180,113.7
- C30/210,100.1
- C60/240,108.6
- C90/270,130.9

LS-2PT(150/120/100/80)W-XXK

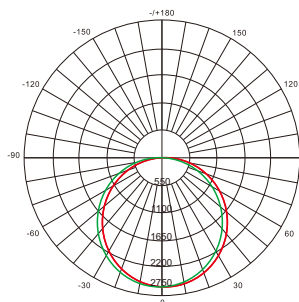


AVERAGE BEAM ANGLE(50%): 108°

Lumens:15600LM
Test Number:120W
Test Number:5000K

UNIT:CD
- C0/180,113.7
- C30/210,100.1
- C60/240,108.6
- C90/270,130.9

LS-2PT(150/120/100/80)W-XXK-P



AVERAGE BEAM ANGLE(50%): 108°

Lumens:19500LM
Test Number:150W
Test Number:5000K

UNIT:CD
- C0/180,113.7
- C30/210,100.1
- C60/240,108.6
- C90/270,130.9

CCT&Watt Tunable Post Top LED Light

Installation steps:

1. Find the power cord hole (Figure 1)
2. The threading rod corresponds to the hole to thread the power cord (Figure 2)
3. Twist the corresponding screw into the corresponding lever arm and tighten it. (Figure 3)
4. Loosen the handle screw and connect the corresponding LN G wire to make it waterproof. (Figure 4)
5. The lever arm is inserted into the pole and the screw is fastened. (Figure 5)

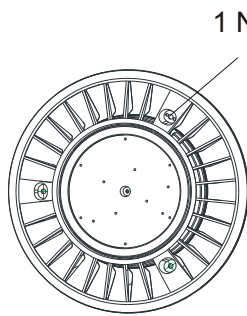


Figure 1

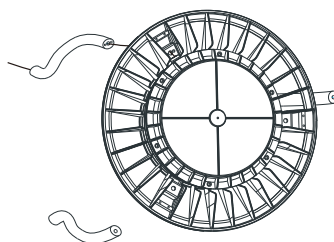


Figure 2

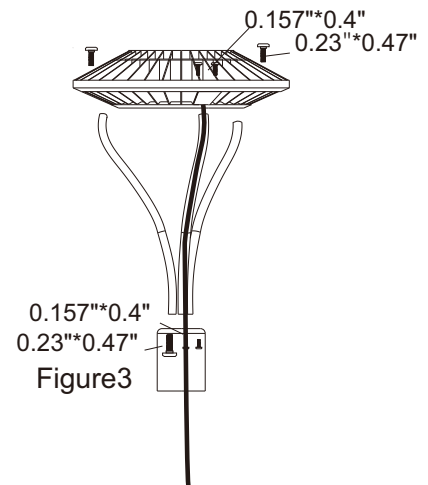


Figure 3

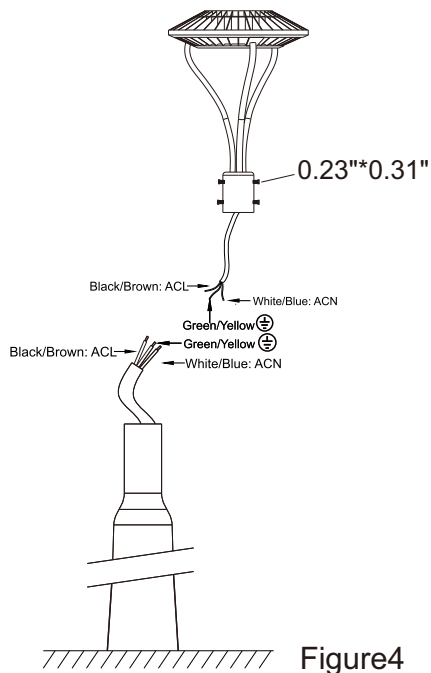


Figure 4

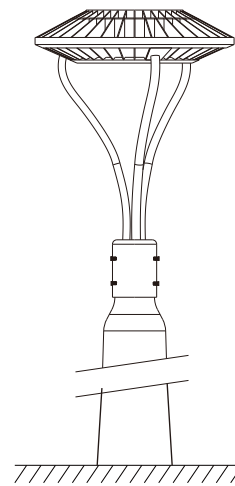


Figure 5