

V1 Full Cut-Off LED WallPack



Date:..... Location:

Product:..... Project:.....

Quantity:..... Catalog#

FEATURES

- Built in Photocell options
- Easy installation.
- Wet location rated IP65.
- Durable die-cast aluminum housing.
- UV-resistant polycarbonate refractor lens.
- Typelll distribution optics standard

SUITABLE APPLICATIONS

- Warehouses
- Factories
- Shopping Malls
- Supermarkets
- Logistic Centers

CONSTRUCTION:

Heavy die-cast aluminum alloy housing with bronze powder-coated finish. High light transmittance PC lens.

ELECTRICAL:

Available as 120-277V input. -30°C to 45°C

OPTICAL SYSTEM:

High brightness Lumileds 3030LED chips. Full Cutoff illumination

INSTALLATION&MOUNTING:

Wall Mounting with quick mount back plate for easy installation.

WARRANTY:

5-year limited warranty. Actual performance may differ as a result of end-user environment and application.

CONTROLS&DIMMING

0-10V dimming comes standard. Photocell is included.

PERFORMANCE

Model NO	Photocell Control	PF	Voltage/CurrentInput		BUG	Kelvin Options
			120V	277V		
AST-FWP01B-80D5BYT3SA1	3fcON/ 13fc OFF	>90	0.66A	0.28A	B3-U3-G1	3000K/4000K/5000K
AST-FWP01B-100D5BYT3SA1	3fc ON/ 13fc OFF	>90	0.83A	0.36A	B3-U2-G2	3000K/4000K/5000K

V1 Full Cut-Off LED Wall Pack

Electric Characteristic

Specification/Model	AST-FWP01B-80D5BYT3SA1	AST-FWP01B-100D5BYT3SA1
LED Driver	UL listed Daermay Brand 0-10V dimmable	
Input power	80W	100W
Lumens output	11200LM	14000LM
Efficiency	140LM/W	140LM/W
CRI	>80	>80
Color Temperature	5000K	5000K
Input voltage	120-277V/AC	120-277V/AC
Light distribution type	Type III	Type III
Working temperature	-30+45°C	-30+45°C
Junction temperature	<75°C	<75°C
lamps efficiency	≥90%	≥90%
Certificate	UL CUL DLC	UL CUL DLC
Equivalent	160-250W MH/HPS	200-300W MH/HPS

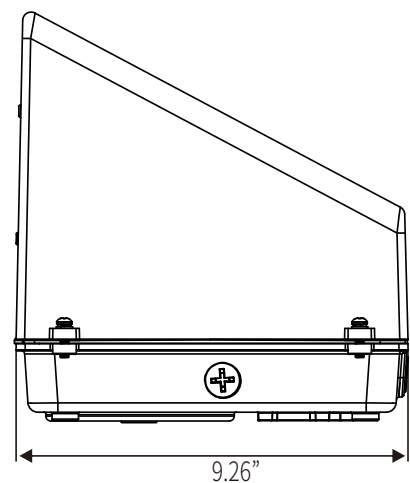
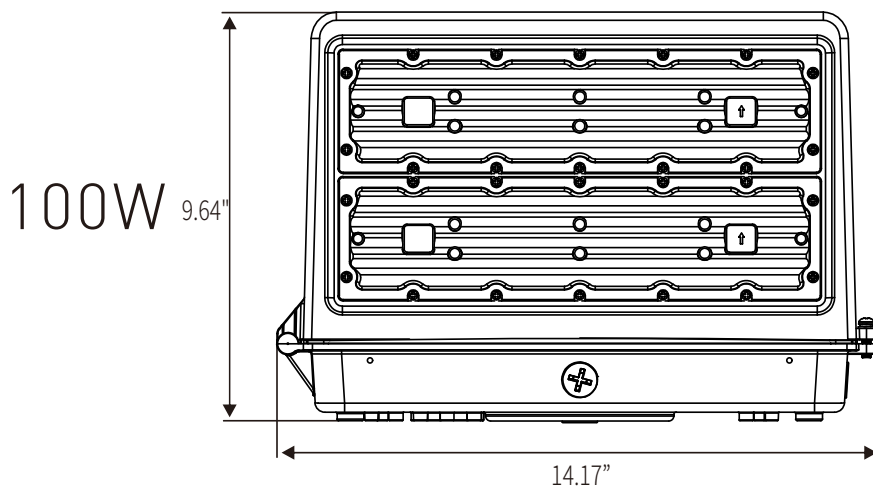
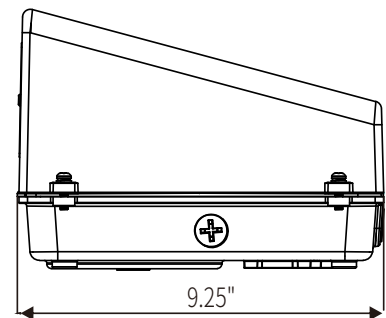
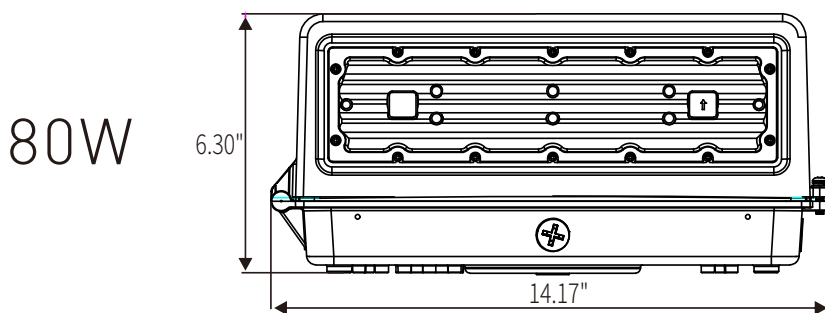
PRODUCT ORDERING GUIDE

AST-FWP01B-80D5BYT3SA1

1 2 3 4 5 6 6
 [ATS]-[FWP01B]-[80][D5][BY][T3]S[30W]

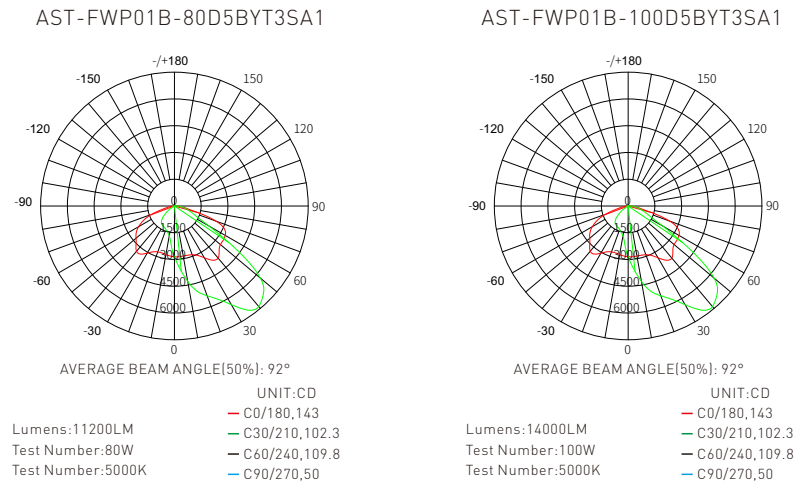
- ATS Company name
- FWP01B LED Full-Cutoff Wall Pack
- 80 Rating Power
- D5 Driver manufacturer, Daermay
- BY LED manufacturer, Lumileds
- T3 Diffuser light angle type, TYPE III
- A1 Version number

DIMENSION



V1 Full Cut-Off LED Wall Pack

DISTRIBUTION DIAGRAM



LED Full Cutoff Wall Pack Instruction

Application:

Available in tunnel (except for motor vehicle tunnel), workshop, warehouse, factory, house, building exterior, etc.

Caution:

1. Can not use the electric generator to test the LED light ;
2. Please abide by related country, regional and local law and regulations when install this fixture;
3. Please don't install the fixture when raining to lower the risk of electric shock and avoid the failure.

Note:

1. To avoid possibility of electrical shock or fire, the installation personnel must have professional electric knowledge;
2. Please wear gloves to avoid injury before installation;
3. If any smoke or spark of the wire happened, please turn off the power immediately and notify relevant personnel;
4. This fixture is available in outdoor usage, but the distance from fixture to ground should be more than 2m.

The installation of the product can be used when it is marked with "V".

Installation I :

1. Take out the fixture, and loosen the screws on the cover and take apart the fixture by the screwdriver. Pull off the quick connect terminal vigorously. (Fig. 1-1A&B)

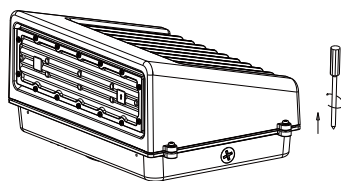


Fig. 1-1A

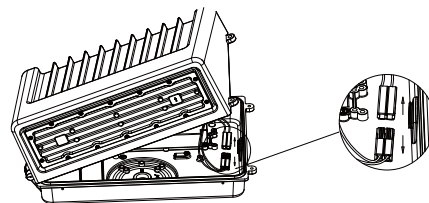


Fig. 1-1B

V1 Full Cut-Off LED Wall Pack

2. Drill an installation hole at the bottom of fixture, paste the EVA mat. (Fig. 1-2A&B)

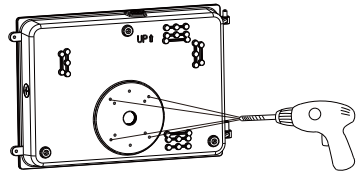


Fig. 1-2A

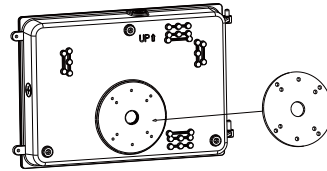


Fig. 1-2B

3. Loosen the plug on the bottom plate, then put the wiring through the hole, screw the bottom cover with junction box on the wall. (Fig. 1-3A&B)

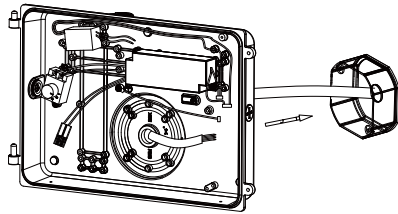


Fig. 1-3A

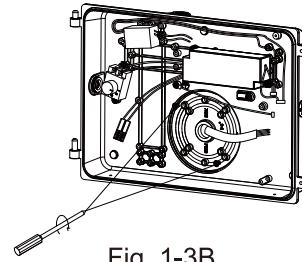


Fig. 1-3B

4. Make wiring connections per "Electrical Connections" section and make sure the good wire protection. (Fig. 1-4)

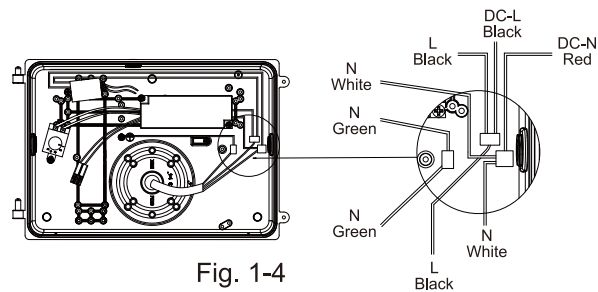


Fig. 1-4

5. Connect the quick connect terminal, then screw the fixture with bottom plate. (Fig. 1-5A&B)

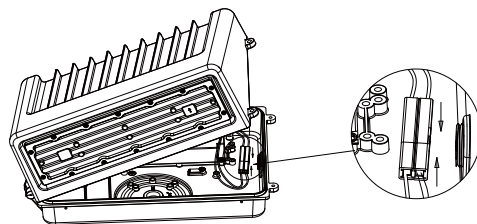


Fig. 1-5A

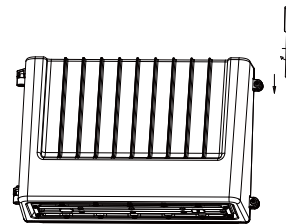


Fig. 1-5B

V1 Full Cut-Off LED Wall Pack

□ Installation II:

1. Take out the light, and loosen the screws on the cover and take apart the fixture by the screwdriver. Pull off the quick connect terminal vigorously. (Fig.2-1A&B)

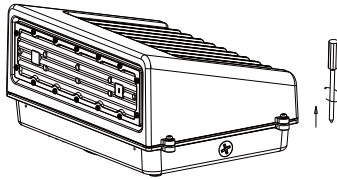


Fig. 2-1A

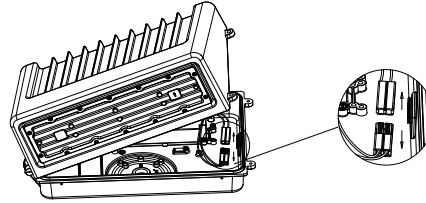


Fig. 2-1B

2. Rotate the three mounting kits to the proper angle. Put the fixture on the wall, make three marks according to the three mounting kits, then drill three holes for them. (Fig.2-2A)

Get rubber plugs into the holes, match the three mounting kits to the rubber plugs, then fix the fixture on the wall by screws with the spring washer and plain cushion. (Fig. 2-2B&C)

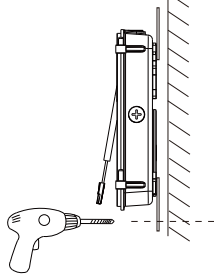


Fig. 2-2A

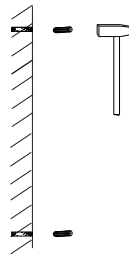


Fig. 2-2B

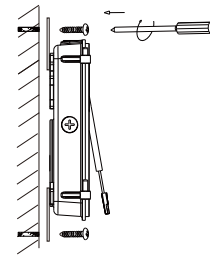


Fig. 2-2C

3. Make wiring connection from side and go through isolation treatment; Tighten the pipe on the luminaire. (Fig.2-3A&B)

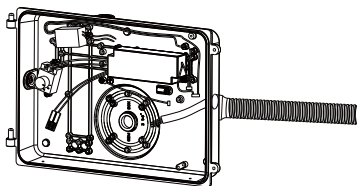


Fig. 2-3A

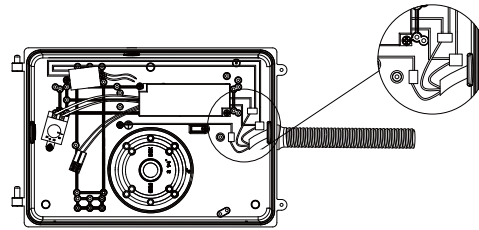


Fig. 2-3B

4. Connect the quick connect terminal, then screw the fixture with bottom plate (Fig. 2-4A&B).

Standard wire:

L/live wire: Black/Brown;

N/null wire: White/Blue;

Ground wire: Green/Yellow-green;

DIM+: Purple;

DIM-: Pink.

DC ACL: Black

DC ACN: Red

DC 12+: Red

DC 12+: Black

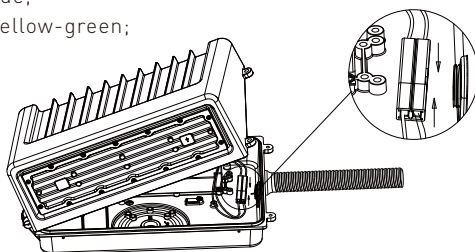


Fig. 2-4A

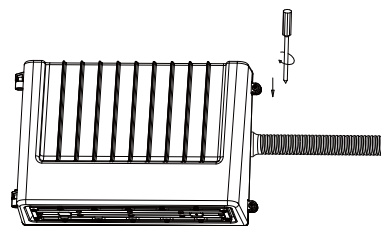


Fig. 2-4B