

LED Grow Light

Product Description

Grow light provide a bright and flexible rack lighting solution to maximizes the grow space and better quality, create the most advanced spectrum for plant growth, Whether growing cannabis, food or ornamental plants, the grow light was designed for single or multi-tier growers who want to optimize their grow space for the maximum crop yield while producing the highest quality crops.



Advantage

1. Full spectrum with enhanced red for full grows.
2. Efficacy is up to $2.7 \mu \text{ mol/J}$.
3. Easy to install, just plug and play.
4. Using UL certified driver designed and manufactured by Sosen;
5. Using Samsung LM301b & Osram LED Chip.



Applications

Grow Lighting.

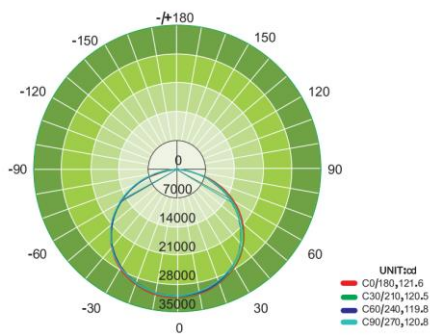


LED Grow Light

Specifications

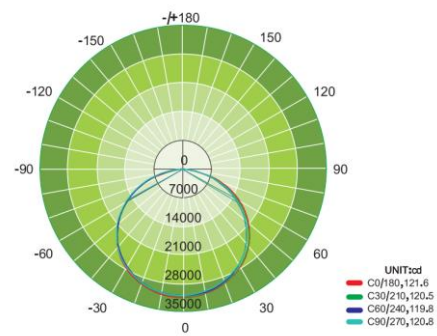
Model No.	LSMB2-660W-Compact	LSMB2-720W
Input Power	660W	720W
PPF	1782 $\mu\text{mol/s}$	1944 $\mu\text{mol/s}$
Efficacy	2.7 $\mu\text{mol/J}$	2.7 $\mu\text{mol/J}$
Weight	24lbs/10kg	26.46lbs/12kg
Spectrum	V1 F1 E1 T1	
AC Input Voltage	120-277V AC, 347-480V AC, 50/60Hz	
Mounting Height	$\geq 6''$ (15.2cm) Above Canopy	
Viewing Angle	130°	
Thermal Management	Passive	
Max. Ambient Temperature	90°F/35°C	
Dimming	0-10V Dimmable	
Total Harmonic Distortion (THD)	< 15%	
Warranty	5 years	

Photometrics



AVERAGE BEAM ANGLE(50%):120.7 DEG

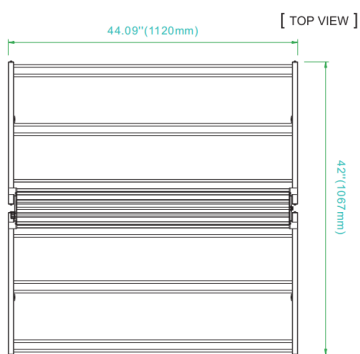
660W



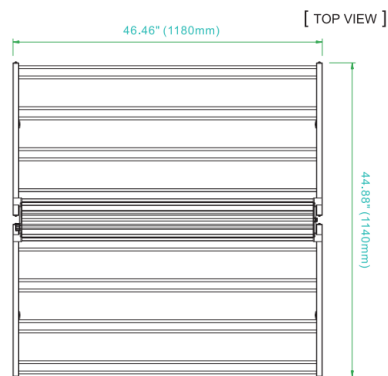
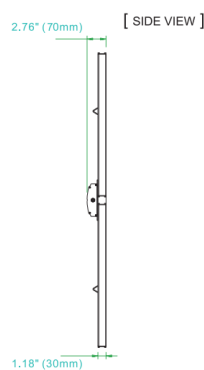
AVERAGE BEAM ANGLE(50%):120.7 DEG

720W

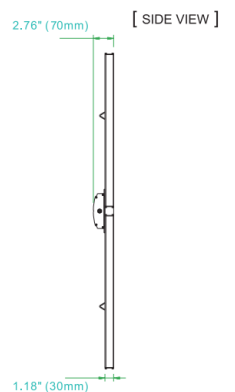
Dimensions



660W

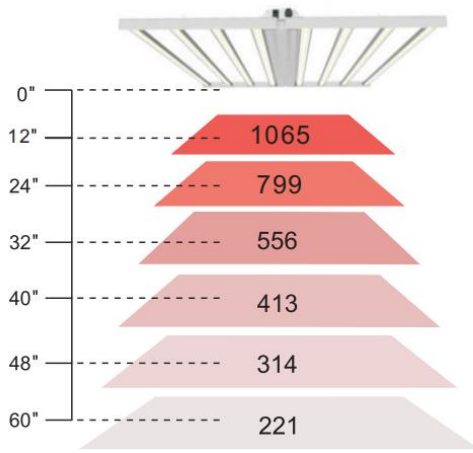


720W

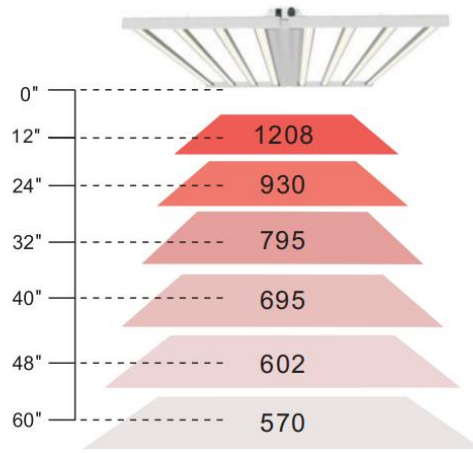


LED Grow Light

Par Value (2.7 $\mu\text{mol}/\text{m}^2/\text{s}$)



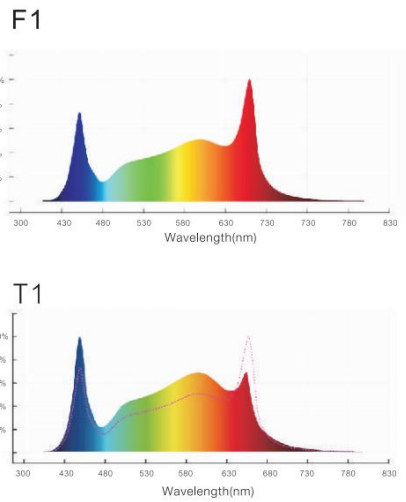
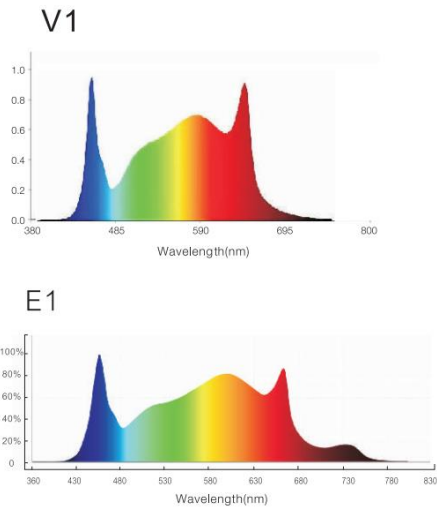
MB2 660W 2.7 $\mu\text{mol}/\text{J}$



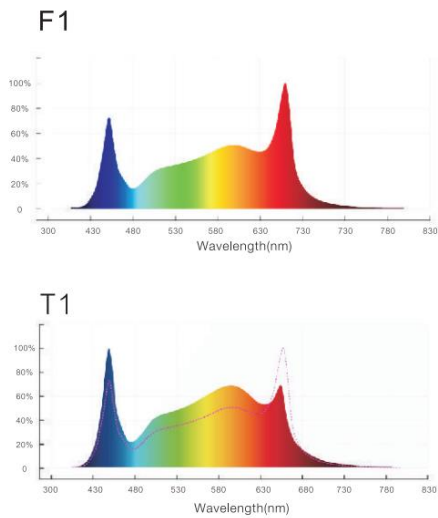
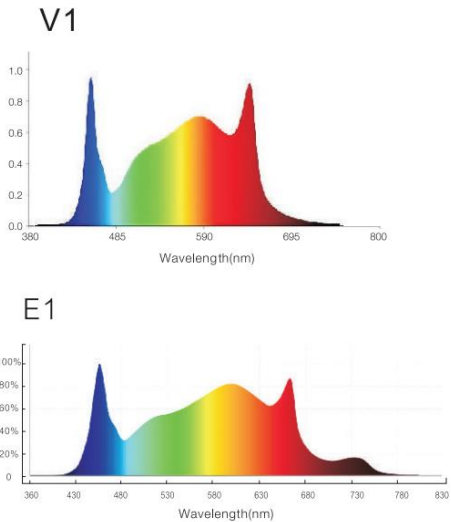
MB2 720W 2.7 $\mu\text{mol}/\text{J}$

Spectra

1. 660W

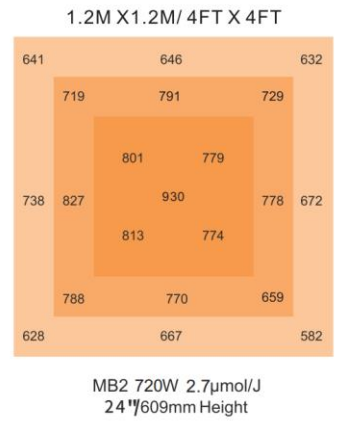
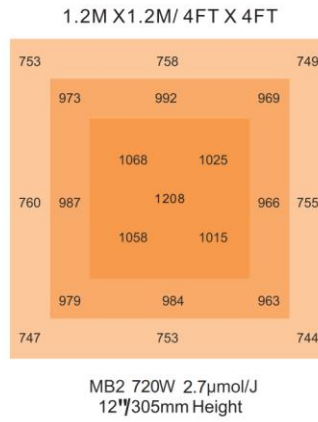
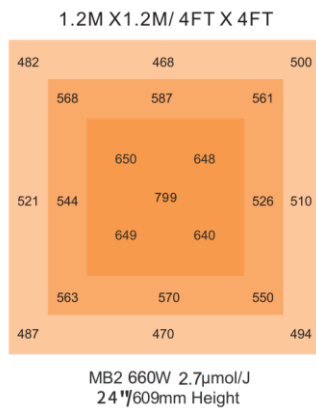
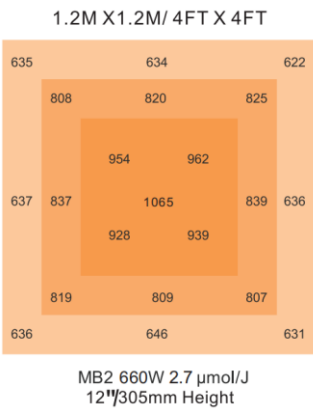


2. 720W



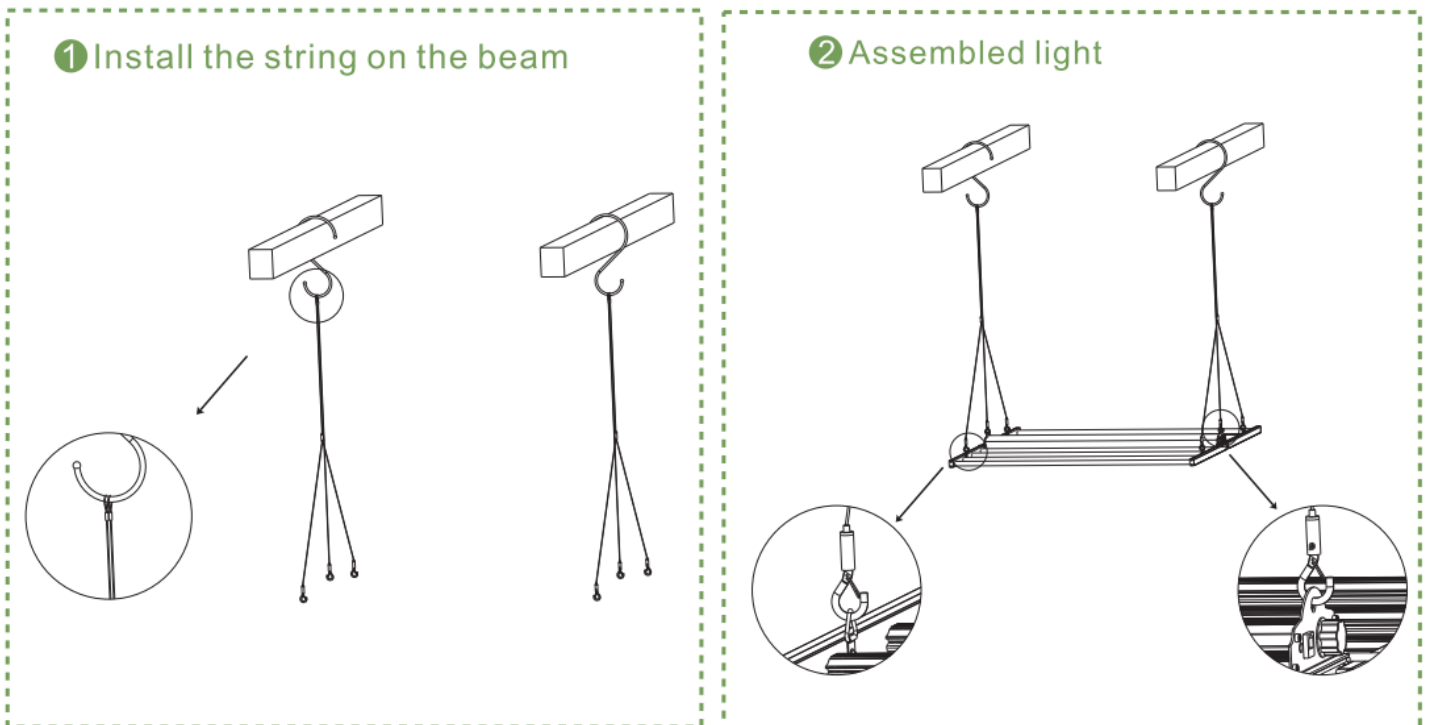
LED Grow Light

PPFD Distribution



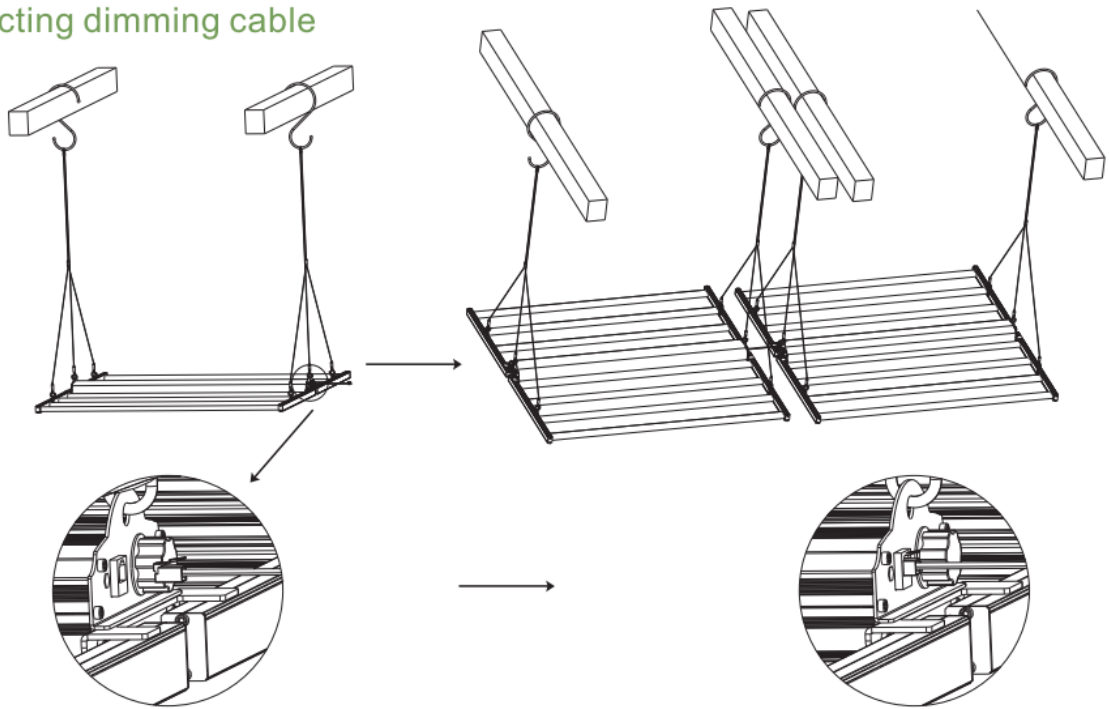
Installation steps:

The Osram red chips are fragile, please don't touch it !



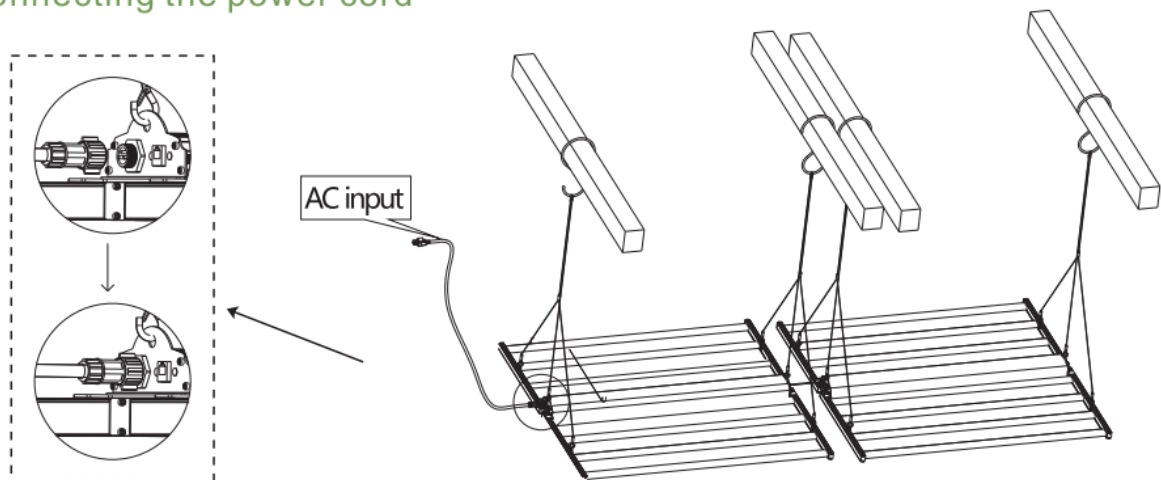
LED Grow Light

③ Connecting dimming cable



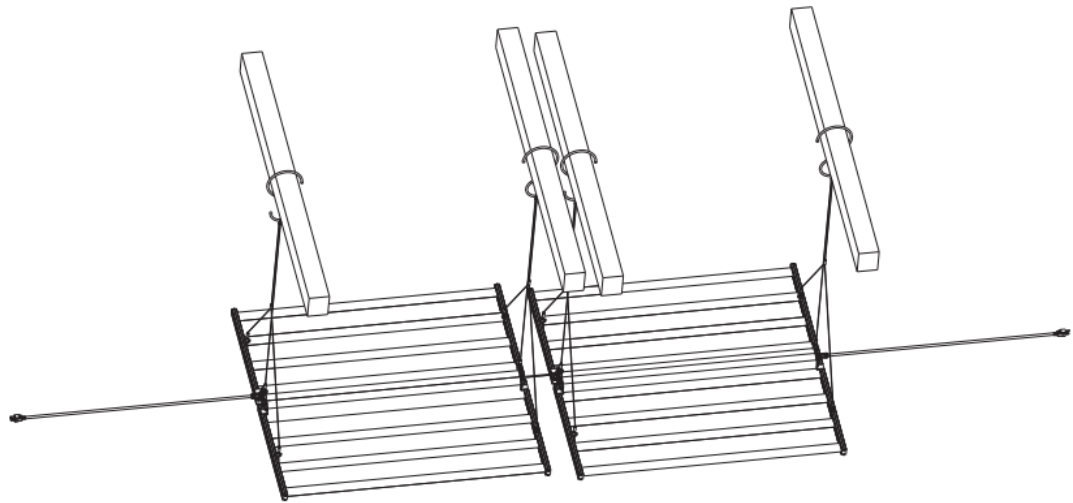
The connections of the second light refers to the first light

④ Connecting the power cord



LED Grow Light

5 All set



Notice For User

- ◆ Please turn off power before install or change assembly parts.
- ◆ The input voltage and lamps should be matched, after connecting the power line, Please make sure the wiring section is insulated.
- ◆ No-professionals, must not install and disassemble the lamps.

Trouble Shootings

Troubles	Check points
Flickering of the light	Turn off the power and turn on again in 3 minutes. If same phenomena occur, then call agencies.
Out of working	Please check the connection.