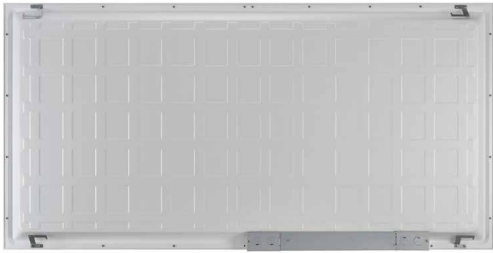
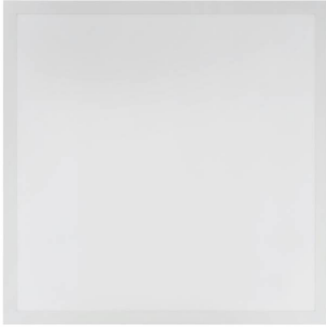


Backlit LED Panel Light



Date: Location:

Product: Project:

Quantity: Catalog#

FEATURES

- Both Power and CCT adjustable.
- Easy install by Recessed or surface mounts.
- Built-in junction box Fits standard T-grid ceilings
- Optical lenses over LED chip, pc cover never yellow over time.
- 50,000hours Life time.

SUITABLE APPLICATIONS

- Office Lighting
- Meeting room lighting
- Store lighting
- Restaurant lighting

CONSTRUCTION:

Quality white Aluminum heatsink and high transmission PC cover.

ELECTRICAL:

Available as 120-277V input. -25°C to45°C.

OPTICAL SYSTEM:

High brightness lumileds LED chips as backlit lighting solution.

INSTALLATION&MOUNTING:

Suspended Ceiling Mounting/ Frame Flash Mounting

WARRANTY:

5-year limited warranty. Actual performance maydiffer as a result of end-user environment and.application.

PERFORMANCE

Model NO	SIZE	Wattage	Voltage	Light Efficiency	Kelvin Options
LS-PL22-M40W-CCT-VL	2X2	40W/30W/25W/20W/15W	100-277V	130LM/W	3500K/4000K/5000K/5700K/6500K
LS-PL24-M72W-CCT	2X4	72W/60W/50W/40W/30W	100-277V	130LM/W	3500K/4000K/5000K/5700K/6500K

Backlit LED Panel Light

Electric Characteristic

Specification/Model	LS-PL22-M40W-CCT-VL	LS-PL24-M72W-CCT
LED Driver	UL listed Brand 0-10 dimmable	
Input power tunable	40W/30W/25W/20W/15W	72W/60W/50W/40W/30W
Lumens output	5200LM/3900LM/3250LM/2600LM/1950LM	9360LM/7800LM/6500LM/5200LM/3900LM
Efficiency	130LM/W	130LM/W
CRI	80	>80
Color Temperature	3500K/4000K/5000K /5700K/6500K	
Input voltage	120-277V/AC	120-277V/AC
Light distribution type	110D	110D
Working temperature	-25+45°C	-25+45°C
Junction temperature	<75°C	<75°C
lamps efficiency	≥90%	≥90%
Certificate	ETL CETL DLC	ETL CETL DLC
Equivalent	36-110W MH/HPS	36-110W MH/HPS

OPTIONAL ACCESSORIES



Emergency Battery Backup. Style LSED20W

2x2/1x4 size

15W 20W 25W 30W 40W 3500K 4000K 5000K 5700K 6500K



Power

CCT

30W 40W 50W 60W 72W 3500K 4000K 5000K 5700K 6500K



Power

CCT

The lamps have the function of adjusting power and color temperature

PRODUCT ORDERING GUIDE

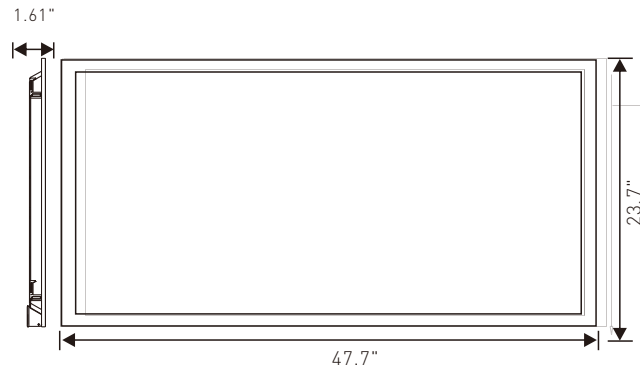
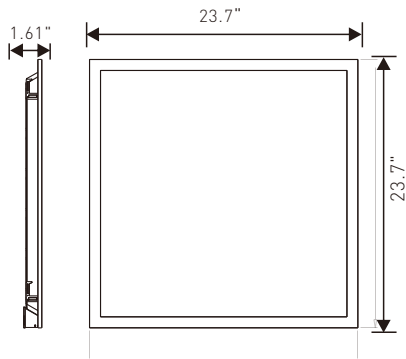
LS-PL22-M40W-CCT-VL
1 2 3 4 5

LS PL22 M40W CCT VL

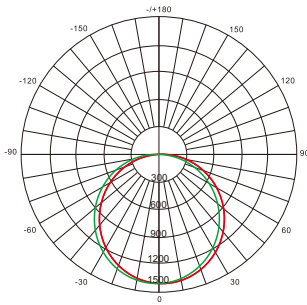
- LS Companyname
- PL22 2*2LED Panel Light
- M40W Watt tunable40W
- CCT CCT tunable
- VT 120-277V
- HT 120-347V

Backlit LED Panel Light

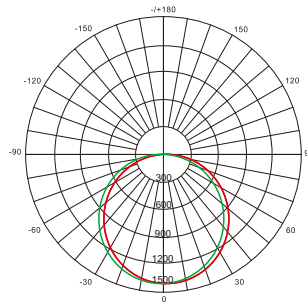
Electric Characteristic



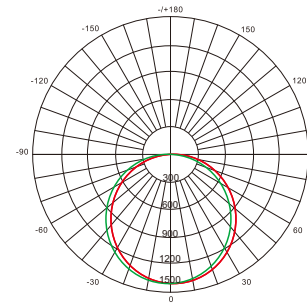
DISTRIBUTION DIAGRAM



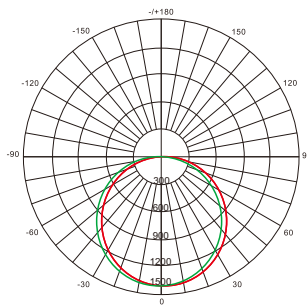
AVERAGE BEAM ANGLE(50%): 110°
 UNIT:CD
 Lumens:1950LM
 Test Number:15W
 Test Number:5000K
 — C0/180,110.9
 — C30/210,110.5
 — C60/240,109.3
 — C90/270,109.1



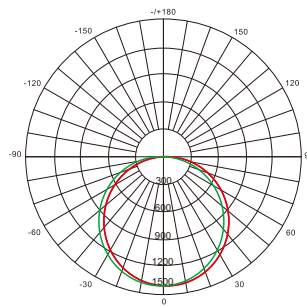
AVERAGE BEAM ANGLE(50%): 110°
 UNIT:CD
 Lumens:2600LM
 Test Number:20W
 Test Number:5000K
 — C0/180,110.9
 — C30/210,110.5
 — C60/240,109.3
 — C90/270,109.1



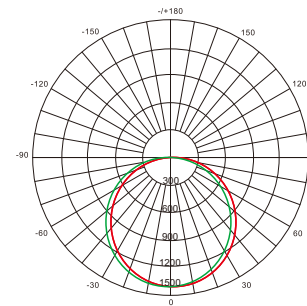
AVERAGE BEAM ANGLE(50%): 110°
 UNIT:CD
 Lumens:3250LM
 Test Number:25W
 Test Number:5000K
 — C0/180,110.9
 — C30/210,110.5
 — C60/240,109.3
 — C90/270,109.1



AVERAGE BEAM ANGLE(50%): 110°
 UNIT:CD
 Lumens:3900LM
 Test Number:30W
 Test Number:5000K
 — C0/180,110.9
 — C30/210,110.5
 — C60/240,109.3
 — C90/270,109.1

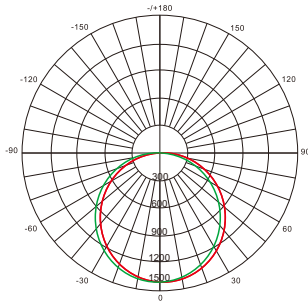


AVERAGE BEAM ANGLE(50%): 110°
 UNIT:CD
 Lumens:5200LM
 Test Number:40W
 Test Number:5000K
 — C0/180,110.9
 — C30/210,110.5
 — C60/240,109.3
 — C90/270,109.1



AVERAGE BEAM ANGLE(50%): 110°
 UNIT:CD
 Lumens:6500LM
 Test Number:50W
 Test Number:5000K
 — C0/180,110.9
 — C30/210,110.5
 — C60/240,109.3
 — C90/270,109.1

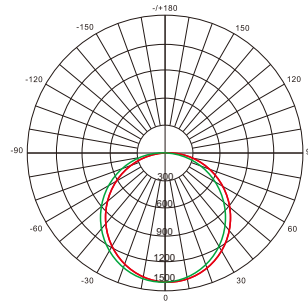
Backlit LED Panel Light



AVERAGE BEAM ANGLE(50%): 110°

Lumens:7800LM
Test Number:60W
Test Number:5000K

UNIT:CD
- C0/180,110.9
- C30/210,110.5
- C60/240,109.3
- C90/270,109.1

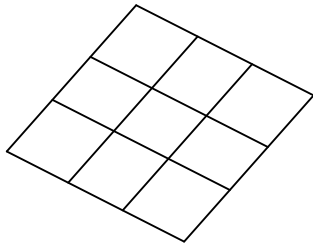


AVERAGE BEAM ANGLE(50%): 110°

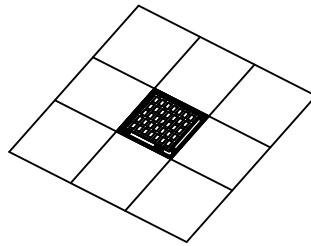
Lumens:9360LM
Test Number:72W
Test Number:5000K

UNIT:CD
- C0/180,110.9
- C30/210,110.5
- C60/240,109.3
- C90/270,109.1

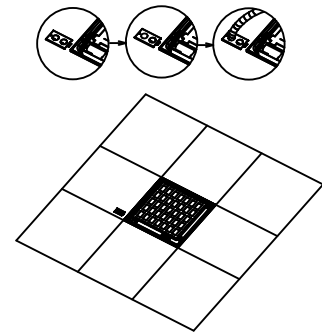
Install instruction



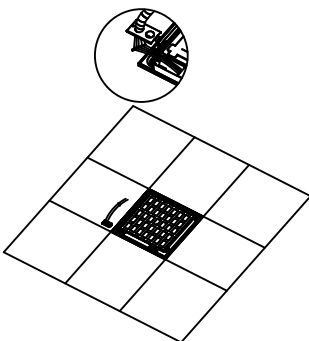
STEP 1: Remove boards as drawing



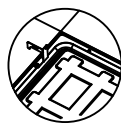
STEP 2: Put the lamp on the ceiling



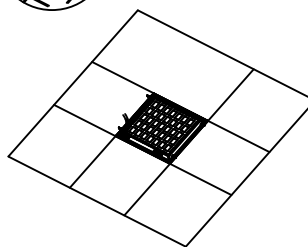
STEP 3: Open the cover of junction box with tool knock off the piece of top Install serpentine coil in junction box



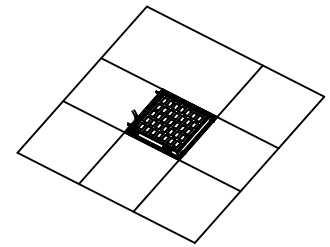
STEP 4: Connect wires with P2 P3 nuts
Refer the wiring diagram



T-bar clips should be bent out to provide additional safety and support.



STEP 5: Lock the lamp on frameworks



STEP 6: Put the board back; and check again