

Selectable LED Slim Adjustable Wall Pack

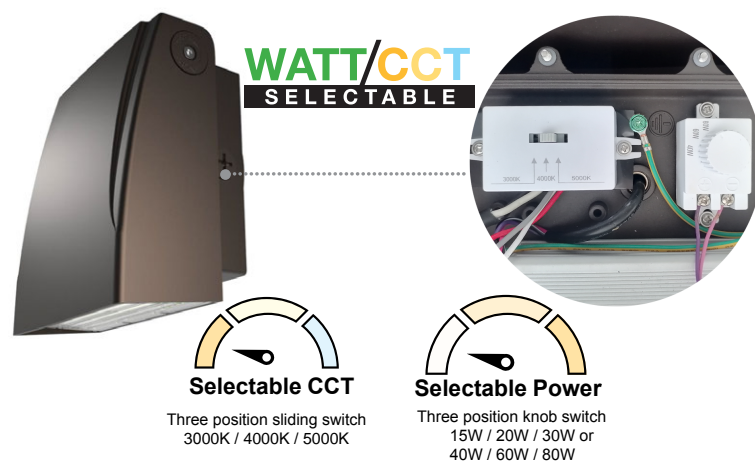
Wattages: 15W, 20W, 30W ; 40W, 60W, 80W

Selectable LED Slim Adjustable Wall Pack series can be widely used in indoor or outdoor lighting (wet location). The head tilts from 0° to 90°. Ideal for mechanical or electronic processing workshops, storage warehouses, steel mills, gas stations, toll booth, waiting rooms, the platforms of railway station, indoor stadiums.



FEATURES

- Lumileds LED, high luminous efficiency and long working life.
- High efficiency LED Driver, the wide range input voltage AC120-277V/AC.
- Excellent optics design, greatly improve the light utilization and evenness.
- Cast Aluminum design, better cooling, light quality, LED Tj < 85°C.
- Photocell control available (Standard)
- 1-10V Dimming.

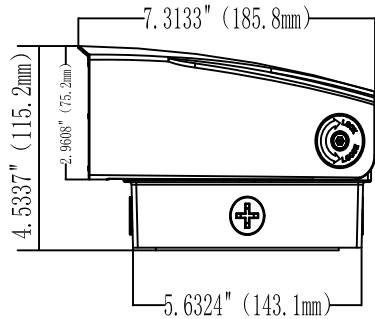


SPECIFICATION		
WATTAGE	WSD-SWP152030W27-345K-D-P	WSD-SWP468W27-345K-D-P
LUMEN	3750lm(30W&3000K)/4200lm(30W&4000K)/4050lm(30W&5000K)	10000lm(80W&3000K)/11200lm(80W&4000K)/10800lm(80W&5000K)
EFFICACY	>130 lm/W	
CCT	3000K,4000K,5000K	
CRI	80	
INPUT VOLTAGE	120-277V	
POWER FACTOR	0.90	
DRIVER EFFICACY	90%	
FACTORY SETTINGS	30W & 4000K	80W & 4000K
LIGHT ANGLE	90°	
LIFE SPAN	50,000 hrs	
WORKING TEMPERATURE	-22°F ~ 113°F	
STORAGE TEMPERATURE	-40°F ~ 176°F	
OUTDOOR RATING	WET	
CABLE	Input Connect, No cable	
WARRANTY	5 year limited	

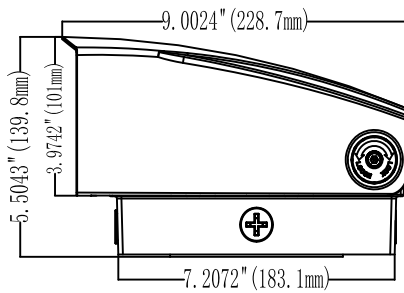
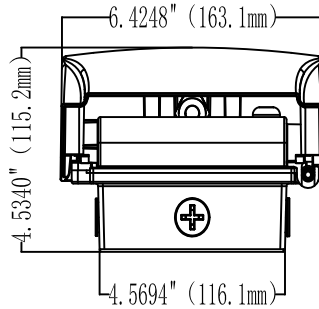
Selectable LED Slim Adjustable Wall Pack

Wattages: 15W, 20W, 30W; 40W, 60W, 80W

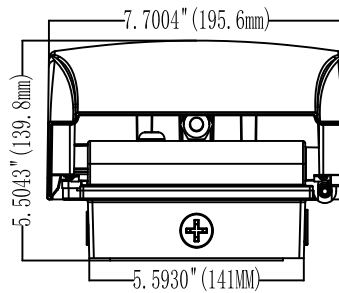
DIMENSION:



15-30W



40-80W



WATTAGE	WSD-SWP152030W27-345K-D
NT. WEIGHT	2.99 lbs
BOX DIM.	8.5" x 8.35" x 6.85"(1Pcs/CTN)
	17.6" x 17.28" x 14.49"(8Pcs/CTN)

WATTAGE	WSD-SWP468W27-345K-D
NT. WEIGHT	4.85 lbs
BOX DIM.	10.2" x 9.72" x 7.4"(1Pcs/CTN)
	20.04" x 10.79" x 15.59"(4Pcs/CTN)

ORDERING INFORMATION

EXAMPLE:

WSD-SWP152030W27-345K-Z[D,W,B,S]-Y[Blank,P] / WSD-SWP468W27-345K-Z[D,W,B,S]-Y[Blank,P]

WSD	SWP	152030W	27	345K	Z	Y
COMPANY	PRODUCT	WATTAGE	VOLTAGE	CCT	FINISH	CONTROL
WSD LED INC	SWP Slim Adjustable Wall Pack	15W - (15W) 20W - (20W) 30W - (30W) 4W - (40W) 6W - (60W) 8W - (80W)	27 (AC120-277V)	3K - (3000K) 4K - (4000K) 5K - (5000K)	D - (Dark Bronze) W - (White) B - (Black) S - (Silver)	P - (Photocell)

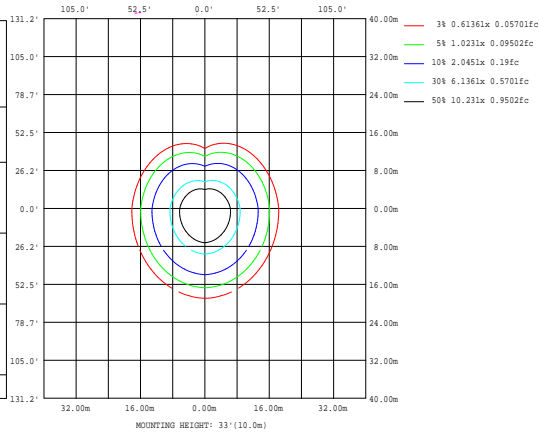
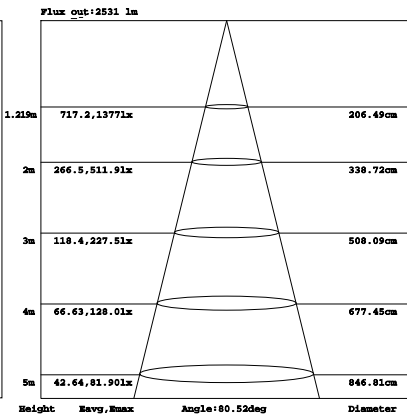
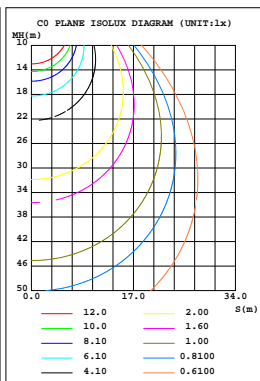
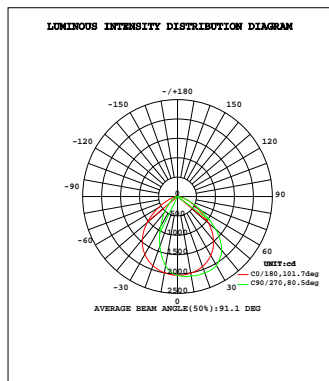
Selectable LED Slim Adjustable Wall Pack

Wattages: 15W, 20W, 30W ; 40W, 60W, 80W

PHOTOMETRICS

For complete IES files, please visit our website.

WSD-SWP152030W27-345K (30W&4000K)



WSD-SWP468W27-345K (80W&4000K)

